



Ella Wheelchair ADA Shower Base 62" x 38" Center Drain



MODEL

ELB 6238 BF .75 C-WH

Outside Dimensions: 38 1/4" W x 62 7/16" L x 4 1/2" H.
Shipping Weight: 195 Crated.

Package Options:

- 24" Grab Bar
- 36" Grab Bar
- 42" Grab Bar
- 24" Chrome Linear Grab Bar
- 36" Chrome Linear Grab Bar
- 42" Chrome linear Grab Bar
- Seat-Padded 32" x 21" with Fold Down Legs
- Slide Bar/Hand Held Shower
- Premium Anti-Bacterial Nylon Weighted Shower Curtain (Off-White)
- Curtain Rod-Stainless Steel
- Collapsible Dam with Horizontal Endcaps-White (for Barrier Free models)
- Collapsible Dam with Vertical Endcaps

Features:

- White Applied Acrylic
- Self-Supporting & Pre-leveled Base
- Belveled Barrier Free Entry
- No Recess Required
- Textured Slip-Resistant Floor
- Lifetime Warranty

Accessories:

2" Chrome Strainer, Brass Drain with Friction Seal

Codes:



Code compliant when fully equipped and installed according to guidelines.



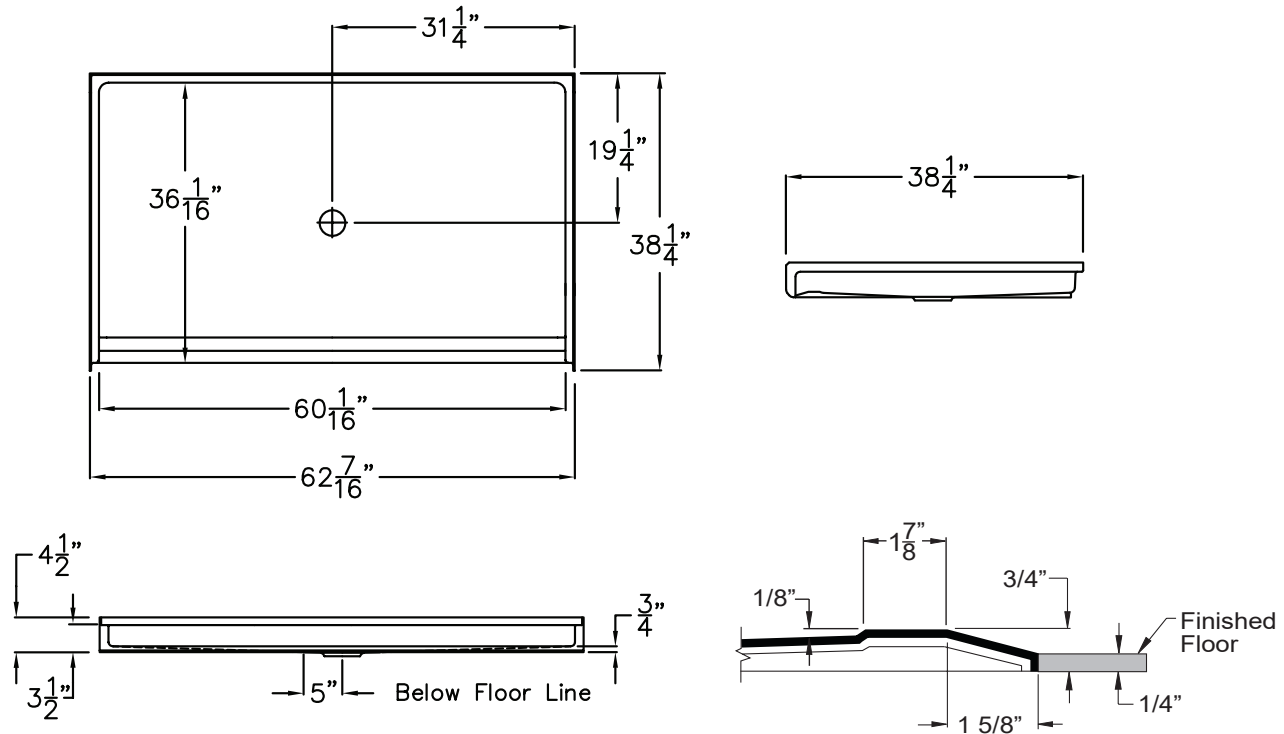
2" Chrome Strainer
Brass Drain with Friction Seal



Manufactured in the United States of America

Ella Wheelchair ADA Shower Base

62" x 38" Center Drain



FEATURES: Dimensional Tolerance $\pm 1/8$ " Dimensions needed for site preparation should be measured from the unit. Ellas Bubbles assumes no responsibility for prep work.

Model #	Material	Wall Finish	Pieces	Pkg. Wt. w/ Crating lbs.
ELB 6238 BF .75 C-WH	AcrylX™	N/A	1	190

DIMENSIONS

Specifications	Inches
Width:	62 ⁷ / ₁₆
Depth:	38 ¹ / ₄
Height:	4 ¹ / ₂

FRAMING DIMENSIONS

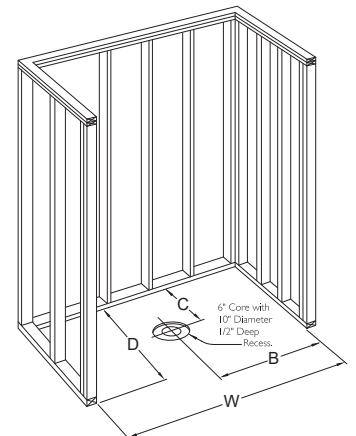
Type	D Depth	W Width	H Height	A	B	C
Alcove	38 ¹ / ₄	62 ³ / ₄	=	Box Out	31 ³ / ₈	19 ¹ / ₄

Discover more products and additional information at

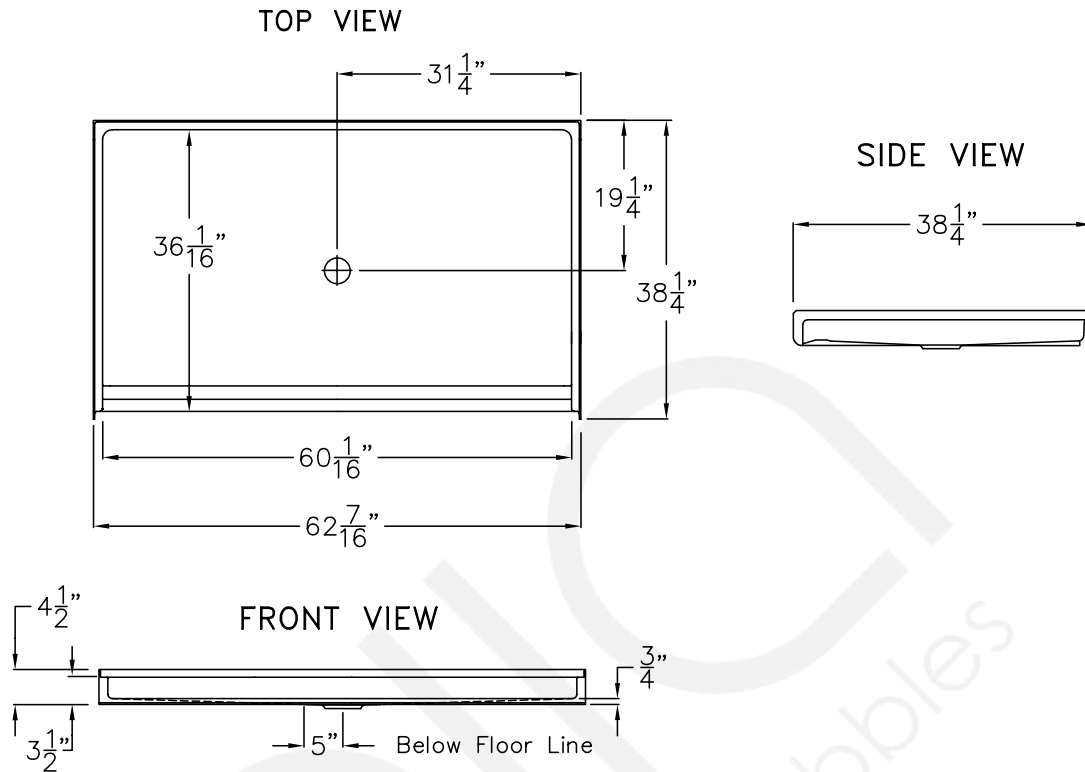
ellasbubbles.com

Toll Free: 800-480-6850

Office Direct: 312-666-3552



Ella Wheelchair ADA Shower Base 62" x 38" Center Drain



Ella Wheelchair ADA Shower Base 62" x 38" Center Drain

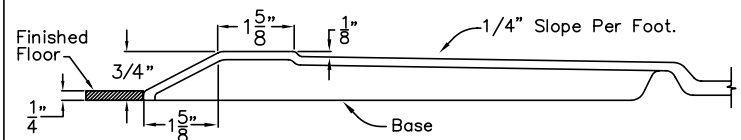
The shower enclosure shall be 6238 BF .75" Pan Center Drain. Finished surface shall be of a sanitary-grade Applied Acrylic exhibiting a minimal thickness of 15 dry mils, and a finished cured Barcoal hardness of 80-90 as tested with ASTM D-2583.

Unit construction shall be of molded reinforced fiberglass with a minimum fiberglass content. The unit shall have outside dimensions of 62 7/16" x 38 1/4" x 4 1/2". The Acrylic pan shall meet ANSI Z124.2, IPC, UPC, ADA, MAS, TAS and comply with CSA.

The enclosure shall be equipped with the following installed accessories:

- 1) Low entry 3/4" Threshold.
- 2) Center Drain Location.
- 3) Integral self-sustaining bottom.

Detail of 3/4" Threshold



DUE TO THE NATURE OF THE MATERIALS INVOLVED
UNIT DIMENSIONS MAY VARY +/- 1/2" INCH.