



Ella Wheelchair Accessible Shower Base 54" x 30" Left or Right Drain



MODEL

ELB 5430 BF 1.0 L-R-WH

Outside Dimensions: 31" W x 54" L x 4 1/4" H.
Shipping Weight: 185 Crated.

Package Options:

- 24" Grab Bar
- 36" Grab Bar
- 42" Grab Bar
- 24" Chrome Linear Grab Bar
- 36" Chrome Linear Grab Bar
- 42" Chrome linear Grab Bar
- Seat-Padded 32" x 21" with Fold Down Legs
- Slide Bar/Hand Held Shower
- Premium Anti-Bacterial Nylon Weighted Shower Curtain (Off-White)
- Curtain Rod-Stainless Steel
- Collapsible Dam with Horizontal Endcaps-White (for Barrier Free models)
- Collapsible Dam with Vertical Endcaps

Features:

- White Applied Acrylic
- Self-Supporting & Pre-leveled Base
- Belveled Barrier Free Entry
- No Recess Required
- Textured Slip-Resistant Floor
- Lifetime Warranty

Codes:



Code compliant when fully equipped and installed according to guidelines.



Manufactured in the United States of America

Accessories:

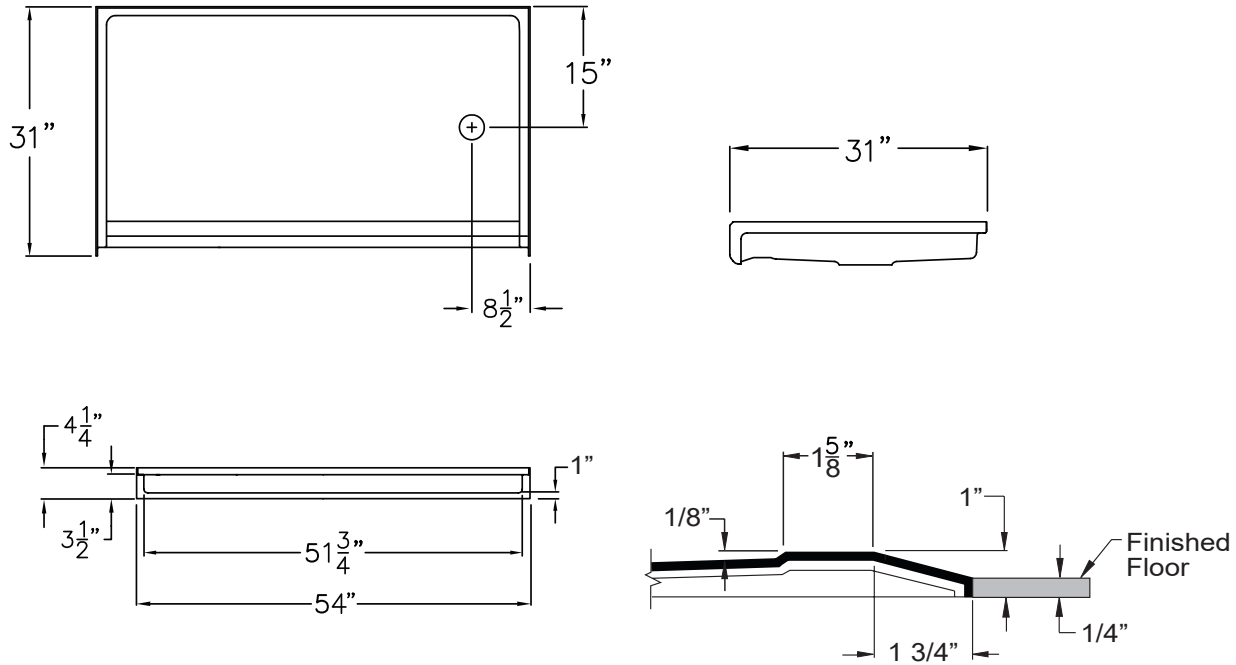
2" Chrome Strainer, Brass Drain with Friction Seal



2" Chrome Strainer
Brass Drain with Friction Seal

Ella Wheelchair Accessible Shower Base

54" x 30" Left or Right Drain



FEATURES: Dimensional Tolerance $\pm 1/8"$ Dimensions needed for site preparation should be measured from the unit. Ellas Bubbles assumes no responsibility for prep work.

Model #	Material	Wall Finish	Pieces	Pkg. Wt. w/ Crating lbs.
ELB 5430 BF 1.0 L-R-WH	AcrylX™	N/A	1	185

DIMENSIONS

Specifications	Inches
Width:	54
Depth:	31
Height:	4 1/4

FRAMING DIMENSIONS

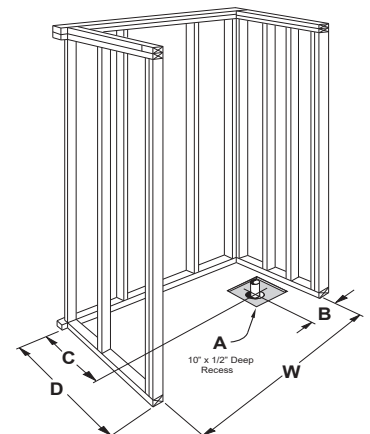
Type	D Depth	W Width	H Height	A	B	C
Alcove	31	54 1/4	=	Box Out	8 1/2	15

Discover more products and additional information at

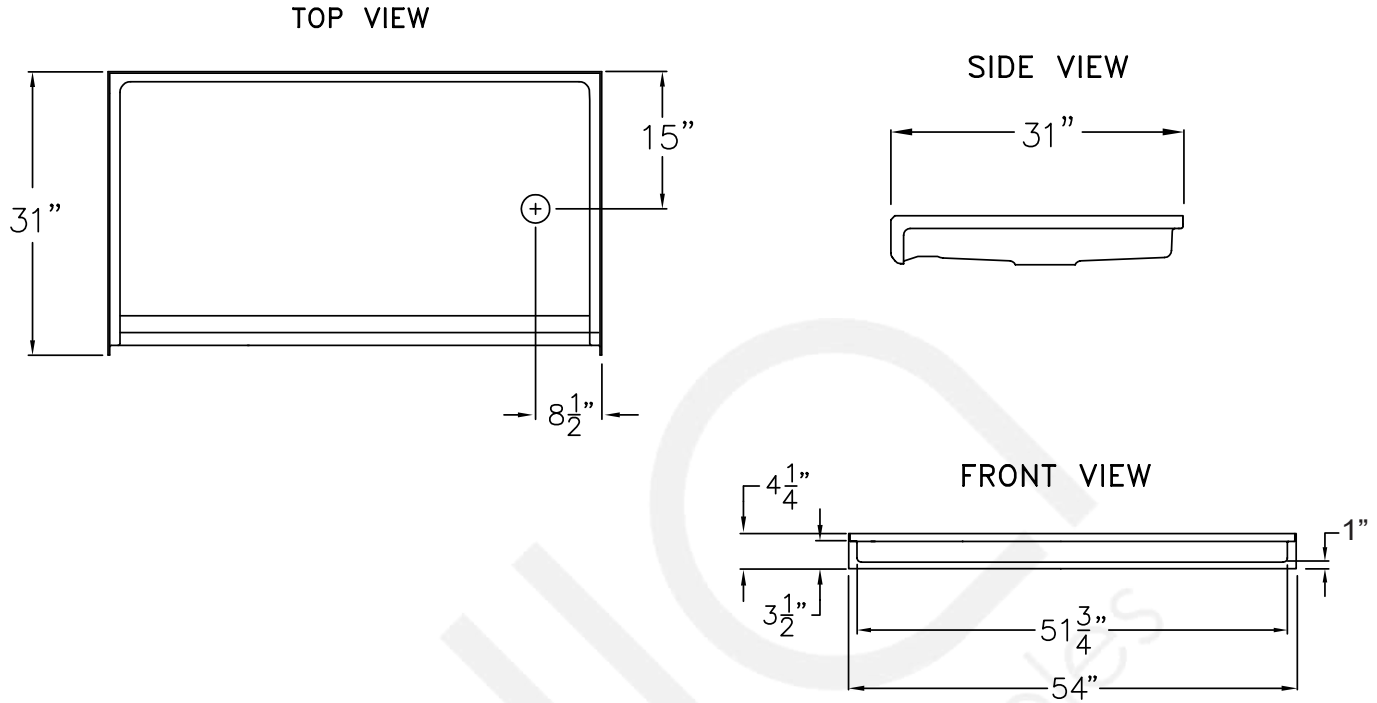
ellabubbles.com

Toll Free: 800-480-6850

Office Direct: 312-666-3552



Ella Wheelchair Accessible Shower Base 54" x 30" Left or Right Drain



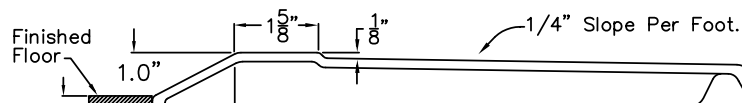
Ella Wheelchair Accessible Shower Base 54" x 30" Left or Right Drain

The shower enclosure shall be 5430 BF 1.0" Pan Left or Right Drain. Finished surface shall be of a sanitary-grade Applied Acrylic exhibiting a minimal thickness of 15 dry mils, and a finished cured Barcoal hardness of 80-90 as tested with ASTM D-2583. Unit construction shall be of molded reinforced fiberglass with a minimum fiberglass content. The unit shall have outside dimensions of 54" x 31" x 4 1/4". The Acrylic pan shall meet ANSI Z124.2, IPC, UPC, and comply with CSA.

The enclosure shall be equipped with the following installed accessories:

- 1) Low entry 1.0" Threshold.
- 2) Left or Right Drain Location.
- 3) Integral self-sustaining bottom.

Detail of 1.0" Threshold



DUE TO THE NATURE OF THE MATERIALS INVOLVED
UNIT DIMENSIONS MAY VARY +/- 1/2" INCH.