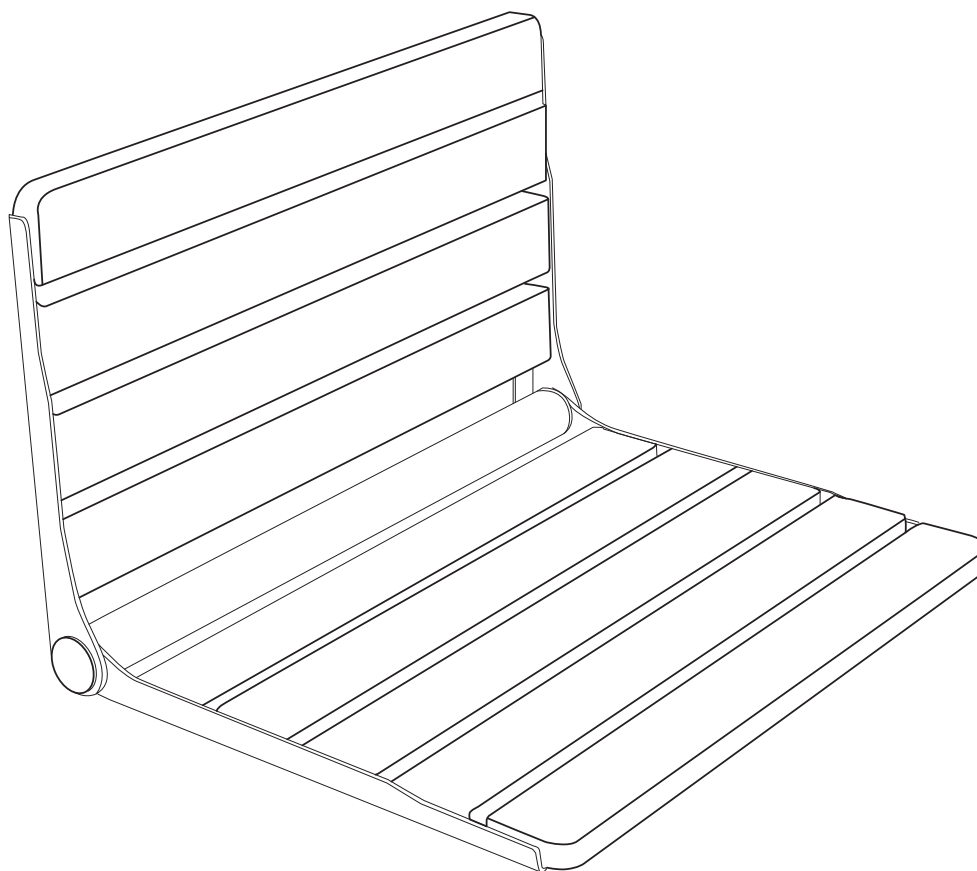
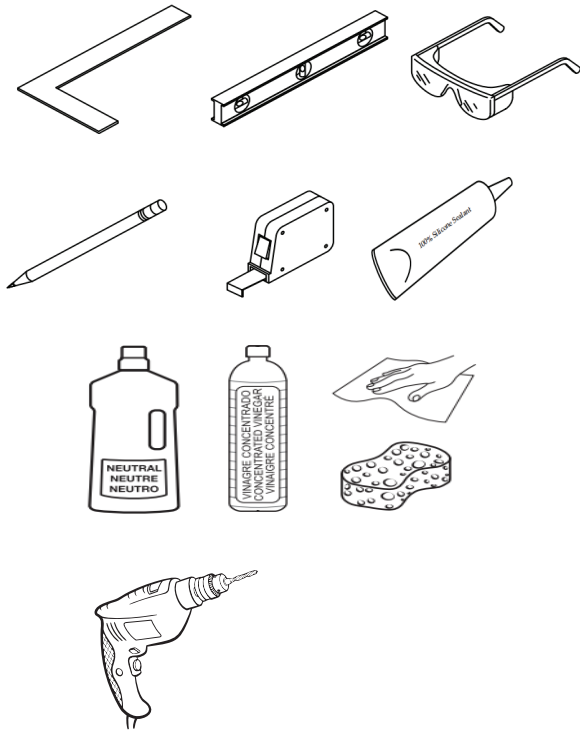


Folding Teak
SHOWER SEAT
INSTALLATION INSTRUCTIONS



Safety Information

Tools and Materials



Please read and understand this manual before attempting to install the product.

⚠️ WARNING ⚠️

Do not proceed if you have any questions or concerns about performing any steps in this manual. If necessary, hire or consult a certified plumber or licensed general contractor for installation.

⚠️ CAUTION ⚠️

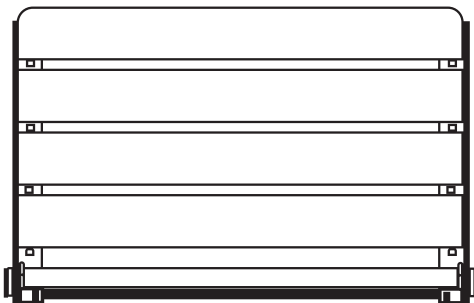
Carefully open the box to prevent any damage to the product.

🧴 CARE AND MAINTENANCE 🧴

Simply wipe the surface with a damp towel to remove watermarks and stains. For basic stains, clean with mild detergent or a general-purpose cleaner. For corners and seams, use a mildew cleaner.

Shower Seat and Accessories

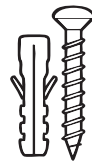
Folded Teak Shower Seat

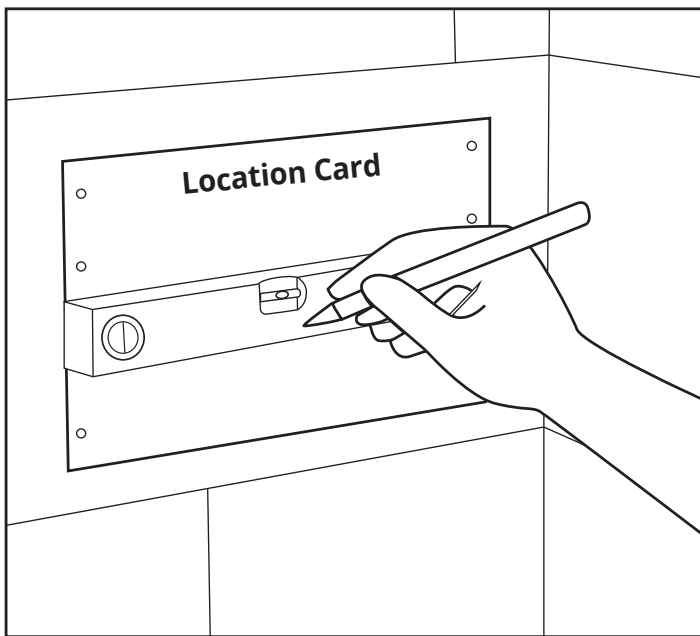


Location Card



Screws and Wall Plugs Package

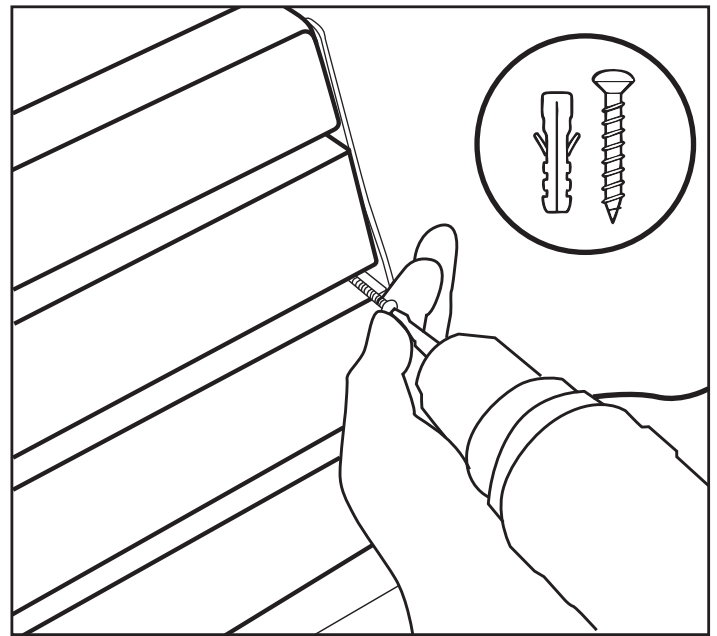




1. Position Using the Location Card

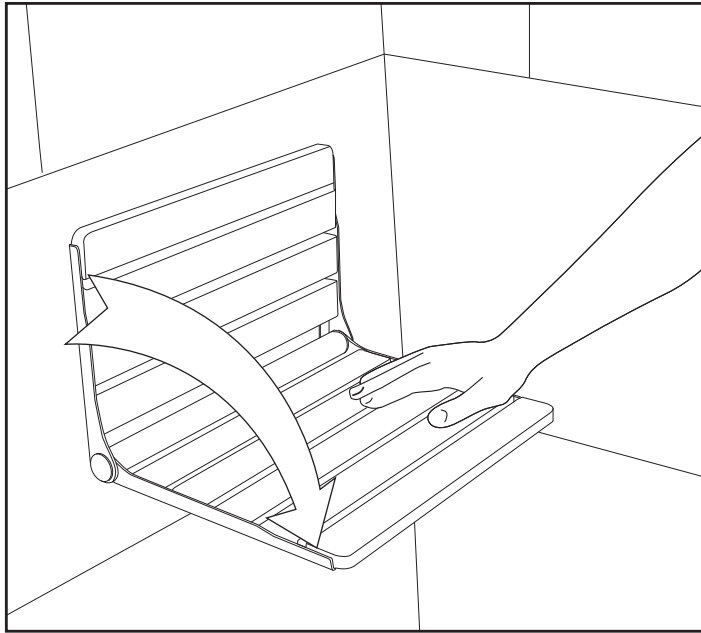
- Use the adhesive-backed Location Card included in the box to determine proper seat placement.
- Stick the template to the wall at the desired height (typically 16"–19" from the finished floor) and check alignment with a level.
- Use a hammer to punch starter holes through the marked points.

Important: A licensed contractor must confirm proper concealed in-wall backing (e.g., wood studs or reinforced support).



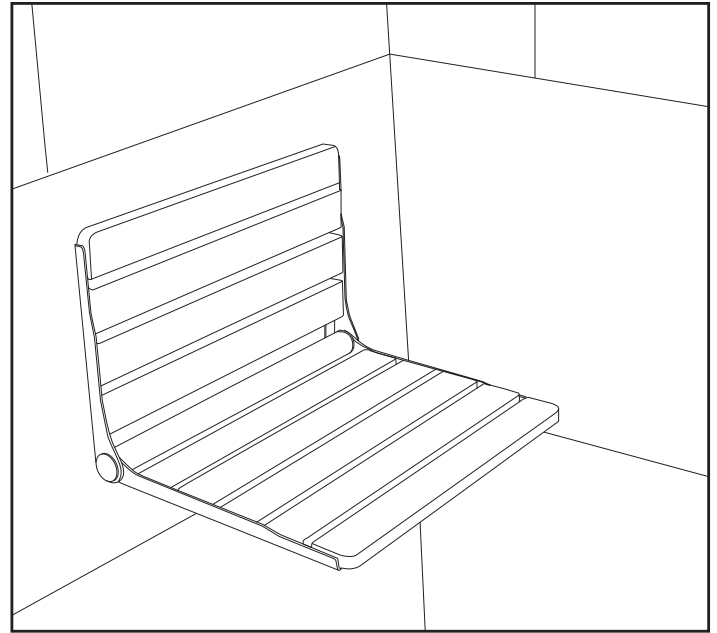
2. Drill and Prepare the Wall

- Drill pilot holes at the marked positions and remove the template.
- Insert the included wall plugs if installing over tile or other hard surfaces.
- Even with plugs, all screws must anchor into studs or solid backing.
- Tap expansion bolts with a hammer until flush with the wall.



3. Mount the Seat Securely

- Align the seat bracket with the drilled holes.
- Use the provided stainless steel screws to fasten the seat securely to the wall.
- Tighten firmly, ensuring the seat is flush and level—avoid overtightening to prevent surface damage.



4. Test and Finish

- Fold the seat up and down several times to test smooth movement.
- Sit briefly to check for stability and proper support.
- Wipe clean with a damp cloth and apply teak oil as needed (if applicable).
- Installation complete—ready for reliable daily use.

Discover more products and additional information at

Toll Free: 800-480-6850
Office Direct: 312-666-3552

www.ellasbubbles.com

ella
by ella's bubbles