

# Bariatric 30.5" Seat Hydro Massage Walk In Bathtub



355503L Left Hand Door and Drain



355503R Right Hand Door and Drain

Actual Size: 35" W x 55" L x 41" H  
 Shipping Size: 36" W x 56" L x 44" H  
 Shipping Weight: 234 lbs.  
 Net Weight: 184 lbs.  
 Water Capacity: 170 gal. US (unoccupied)  
 90-150 gal. US (occupied)

**Options:**

- White or Biscuit Shell
- Left or Right Hand Door/Drain
- Soaking
- Air Massage
- Dual Massage

**Included Features:**

1. Tub Shell - Gel Coat Fiberglass
  - High quality fiberglass material
  - Excellent color uniformity
  - Durable gel coat surface
  - Easy-to-clean high gloss finish
2. Stainless Steel Frame
3. 5" Threshold
4. 17" Seat Height
5. 30.5" Seat Width
6. Anti-slip floor
7. Built-in safety grab bar
8. Removable access panels
9. Wall extension kit to fit in standard 60" opening
10. Hydrotherapy Massage System
  - Six (6) adjustable direction Hydro jets
  - Air flow regulator for adjustable hydro massage
  - Push control
  - Water heater
  - In-line Water Heater (1.5 KW)
11. Five (5) Piece Huntington Brass Roman Faucet in Chrome
  - Jewel Arched Solid Brass Spout
  - 3/4" Valve, 3/4" Ports
  - Ceramic Disc Cartridges
  - Quick Connect Spout Installation
  - NPS Connections
  - 18 GPM (Average) @ 60 PSI

**Plumbing:**

- Two (2) 30" Supply Lines with 3/4" FIP connections
- +/- 5 minute 1 1/2" Quick Drain with overflow
- Drain opener with extension handle

**Electrical:**

120v. Standard Plug-In for 0.75hp Hydro Pump

**Warranty:**

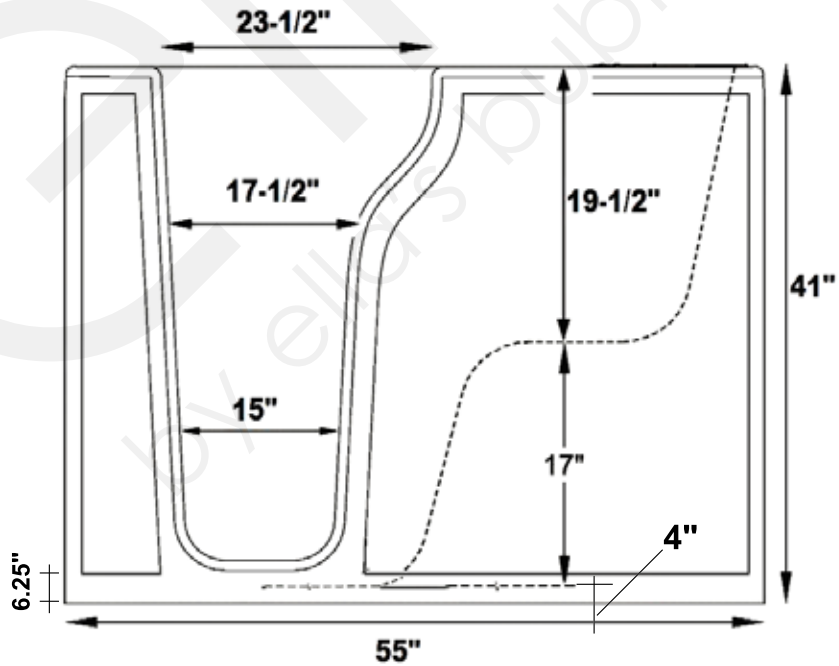
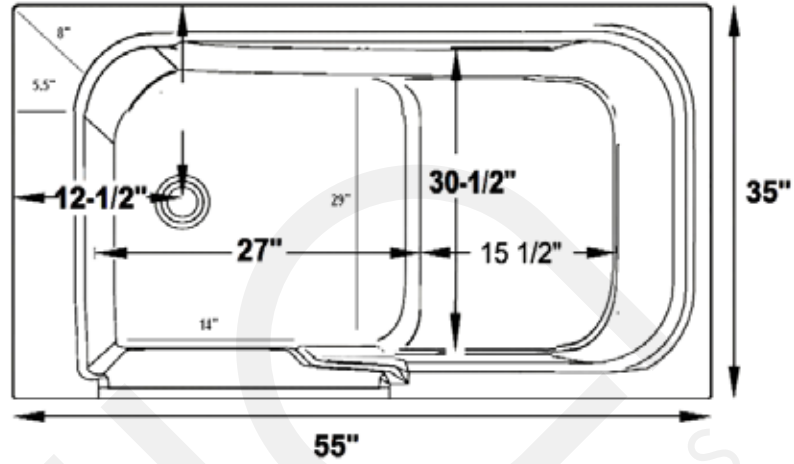
- 25 Year warranty on tub body
- Lifetime warranty on door seal
- 5 Year on faucet and pumps\*

\*For more information please visit [www.ellasbubbles.com](http://www.ellasbubbles.com).

**Disclaimer:**  
 The walk-in bathtub comes without pre-drilled faucet holes. The faucet is installed by customer (contractor). The standard PVC pipe for drain overflow is measured, cut at the job site and supplied by customer (contractor).

# Bariatric 30.5" Seat Hydro Massage Walk In Bathtub

355503L / 355503R  
\*Left hand door and drain shown



Disclaimer:  
In an effort to continually improve our product, specifications and configurations are subject to change without notice. Before ordering or installing, consider future access to essential equipment.