

Elite MicroBubble Walk In Bathtub



M3107 Left Hand Door & Drain



M3108 Right Hand Door & Drain

Specifications

Actual Size: 29.75" W x 52.25" L x 38" H

Shipping Size: 34" W x 57" L x 46" H

Shipping Weight: 250 lbs.

Net Weight: 150 lbs.

Water Capacity:

80 gal. US (unoccupied)

45-65 gal. US (occupied)

Options

- Left or Right Hand Door/Drain

Included Features

Tub Shell – Acrylic Tub Shell:

- High quality cast acrylic
- Excellent color uniformity
- High gloss white finish
- Fiberglass reinforced

1. Stainless Steel Frame
2. Low threshold step in 8" with the option to lower to 5"
3. Seat Width: 21.75"
4. Eight (8) adjustable heavy duty leveling legs
5. Stainless steel and tempered glass door, door frame and door seal gasket
6. Removable door for easy cleaning
7. Deck mount safety grab bar
8. Removable rubber back support (white)
9. Unique removable swivel tray (Patented)
10. MicroBubble Therapy System
 - 1HP Pump (10 amp)
 - Pressure Vessel
 - Air Switch
 - Agitator Valve
11. Two (2) front, one (1) toe kick and one (1) side removable access panels
12. Wall extension kit to fit in standard 60" opening

13. Five-piece thermostatic faucet set

- Thermostatic control valve
- Two (2) 2-way diverters with extension handles
- Pull out, hand held, chrome plated shower with 5 ft. retractable stainless steel braided hose

Plumbing

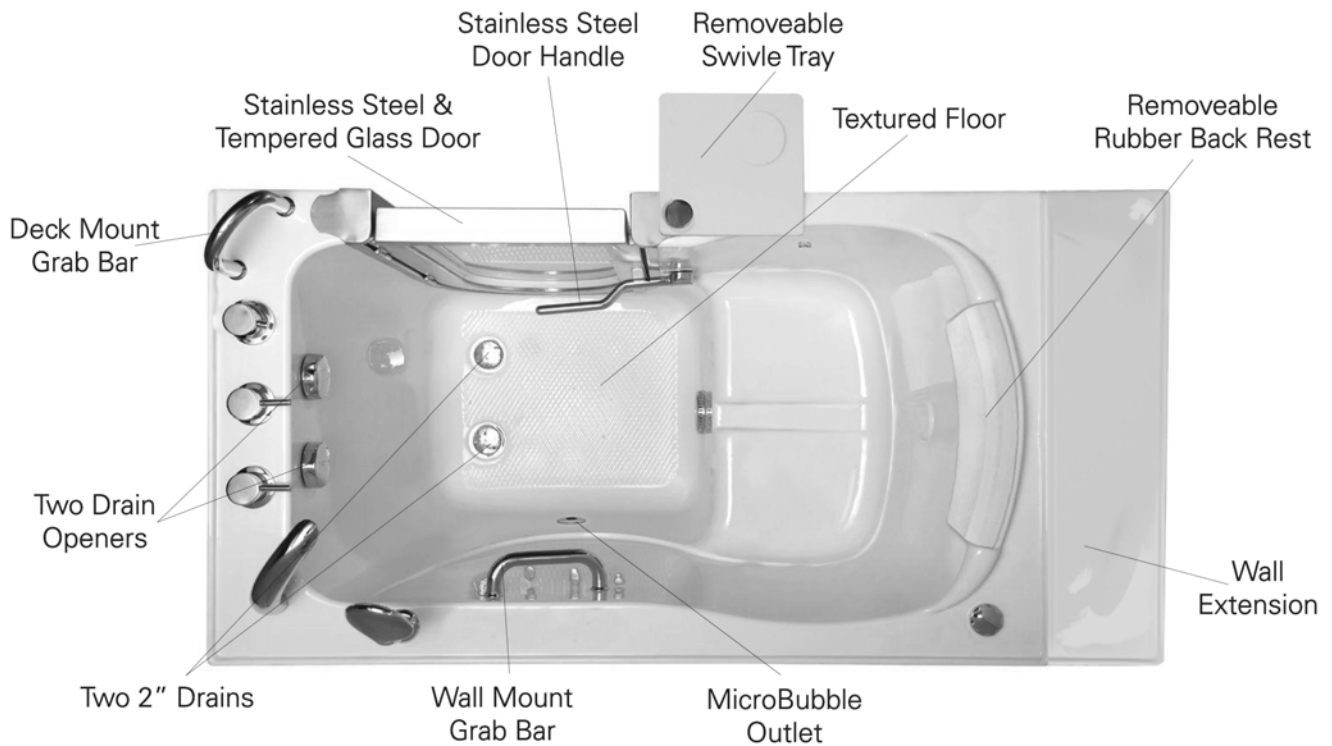
- Two (2) x 2" floor drains with 2 overflows and 2 ADA compliant stainless steel cable operated openers with extension handles
- Drainage time +/- 80 seconds to overflow
- Two (2) PVC 2" drain elbows with 2" opening

Warranty

- Lifetime limited warranty on frame, door, door seal gasket and acrylic walk in tub shell
- Five (5) Year parts warranty*
- Thermostatic Control Valve (TCV) 1 year limited warranty

*For more information please visit www.ellasbubbles.com

Elite MicroBubble Walk In Bathtub



Panel On



Panel Off



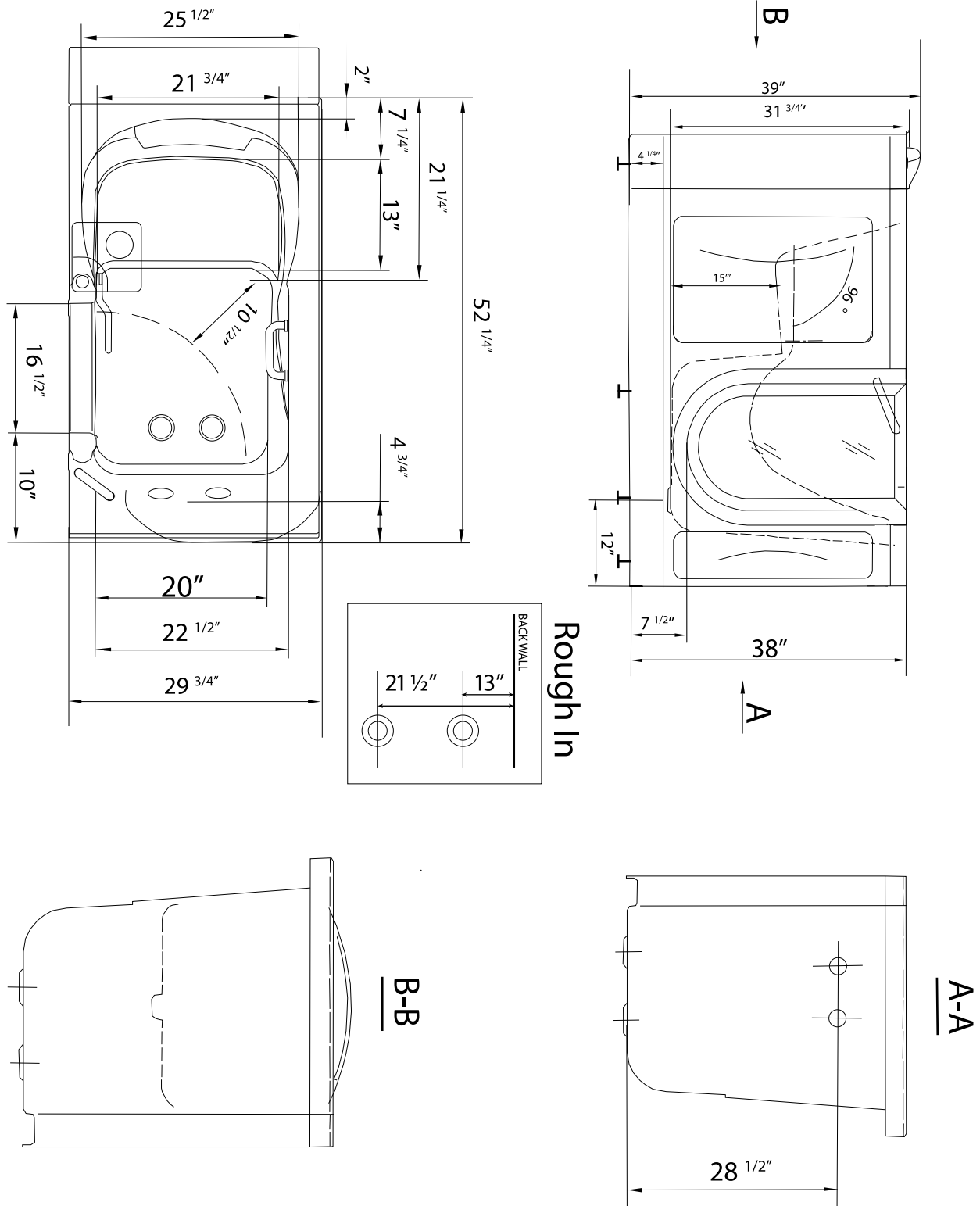
Lowered Threshold



Baseboard On
(not supplied)

Elite MicroBubble Walk In Bathtub

*Right hand door and drain shown



Disclaimer:

In an effort to continually improve our product, specifications and configurations are subject to change without notice. Before ordering or installing, consider future access to essential equipment.