





Panel On



Panel Off



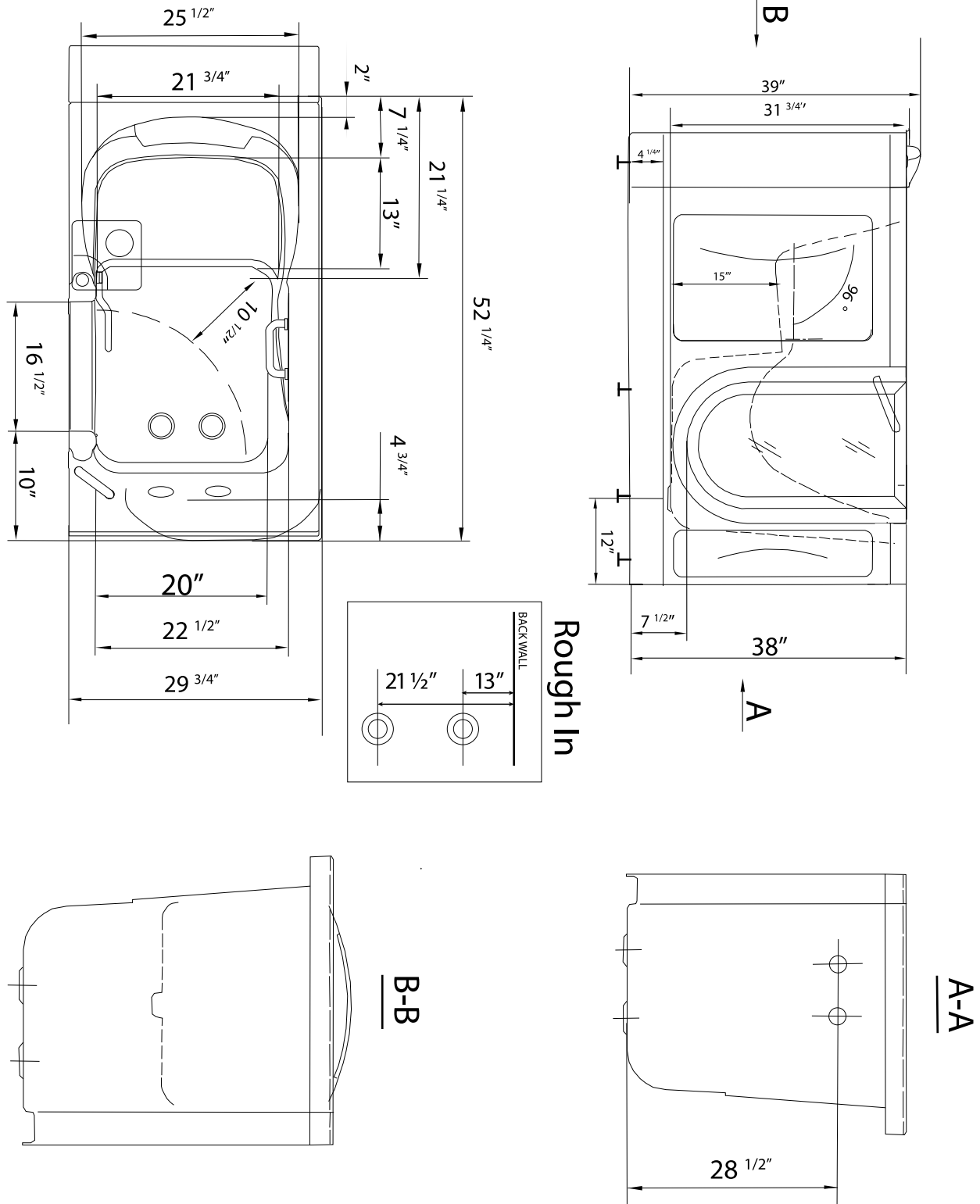
Lowered Threshold



Baseboard On  
(not supplied)

# Elite Hydro+Heat Walk In Bathtub

\*Right hand door and drain shown



**Disclaimer:**

In an effort to continually improve our product, specifications and configurations are subject to change without notice. Before ordering or installing, consider future access to essential equipment.

# Elite Hydro+Heat Walk In Bathtub

## Heated Seat and Backrest

### Specifications

Voltage:  
Input - 120V  
Wattage:  
Back - 47.4W  
Seat - 44.6W  
Total - 92W

### Components:

- (1) Controller Box
- (1) LED Keypad
- (2) Seat Heater
- (2) Backrest Heater

