

Deluxe Soaking+Heat Walk In Bathtub (no faucet)



H03057 Left Hand Door



H03058 Right Hand Door

Specifications

Actual Size: 29.75" W x 55" L x 38" H

Shipping Size: 34" W x 57" L x 46" H

Shipping Weight: 250 lbs.

Net Weight: 150 lbs.

Water Capacity:

80 gal. US (unoccupied)

45-65 gal. US (occupied)

Options

- Left or Right Hand Door/Drain

Included Features

Tub Shell – Acrylic Tub Shell:

- High quality cast acrylic
- Excellent color uniformity
- High gloss white finish
- Fiberglass reinforced

1. Stainless Steel Frame
2. Unique removable swivel tray (patented) Two (2) front, one (1) toe kick and one (1) side removable access panels
3. Removable rubber back support (white)
4. Wall extension kit to fit in standard 60" opening
5. Low threshold step in 8" with the option to lower to 5"
6. Seat Width: 21.75"
7. Eight (8) adjustable heavy duty leveling legs
8. Stainless steel and tempered glass door, door frame and door seal gasket
9. Removable door for easy cleaning
10. Heated seat and backrest

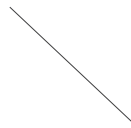
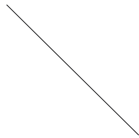
Plumbing

- Two (2) x 2" floor drains with 2 overflows and stainless steel cable operated openers with extension handles
- Drainage time +/- 80 seconds to overflow at ideal plumbing condition*
- Two (2) PVC 2" drain elbows with 2" opening

Warranty

- Lifetime limited warranty on frame, door, door seal gasket and acrylic walk in tub shell
- Five (5) Year parts warranty*

*For more information please visit www.ellasbubbles.com



Panel On



Panel Off



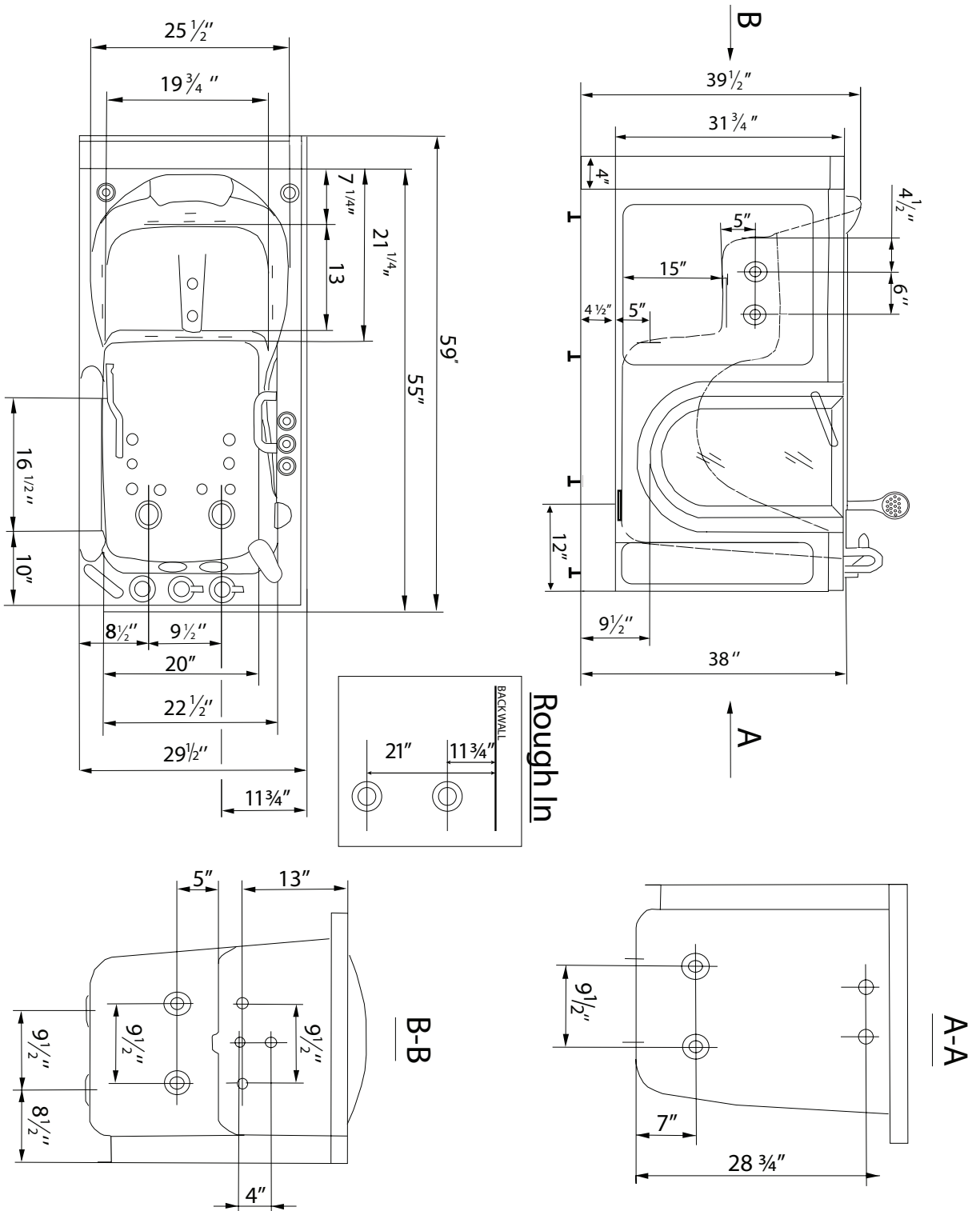
Lowered Threshold



Baseboard On
(not supplied)

Deluxe Soaking+Heat Walk In Bathtub (no faucet)

*Right hand door and drain shown



Disclaimer:

In an effort to continually improve our product, specifications and configurations are subject to change without notice. Before ordering or installing, consider future access to essential equipment.

Heated Seat and Backrest

Specifications

Voltage:
Input - 120V
Wattage:
Back - 47.4W
Seat - 44.6W
Total - 92W

Components:

- (1) Controller Box
- (1) LED Keypad
- (2) Seat Heater
- (2) Backrest Heater

