



# ELLA LOW THRESHOLD GEL COAT SHOWERS

## **OWNER'S MANUAL**

---

REPRESENTING THESE MODEL NUMBERS:

---

**3648 SH 1S 3P 4.0**  
Right Seat/Left Seat

**4836 SH 4P 3.0**  
Center Drain

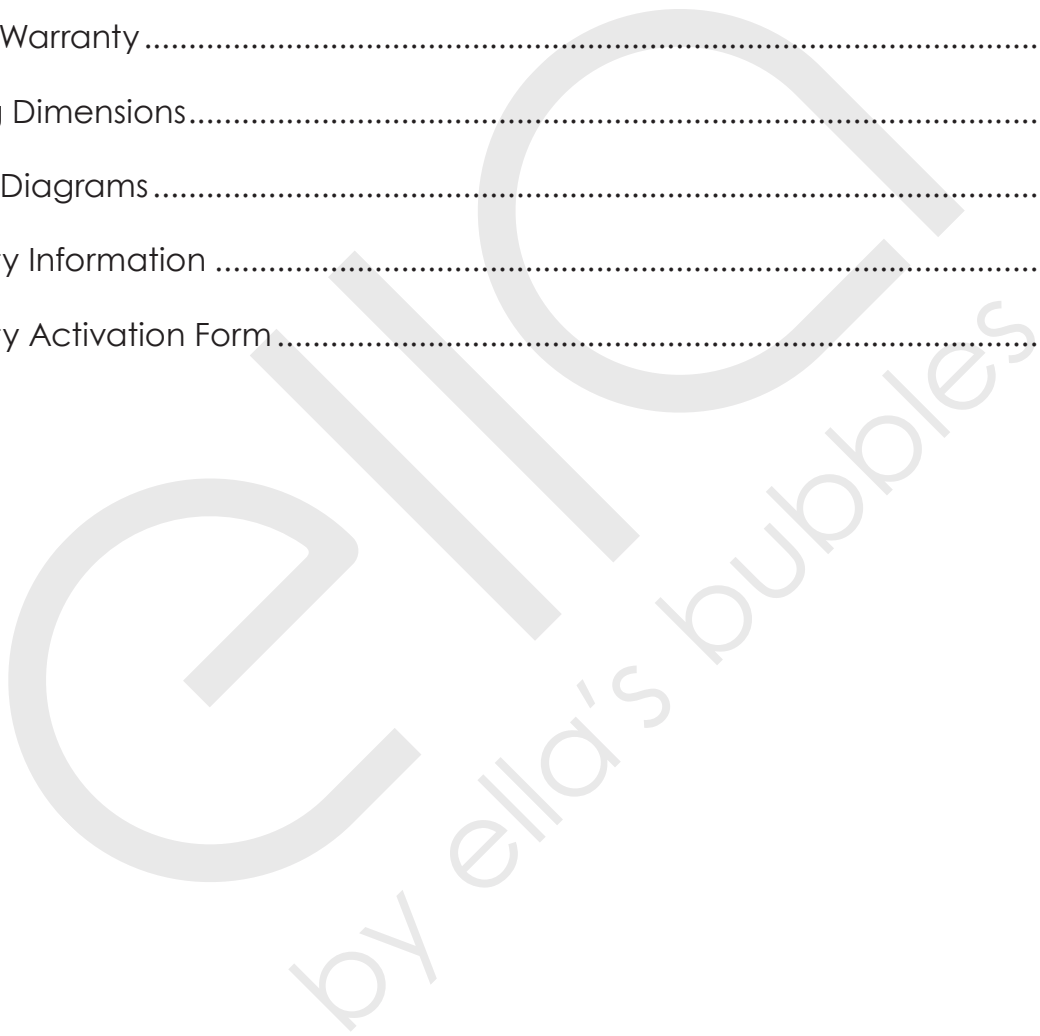
**6030 SH 5P 4.0**  
Right/Left Drain

**6032 SH 1S 3P 4.0**  
Right Seat/Left Seat

**6033 SH 5P 4.0**  
Center Drain



Getting Started.....	1
Installation Procedure.....	2-4
Limited Warranty.....	5
Framing Dimensions.....	6
Shower Diagrams.....	7
Warranty Information .....	8
Warranty Activation Form.....	9-10





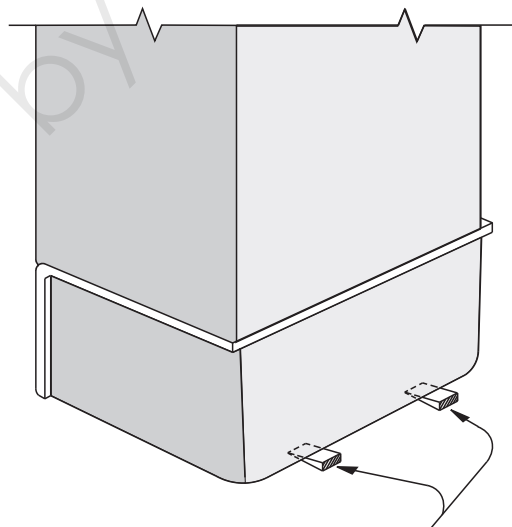
Thank you for purchasing an Ella Low Threshold Shower System. For best results, please read and follow all directions carefully before beginning installation.

Tools/Materials you might need for proper installation:

- 6D Galvanized Screws
- 100% silicone caulking
- Caulking gun
- Acrylic latex caulk
- Shims
- Tape measure
- 1/8" drill bit
- Phillips screw driver
- Cardboard
- China marker / grease pencil
- Furring strips
- Construction adhesive
- Long spirit level

## IMPORTANT! READ ALL INSTRUCTIONS

1. The back of a fiberglass unit is not waterproof. Unit must be stored so water will drain off and not accumulate in one spot. Water can penetrate the back laminates and soak the glassed in reinforcement supports causing bulges in the gelcoat unit.
2. Most handling damage is the result of impact blows to the back of the fiberglass units.
3. Never drag a fiberglass unit on any surface. Always transport the unit by hand using (2) people or two wheel dolly.
4. Never let a fiberglass unit drop from any height, not even an inch or stress cracks are likely to occur.
5. Placing objects inside the unit can cause scratches or nicks to the surface. *Do not use the shower as a trash receptacle!* Always place a drop cloth or cardboard on the floor when working inside the shower.
6. Never clean fiberglass gelcoat surface with metal tools of any kind, including razor blades.



**Figure 1** Wood Support Shims

1. Remove wall section(s) from the base unit. Carefully move all parts into the installation area. Apply a bead of silicone to all joints. Reinstall wall sections. Align all parts, and connect using the alignment pins. Wipe away any excess caulk that squeezes out. The unit will be installed in the framed alcove as a one-piece unit. The unit must be installed completely level.

Alternate Connection: If installing piece by piece into the alcove, make sure that the pins are aligned correctly. When the caulking cures the parts are solidly held similar to the one piece when attached to the framing. See Photo 1. *The valve wall should be the first wall sections installed.*



2. Drain and/or Overflow assembly should be installed on unit according to the manufacturer's instructions. Apply a bead of 100% silicone caulk around the drain opening in unit before installing the fitting.

3. Locate supply lines for control valves and shower head. Measure and mark locations of fittings on the finished side of the unit. Recheck locations, and drill 1/4" pilot holes. Cut holes to final size using the appropriate size hole saw.

4. Apply wood wedges to the alcove floor. Carry unit to the opening. Align front of apron to final location and tilt unit into place. Make certain that the wood shims contact both the bathing unit and sub floor. Remove and adjust wedges if necessary to assure proper contact for support.

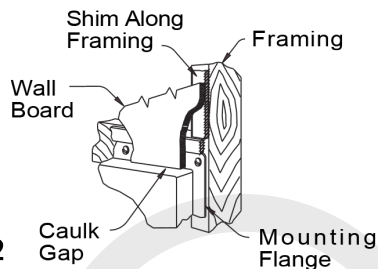
It is MANDATORY that these wedges are in place and in proper contact to assure structural integrity of the bathing unit.

5. Plumb and level the unit in two directions: Place a level on top of the apron, and along the finished flat area at the top of the wall. Once the unit is leveled, if any gap appears between the apron and sub floor fill the gap with solid material. When satisfied with the fit, attach the unit to framing with 6d galvanized nails or screws through the pre-drilled holes in the mounting flanges. If required, drill additional holes through the flanges in order to attach the unit to each stud.

6. Make connections to supply and drain lines. Strap all lines to the framing. Install finish trim. Caulk as necessary.

7. Check for leaks before installing wall-board and closing off plumbing access.

8. Finish wall board as detailed in Figure 2.



**Figure 2**

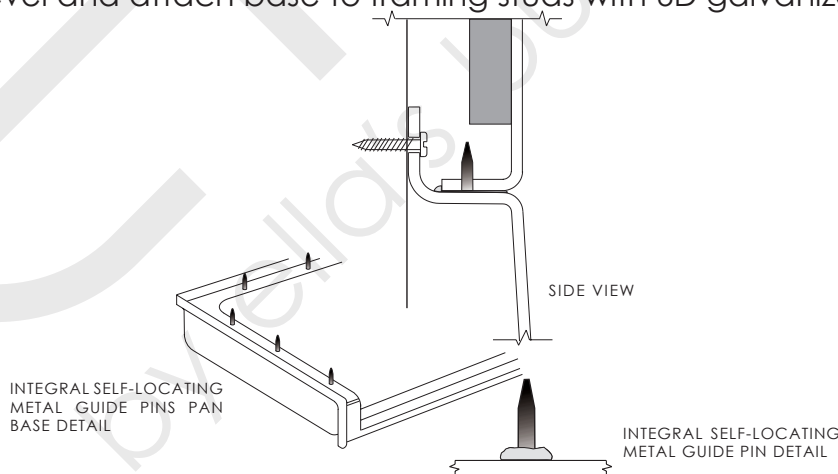
8. Finish wall board as detailed in Figure 2.

Sectional bathing units are shipped from the factory with screws or nuts and bolts connecting the parts together.

If installing the unit fastened together in one piece, follow instructions on Page 1 of this manual.

The alignment pins should allow you to more easily install the unit in the framing alcove. Read and understand the instructions on this page since the alignment pins must be inserted in a specific direction.

1. Install drain and/or overflow assembly on unit following drain manufacturers instructions. Place support wedges under the back edge and secure. Place the base unit in the install location. Level the unit. A minimum of two shims should be used for proper support. (See Figure 5). Re-check level and attach base to framing studs with 6D galvanized screws.



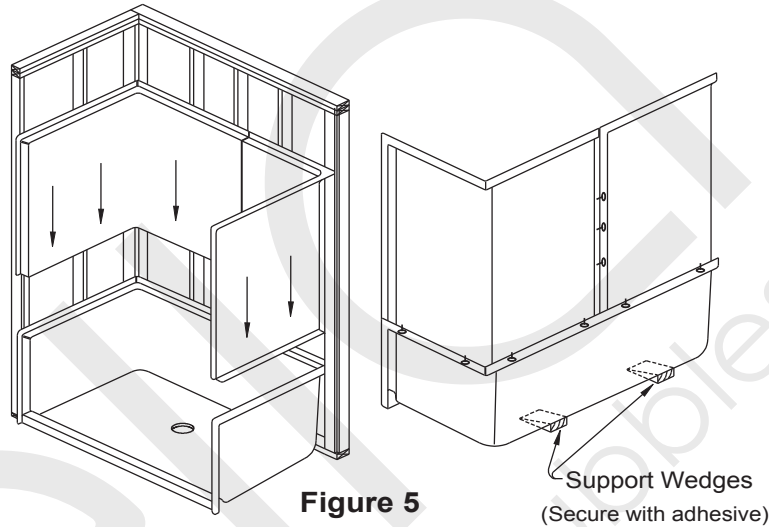
2. Place a continuous bead of silicone on base between the edge of the base and the holes. For three and four piece units, apply silicone up the vertical seam(s) at the front or inside edge of the wall. Also around the pin alignment piece.

3. Place the walls on the top of the base aligning the holes with the pins. For three and four piece units, install the left wall first. Repeating the same for the right wall. Press all seams together to assure a tight fit. Wipe away any excess caulking. See Figure 5

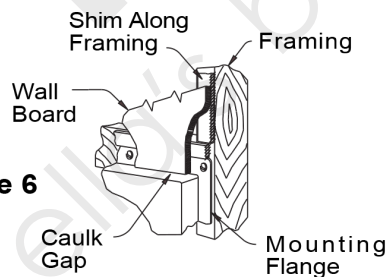
4. For four piece units, install the back wall first. Install the left and right walls (Wet wall last). Press the seams together, to assure a tight fit. Wipe away any excess caulking before it cures.

5. Make sure all seams are even and in alignment with the base section. Fasten the wall assembly to the framing using 6D galvanized screws through the mounting flanges. Fasten every 8" O.C. along the vertical flanges and to each framing stud along the top, horizontally.

6. Make connections to supply and drain lines. Strap all lines to the framing. Install finish trim. Caulk as necessary.
7. Check for leaks before installing wall-board and closing off plumbing access.
8. Finish wall board as detailed in Figure 6.



**Figure 5**



**Figure 6**

## CAUTION

If you use a RUBBER FLOOR MAT in this tub or shower unit it must be removed after each usage. If left in the unit, it may cause blisters or damage to the surface finish.

## DO NOT USE ABRASIVE CLEANERS

The most important caution is to avoid use of harsh abrasive cleaners or gritty scouring powders. To clean the unit, simply use a household liquid detergent with soft sponge cloth and warm water. More persistent stains, tar, or paint can be removed with naphtha or mineral spirits. Remove excess plaster by scraping with a sharpened soft wood stick. Avoid wire brushes, metal scrapers or tools. Restore dull areas by rubbing with automotive type body cleaning compound.





## Limited Warranty

### **LIMITED WARRANTY**

Ella's Bubbles, LLC warrants to the owner of its Tub/Shower units as follows: Units manufactured of fiberglass reinforced polyester resin, that it will, free of charge, repair or exchange as its option, any Ella's Bubbles unit found to be defective in materials or workmanship upon inspection by an authorized representative of Ella's Bubbles for a period of three (3) years from date of purchase.

The exchange of a unit is limited to supplying a replacement unit of comparable size and style and does not include any costs of removal or installation.

This warranty shall be voided if the unit is moved from its place of initial installation or is not installed in accordance with the instructions supplied by the manufacturer of the unit. Further, this warranty does not apply if the unit has been subjected to accident, abuse, misuse, damage caused by flood, fire or act of God.

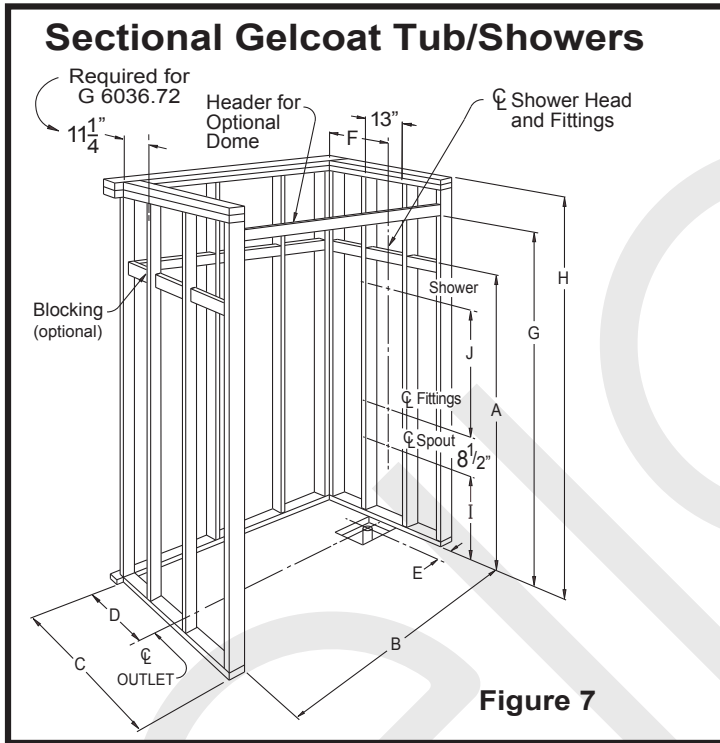
Since local code requirements vary greatly throughout the country, distributors, dealers, installation contractors and users of plumbing products should determine whether there are any code restrictions on the use of a specific product. Ella's Bubbles makes no representation or warranty regarding and shall not be responsible for any code compliance.

The owner agrees by use of this unit that the obligations of Ella's Bubbles shall not exceed to contingent or indirect damage or injury to the structure of its contents, that the obligations of Ella's Bubbles are limited to those set forth herein, and that no other obligations, expressed or implied, are assumed by Ella's Bubbles.

©2014, Ella's Bubbles, LLC  
2101 S. Carpenter St., Chicago, IL 60808  
1.800.480.0500  
[www.ellasbubbles.com](http://www.ellasbubbles.com)

## FRAMING DIMENSIONS

Model No.	Old No.	Fig 5	Fig 7	Fig 6	A	B	C	D	E	F	G	H	I	J
G 3838 NA 2P	G 3838.51			X	79"	39-1/2"	39-1/2"	17-3/4"	17-3/4"	17-3/4"	N/A	N/A	48"	27"
G 6032 TS 2P	G 6030.74	X			73"	60-1/4"	31-7/8"	14-3/4"	2-5/8"	14-3/4"	75"	81"	19"	42-1/4"
G 3232 SH 2P	G 3232.50		X		74"	32-1/4"	33-1/2"	16-1/2"	16"	16-1/2"	76"	82"	48"	22"
G 3635 SH 2P	G 3635.53		X		74"	36-1/4"	36-1/2"	18"	18"	18"	76"	82"	48"	22"
G 4836 SH 2P 1S	G 4835.54		X		74"	48-1/4"	36-1/2"	18"	24"	18"	76"	82"	48"	22"
G 3260 TS 3P	N/A	X			74"	60-1/4"	32-3/4"	16"	N/A	16"	N/A	N/A	N/A	N/A
G 5494 TS 2P	N/A	X			74"	54-1/4"	27-1/2"	12-1/4"	N/A	12-1/4"	N/A	N/A	N/A	N/A
G 4887 SH 3P 1S	N/A		X		78"	48-1/4"	35-3/4"	18-1/4"	24"	18-1/4"	N/A	N/A	N/A	N/A
G 3636.53	6839		X		73"	36-1/4"	37-5/8"	16-1/8"	18"	16-1/8"	83-3/4"	83-3/4"	48"	22"
G 4834 3P 2S	G 4834.50		X		73"	48-1/4"	35-5/8"	16-3/8"	24"	16-3/8"	83-3/4"	83-3/4"	48"	22"
G 6030.75	6824/25	X			73"	60-1/4"	31-1/4"	14-1/2"	1-3/8"	14-1/2"	83-1/8"	83-1/8"	17-1/2"	43"
G 6036.71	6976/77	X			76"	60-1/4"	35-3/4"	15"	2"	15"	79"	82"	25-1/4"	38-1/4"
G 6036.72	6880/81	X			81"	60-1/4"	37"	17-1/2"	1-5/8"	17-1/2"	81-1/4"	81-1/4"	22"	42-1/2"
G 6017 TS 2P	N/A	X			81"	60-1/4"	37-3/4"	16"	N/A	16"	N/A	N/A	N/A	N/A
G 4887 SH 2P 1S	N/A		X		78"	48-1/4"	35-3/4"	18-1/4"	24"	18-1/4"	N/A	N/A	N/A	N/A
G 3679 SH 3P	N/A		X		78"	36-1/4"	37"	19"	18"	19"	N/A	N/A	N/A	N/A
G 3687 SH 2P	N/A		X		79"	36-1/4"	36-1/4"	17-1/2"	18"	17-1/2"	N/A	N/A	N/A	N/A
G 3275 SH 2P	N/A		X		77"	32"	34"	19-1/2"	16"	19-1/2"	N/A	N/A	N/A	N/A
G 4080 NA 2P	N/A			X	81"	41-1/4"	41-1/4"	19"	19"	19"	N/A	N/A	N/A	N/A







Ella's Bubbles, LLC. warrants to the owner of its  
ACCESSIBLE SHOWER IN A BOX as follows:

Units manufactured of fiberglass reinforced polyester resin, that it will, free of charge, repair any Ella's unit found to be defective in material or workmanship upon inspection by an authorized representative of Ella's for a period of thirty (30) years from the date of purchase of the unit by a qualified professional. The exchange of a unit is limited to supplying a replacement unit of comparable size and style and does not include any cost of removal or installation. Any component part supplied by Ella's carries the same limited warranty provided by our supplier for a period of one (1) year. Any Ella's product will carry a thirty (30) year limited warranty against manufacturing defects. This warranty shall be voided if the unit is moved from its place of initial installation or is not installed in accordance with the instructions supplied by the manufacturer of the unit. Further, this warranty does not apply if the unit has been subjected to accident, abuse, misuse, damage caused by flood, fire, or act of God. The owner agrees by use of the unit that the obligations of Ella's Bubbles, LLC. shall not exceed to contingent or indirect damage or injury to the structure of its contents, that the obligations of Ella Walk in Baths are limited to those set forth herein, and that no other obligations, expressed or implied, are assumed by Ella's Bubbles.

All mailing notification must be sent via certified mail to:

Ella's Bubbles, LLC.  
2101 S. Carpenter Street  
Chicago, IL 60608  
Email: [info@ellasbubbles.com](mailto:info@ellasbubbles.com)



**INSTALLER'S INFORMATION**

\_\_\_\_\_  
Name

\_\_\_\_\_  
Address

\_\_\_\_\_  
City

\_\_\_\_\_  
State

\_\_\_\_\_  
Zip

\_\_\_\_\_  
Telephone

\_\_\_\_\_  
Email

\_\_\_\_\_  
Date

\_\_\_\_\_  
Signature

Upon completing the installation of an Ella Walk In Tub, the following Warranty Activation Form must be completed, signed by both the customer and installer, and returned to Ella's Bubbles, LLC. In order for the Warranty to be activated (faxed, scanned, or emailed, or hard copy mailed).

**To be initialed by the installer(s)**

- \_\_\_\_ Tub is level in all directions and all support legs are touching the ground.
- \_\_\_\_ Tub is installed on a dedicated 30 Amp GFCI protected circuit using 10 gauge wire
- \_\_\_\_ Frame of the tub has been properly grounded.
- \_\_\_\_ Door Seal has been cleaning with rubbing alcohol to remove any dust or debris left over from construction.
- \_\_\_\_ Temperature Control Valve operated on both hot and cold settings.
- \_\_\_\_ Both diverters function properly.
- \_\_\_\_ Hand Shower functions on all settings without leaking.
- \_\_\_\_ All supply lines have been checked for leaks while both diverters are on.
- \_\_\_\_ Drains open and close properly, and the locking nut has been tightened on both stoppers.
- \_\_\_\_ Door seal is water tight after tub has been filled for a minimum of 20 minutes.
- \_\_\_\_ After running for a minimum of 20 Minutes both the Hydro and Air Pumps are functioning properly and all connections to the pumps and jets are water tight.
- \_\_\_\_ Chromatherapy Light and the Ozone Sterilization are working properly. (When the Ozone is on by itself it will make a light humming noise).
- \_\_\_\_ All drain fittings have been checked for leaks while the tub is draining.
- \_\_\_\_ Unit is installed with access to both plumbing and electrical connections.

**OWNER'S INFORMATION**

\_\_\_\_\_  
Name

\_\_\_\_\_  
Address

\_\_\_\_\_  
City

\_\_\_\_\_  
State

\_\_\_\_\_  
Zip

\_\_\_\_\_  
Telephone

\_\_\_\_\_  
Email

\_\_\_\_\_  
Date

\_\_\_\_\_  
Signature

Model: \_\_\_\_\_ Serial Number: \_\_\_\_\_

Purchase Date: \_\_\_\_\_ Purchase Price: \_\_\_\_\_

Place of Purchase: \_\_\_\_\_

Contact Name: \_\_\_\_\_ Phone Number: \_\_\_\_\_

**Copy of sales receipt must be included  
with warranty activation forms.**

To activate manufacturer's warranty, please complete both pages and use one of the options below to submit.

Via mail: Ella's Bubbles, LLC.  
Warranty Department  
2101 S. Carpenter St., Chicago, IL 60608

Via fax: 1-312-666-3551

Via email: warranty@ellasbubbles.com