

Actual Size: 36" x 72" x 40" • (91.44 cm x 182.9 cm x 101.6cm)

Shipping Size: 39" x 74" x 49" • (76.2 cm x 157.5 cm x 124.5 cm)

Net Weight: 286 lbs. • (130 kg)

Shipping Weight: 429 lbs. • (195 kg)

Seat Width: 28.75" • (73.03 cm)

Features

1. Acrylic shell gloss white finish fiberglass gelcoat reinforced
2. Stainless steel frame with adjustable leveling legs
3. Plastic composite and tempered glass outward swing door with 3 latch gear & shaft mechanism
4. Removable front apron with two access panels
5. One reversible end panel
6. Stainless steel chrome finish wall-mounted grab bar
7. Two 2" 4-port PVC drains with 2 end caps included, 2 overflows, 2 stainless steel operated openers with extended handles in chrome finish

Jetting & Therapy System

Hydro Massage for Seat Jets:

- Hydro Massage Pump 8.1A 900W
- Intensity Dial Air Control
- 15 Upper Seat Jets
- Controlled by Digital Controller

Hydro Massage for Foot & Calf Jets:

- Hydro Massage Pump 8.1A 900W
- Intensity Dial Air Control
- 4 Foot and 2 Calf Jets
- On/Off Push Control
- In-Line Water Heater - 9A 1000W
- Ozone Sterilization - 0.04A

Air Massage:

- Air Massage Pump 4.5A 500W
- 3 Speed Pump
- Auto-Purge (activates 20 minutes after pump is turned off)
- 12 Seat Jets 4 Foot Jets
- Controlled by Digital Controller



LED Chromotherapy Light

- Multicolor LED Light Bulb 0.5A
- Transformer
- Controlled by Digital Control Pad

Five-Piece Fast Fill Faucet

- Up to 18 GPM @ 60 PSI (at ideal in-home plumbing conditions)
- Two 5' Water Supply Lines 3/4"
- Pull out Hand Shower in Chrome Finish with a 5' Retractable Stainless Steel Braided Hose

Optional Features

MicroBubble Therapy System

- 1 HP Pump 7A
- Pressure Vessel
- On/Off Push Control
- Agitator Valve

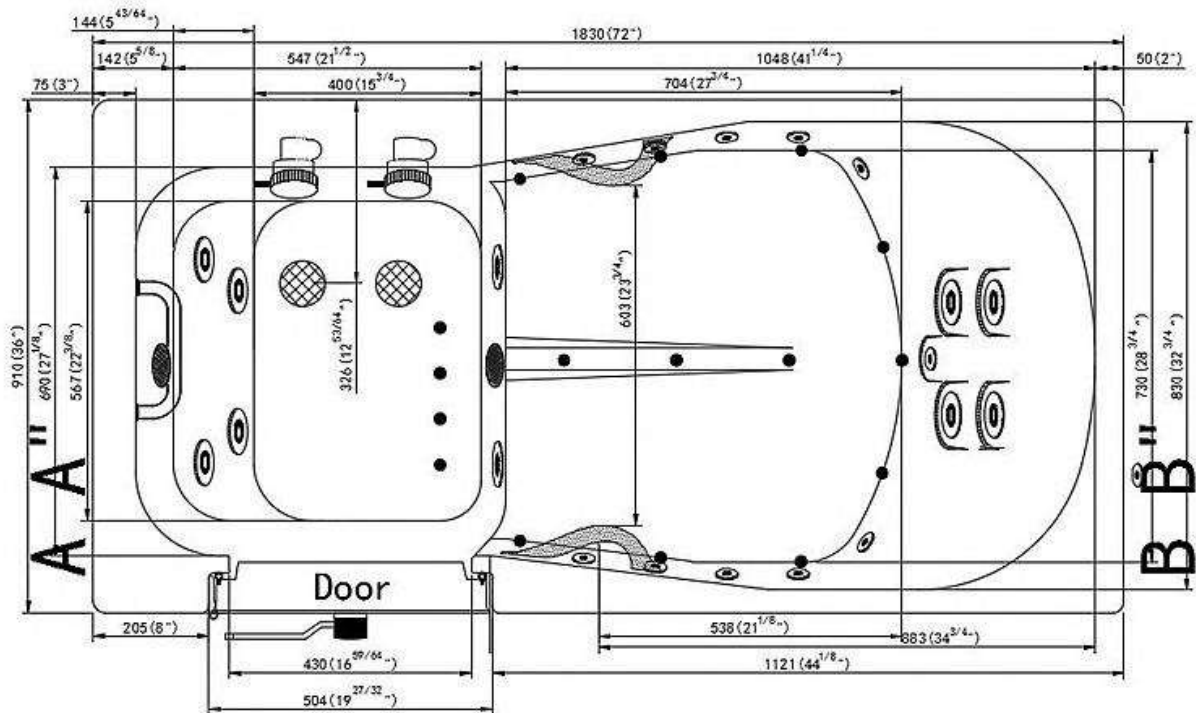
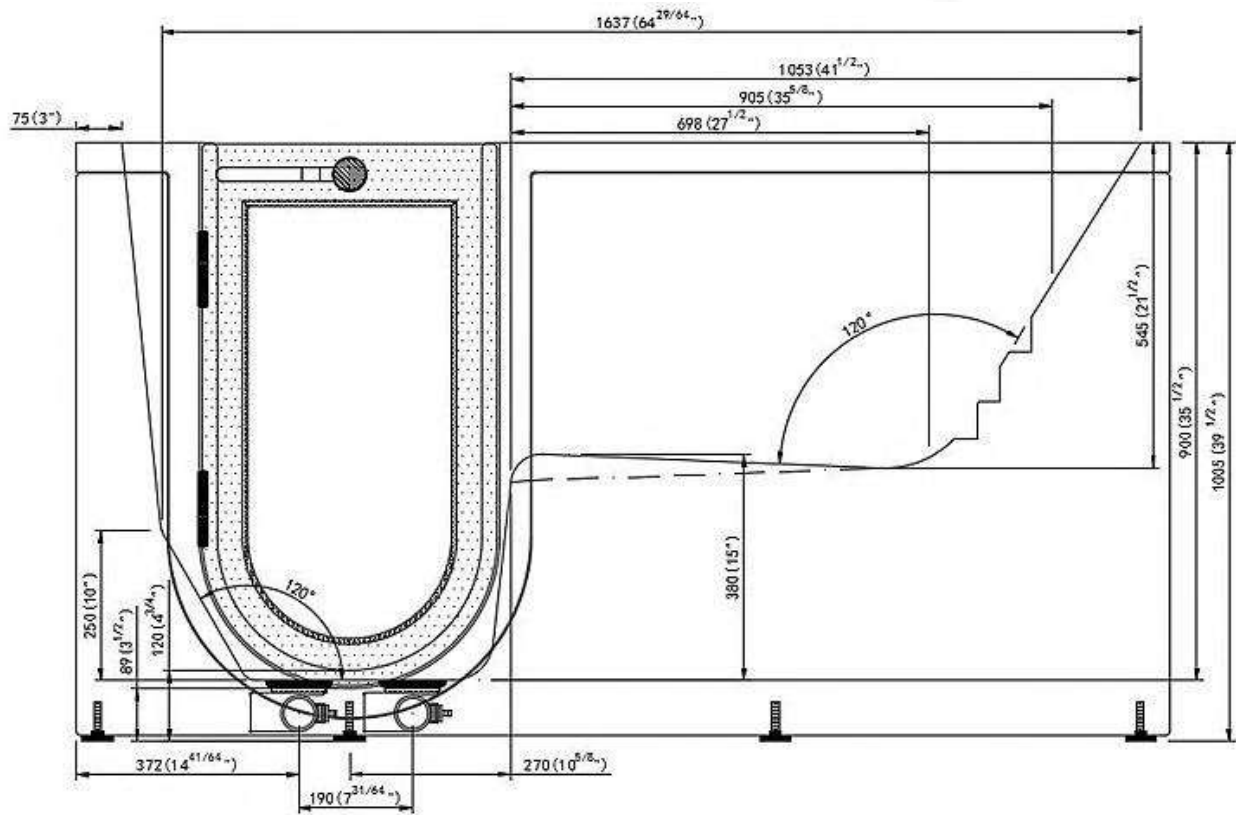
Heated Seat and Backrest

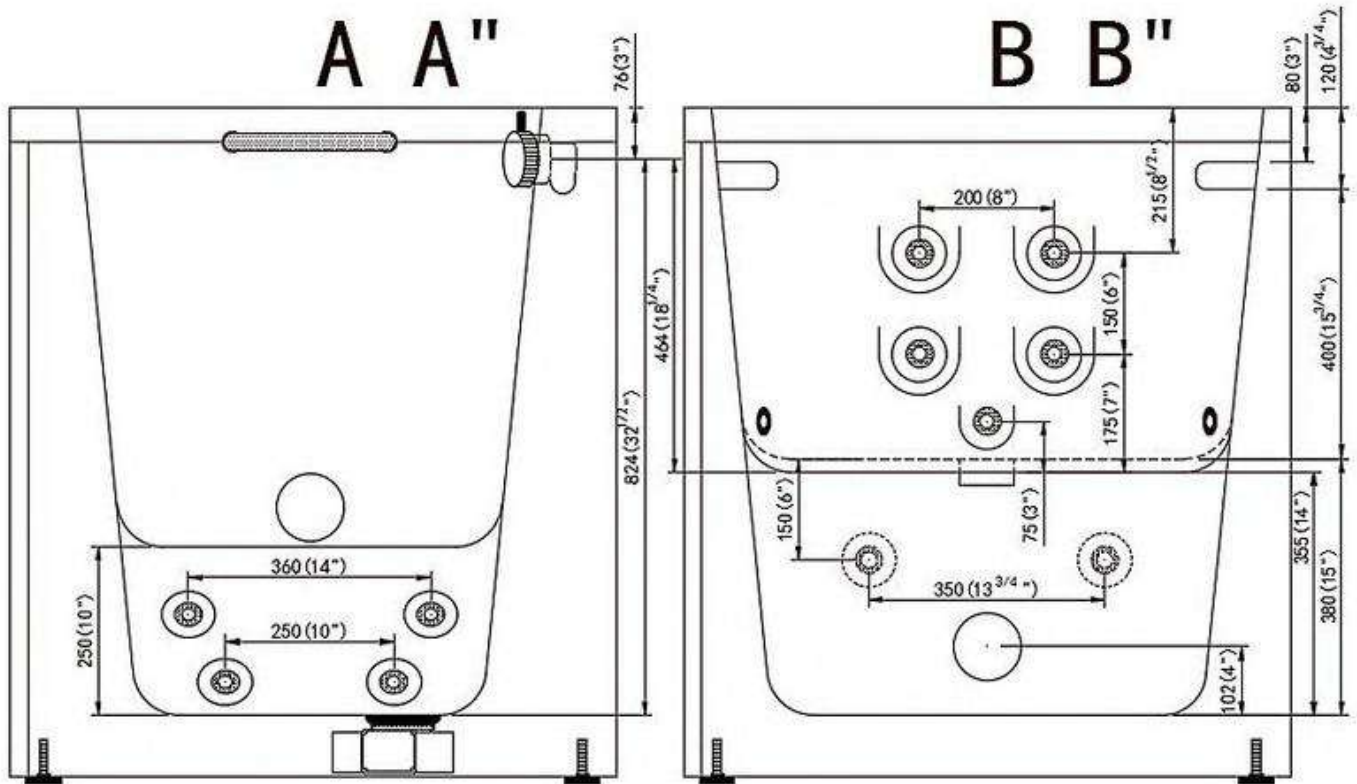
Warranty

- Lifetime limited* warranty on shell, frame, door, and parts to original purchaser/address
- Labor or installation is not covered - please refer to the Ella warranty certificate

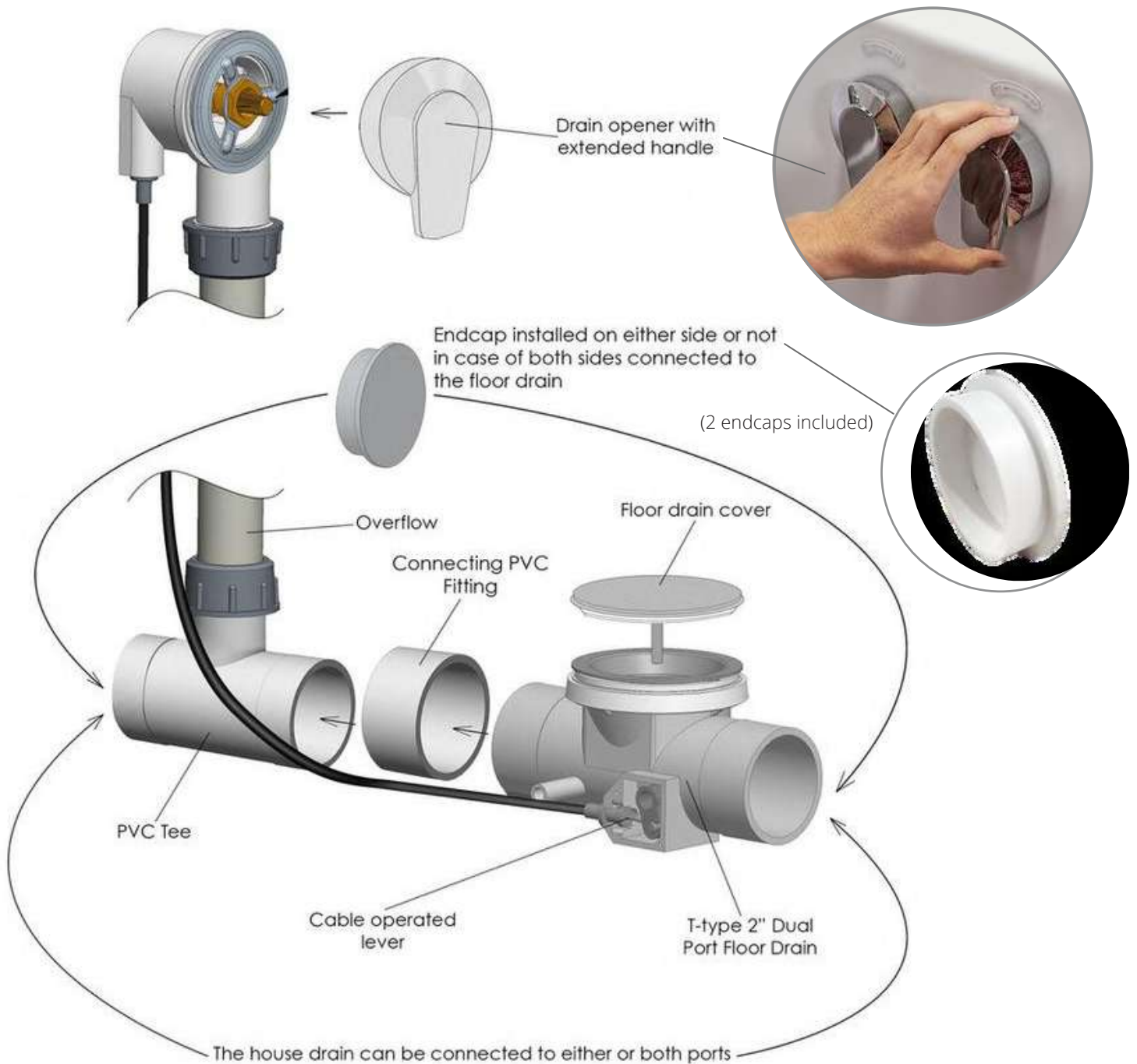
Electrical Requirements

Dedicated GFCI protected electrical line(s) required
115V 60Hz equipment





Dual Drain Technology - Two 2 Inch Independent Floor Drains



Two 3/4" connector water supply lines included with Ella Fast Fill Faucets



Connect to Shut Off Valves (not included)



All electrical fixtures connect to a dedicated GFCI protected outlet.



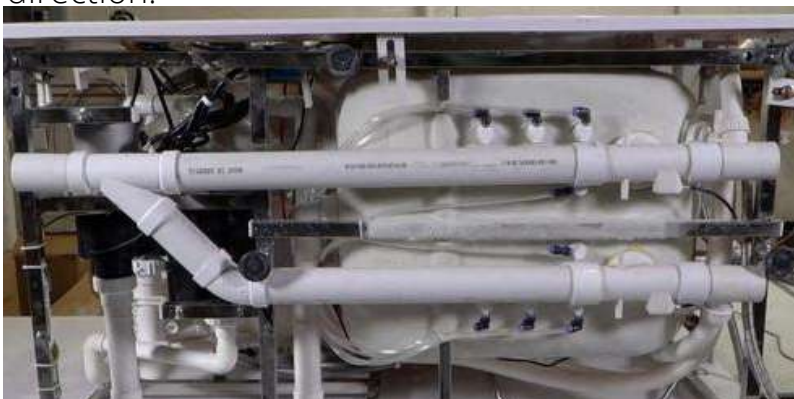
Drain Cap

Use a drain cap to close unused drain port.



T-Type four (4) 2" drain ports allow for the drain pipe to be installed in either direction.

Images below show examples of PVC pipe connections (not included). Reducers can be used to connect smaller drain pipes.



Description

Solid brass spout in a chrome finish with a 5-setting pull out hand shower mixer including a 5' braided hose. Two 3/4" 5' braided stainless-steel supply lines are included along with Cold/Hot levers with a diverter for the hand mixer.

Flow

- Hand shower is limited to 1.9 GPM (7.5L/min)
- Faucet fill rate designed for 18 GPM (68.1L/min)

Cartridge

- 40mm high flow cartridge design
- Nonmetallic/nonferrous and stainless-steel material



Ella 5 Piece Fast-Fill Faucet Contents

Cold Water Lever

Hand Mixer Diverter

Hot Water Lever

Spout

Hand Shower with 5 Water Flow Settings

3/4" SPT x 5' Steel Braided Supply Line Connected to the Cold Water Lever

5' Braided Stainless-Steel Hose Connected to the Hand Shower

Three 3/4", 20" Steel-Braided Water Lines Connected to HOT/COLD Levers & Diverter

3/4" SPT x 5' Steel Braided Supply Line Connected to the Hot Water Lever

