

Actual Size: 32" x 40 x 40 • (81 cm x 102cm x 102 cm)

Seat Width: 23" • (58 cm)

Shipping Size: 34" x 43" x 50" • (86 cm x 109 cm x 127 cm)

Net Weight: 200 lbs. • (91 kg)

Shipping Weight: 280 lbs. • (127 kg)

Unoccupied Water Capacity: 70 gal. • (265 L)

Occupied Water Capacity: 25-55 gal. • (95 - 208 L)

Drainage Time: +/- 140 seconds at ideal plumbing conditions (unoccupied)

Included Features:

1. Acrylic Tub Shell
 - Gloss white finish
 - Fiberglass gelcoat reinforced
2. Stainless steel frame with adjustable leveling Legs.
3. Outward swinging custom crafted industrial plastic composite door with tempered glass.
4. Two (2) access panels.
5. One (1) 2-inch PVC drains T-type, two (2) outlet drains with end caps, one (1) overflow and a stainless-steel cable operated opener with extended handle in chrome finish.

Jetting & Therapy Options:

1. Air + Hydro
2. Hydro Massage
3. Hydro Massage + Microbubble
4. Soaking Option Only



Jetting Options

Hydro Massage

- Hydro Massage Pump
- Hydro Massage Intensity Dial Control
- Ozone Sterilization
- 13 jets
- On/Off Push Control
- In-line Water Heater

Microbubble Therapy

- Air Pressure Pump
- Pressure Tank
- On/Off push control

Air Massage

- Air Massage Pump
- 3 Speed Pump
- Auto-purge (Activates 20 minutes after pump shutdown)
- 16 jets
- On/Off push control

Optional Features

- 1.Heated Seat and Backrest
- 2.Digital Controller

Electrical Requirements

Dedicated GFCI protected electrical line(s) required

Faucet Options

2. Two-Piece Fast Fill Faucet

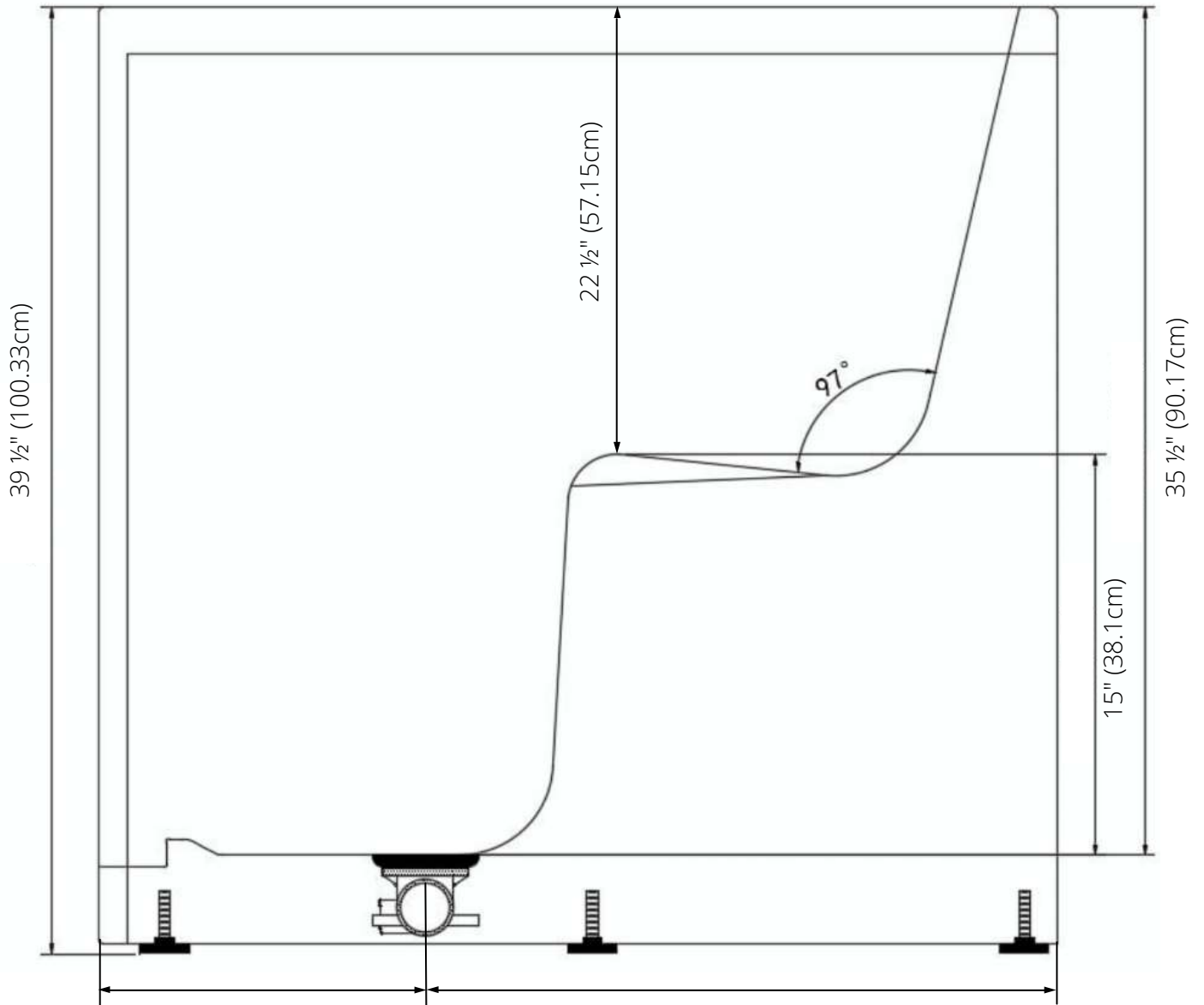
- Up 10 16 GPM @ 60 PSI an ideal in-home plumbing conditions
- Two 5' water supply lines with 3/4" connectors
- Pull out, hand held, chrome plated hand shower with a 5' ft. retractable stainless steel braided hose



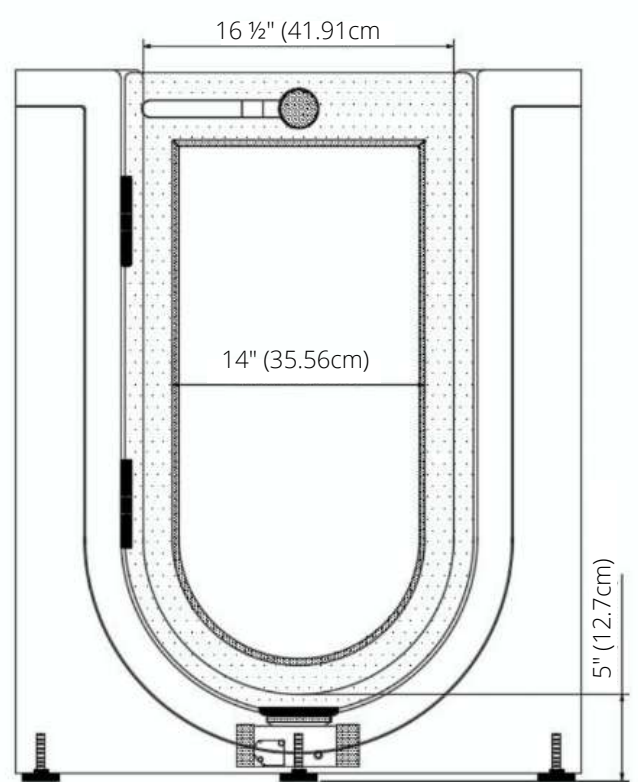
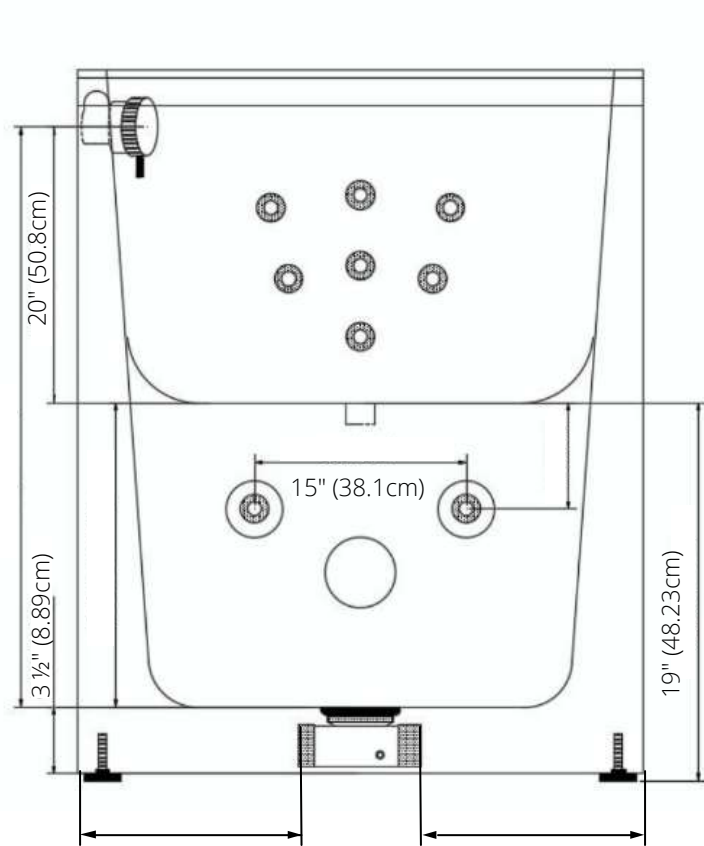
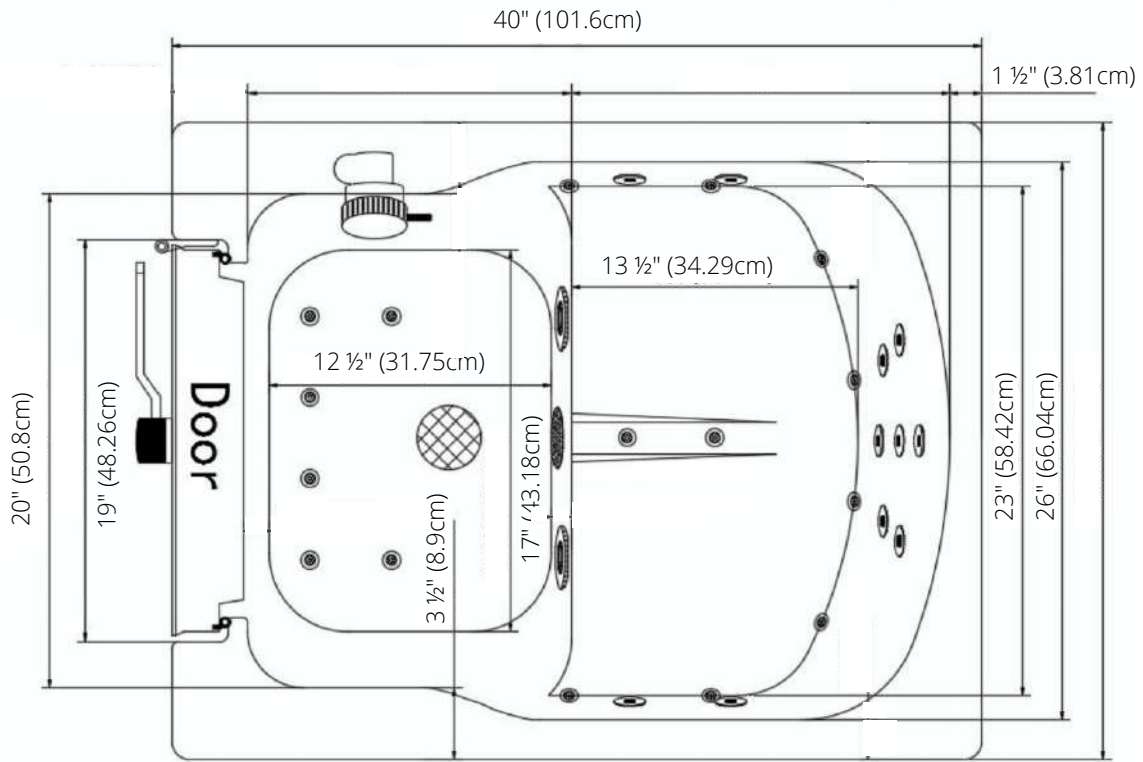
Warranty

- Lifetime limited* warranty on shell, frame, door, and parts to original purchaser/Address
- Labor or installation is not covered - please refer to the Ella warranty certificate
- Non Ella brand faucets covered under manufacturers original warranty

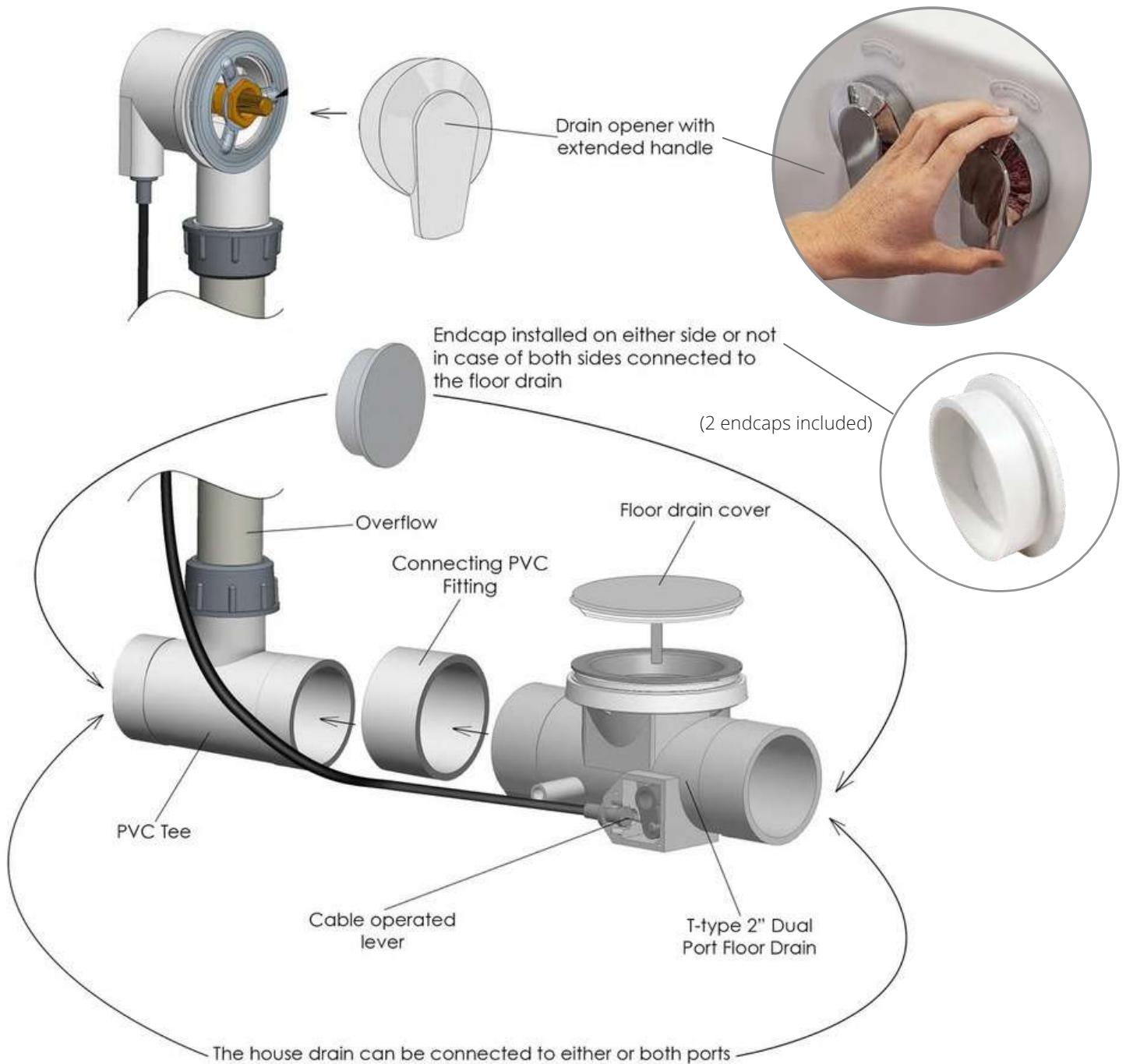
Disclaimer*: AMP value for each pump may change based on availability. Please verify before purchase. (800.480.6850)



Front Entry Acrylic Outward Swing Door Walk-In Bathtub Specifications



Ella 2" T-type Dual Port Floor Drain (Two Drains Included)



Two 3/4" connector water supply lines included with Ella Fast Fill Faucets



Connect to Shut Off Valves (not included)



All electrical fixtures connect to a dedicated GFCI protected outlet.



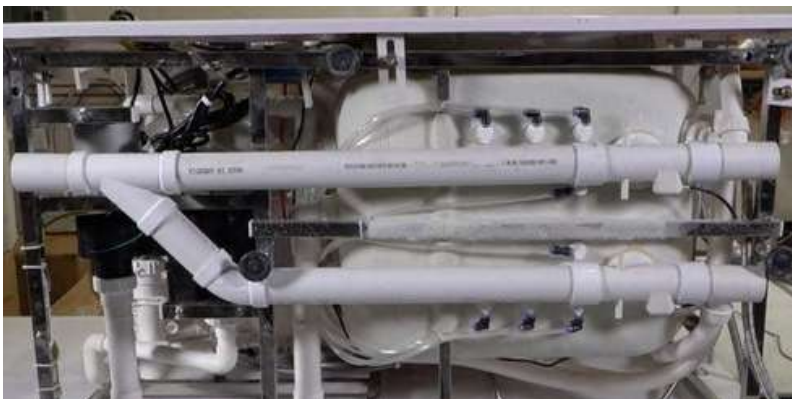
Drain Cap

Use a drain cap to close unused drain port.



T-Type four (4) 2" drain ports allow for the drain pipe to be installed in either direction.

Images below show examples of PVC pipe connections (not included). Reducers can be used to connect smaller drain pipes.





Ella 2 Piece Single Lever Fast-Fill Faucet

Description

Solid brass spout chrome finish single lever high flow bathtub faucet with diverter button Two (2) 3/4" 5' braided stainless-steel supply lines Pull out hand shower mixer with 5 settings and 5' braided hose in a Chrome or Brushed Nickel finish.

Flow

- Hand shower is limited to 1.9 GPM (7.5L/min)
- Faucet fill rate designed for 16 GPM (68.1L/min)

Cartridge

- 40mm high flow cartridge design
- Nonmetallic/nonferrous and stainless-steel material

Standards

- Third party certified to meet: CSA B125.1, ASMEA112.18.1, ICC117.1 and all applicable requirements referenced therein
- Certified to ANSI/NSF 61/9
- ADA for lever/handle
- IAPMO R&T UPC certified

NOTE: This faucet is designed to be installed through:

2-1/2" diameter hole for faucet, 1/3" diameter hole for mounting rods, and a 7/8" diagonal hole for the hand shower.

