

Actual Size: 36" x 72" x 40" • (91 cm x 183 cm x 102 cm)

Seat Width: 27" & 29" • (69 cm & 74 cm)

Shipping Size: 40" x 76" x 49" • (102 cm x 193 cm x 124 cm)

Net Weight: 286 lbs. • (130 kg)

Shipping Weight: 398 lbs. • (180 kg)

Unoccupied Water Capacity: 145 gal. • (549 L)

Occupied Water Capacity: 85-135 gal. • (322 - 511 L)

Drainage Time: +/- 120 seconds at ideal plumbing conditions (unoccupied)

Included Features:

1. Acrylic Tub Shell
 - Gloss white finish
 - Fiberglass gelcoat reinforced
2. Stainless steel frame with adjustable leveling Legs.
3. Inward swinging removable brushed stainless-steel door with a frosted tempered glass.
4. Each drain has two (2) 2-inch outlets, one overflow and a stainless steel cable operated opener with an extended handle in chrome finish.
5. Two (2) front and one (1) end reversible removable access panel.
6. Removable swivel tray in a white matte finish.
7. Digital control pad, and push controls for Hydro + Hydro option
8. 16" Towel Bar

Jetting & Therapy Options:

1. Air + Hydro + Hydro/Foot Massage (Multicolor LED Light Included)
2. Air + Hydro + Hydro/Foot Massage + Microbubble (Multicolor LED Light Included)

Note: LED Light (0.5 AMP, 60 W)



Included Features:

- Digital control pad
- Multicolor LED light

Jetting & Therapy Options

Faucet Options

Hydro Massage

- Hydro Massage Pump (7 AMP, 840 W)
- Hydro Massage Intensity Dial Control
- 18 upper jets (hips and back) & 8 lower jets (feet and calves)
- On/Off Push Control

Hydro Foot Massage

- Hydro Massage Pump (9 AMP, 1080 W)
- Hydro Massage Intensity Dial Controls
- Ozone Sterilization (1 AMP, 120 W)
- 8 lower independent jets (feet and calves)
- On/Off push control
- In-Line Water Heater (5.5 AMP, 660 W)

Two-Piece Fast Fill Faucets

- Up to 16 GPM @ 60 PSI an ideal in-home plumbing condition
- Two 5' water supply lines with 3/4" connectors
- Pull out, hand-held, chrome plated hand shower with a 5' ft. retractable stainless steel braided hose

Air Massage

- Air Massage Pump (4.5 AMP / 540 W)
- 3 Speed Pump
- Auto-purge (Activates 20 minutes after pump shutdown)
- 16 upper Jets (hips and back) & 3 lower jets (feet and calves)
- On/Off push control

Microbubble Therapy

- Hydro Pressure Pump (10 AMPS, 1200 W)
- Pressure Tank
- 1 Microbubble Jet
- On/Off push control



Optional Features

Heated Seat and Backrest

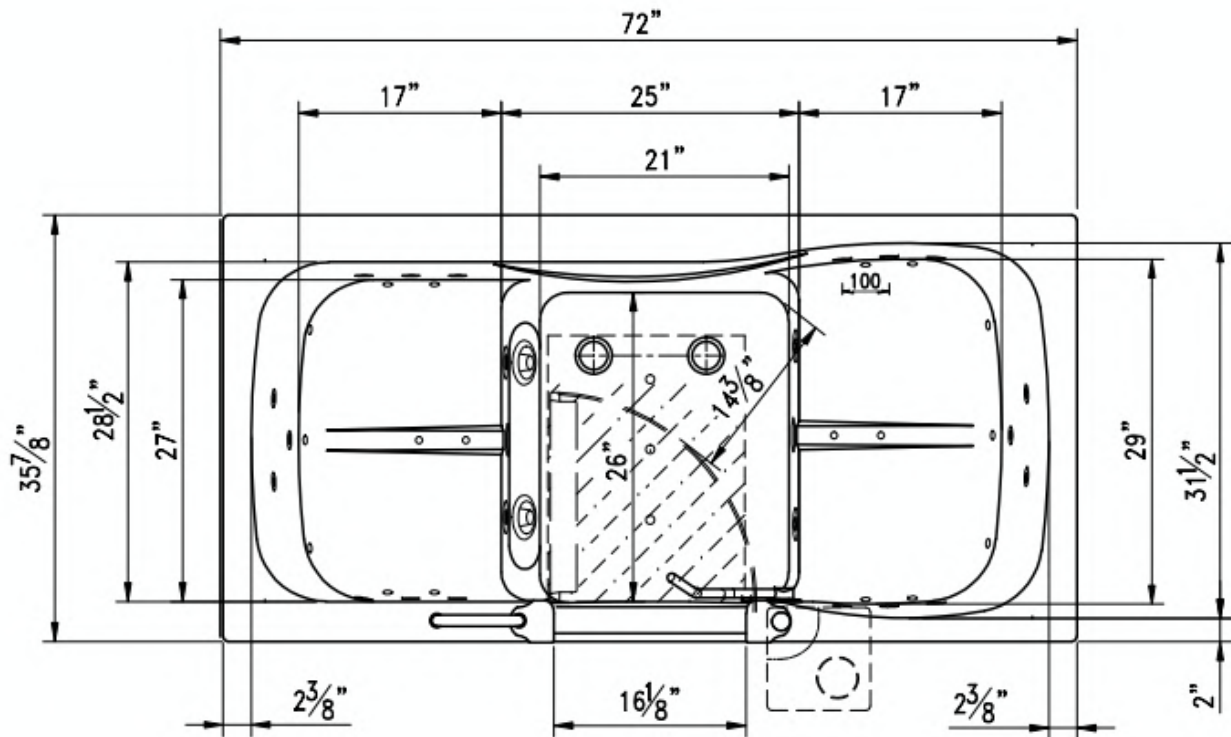
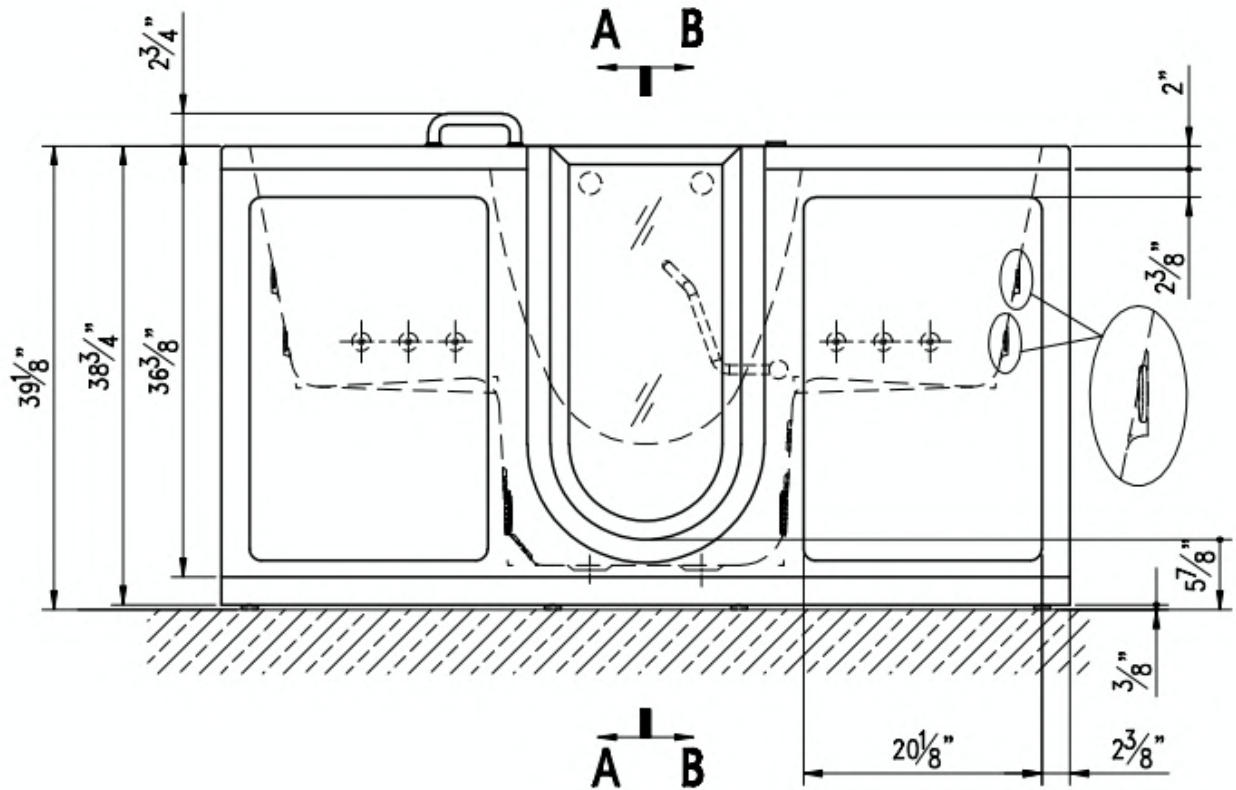
Electrical Requirements

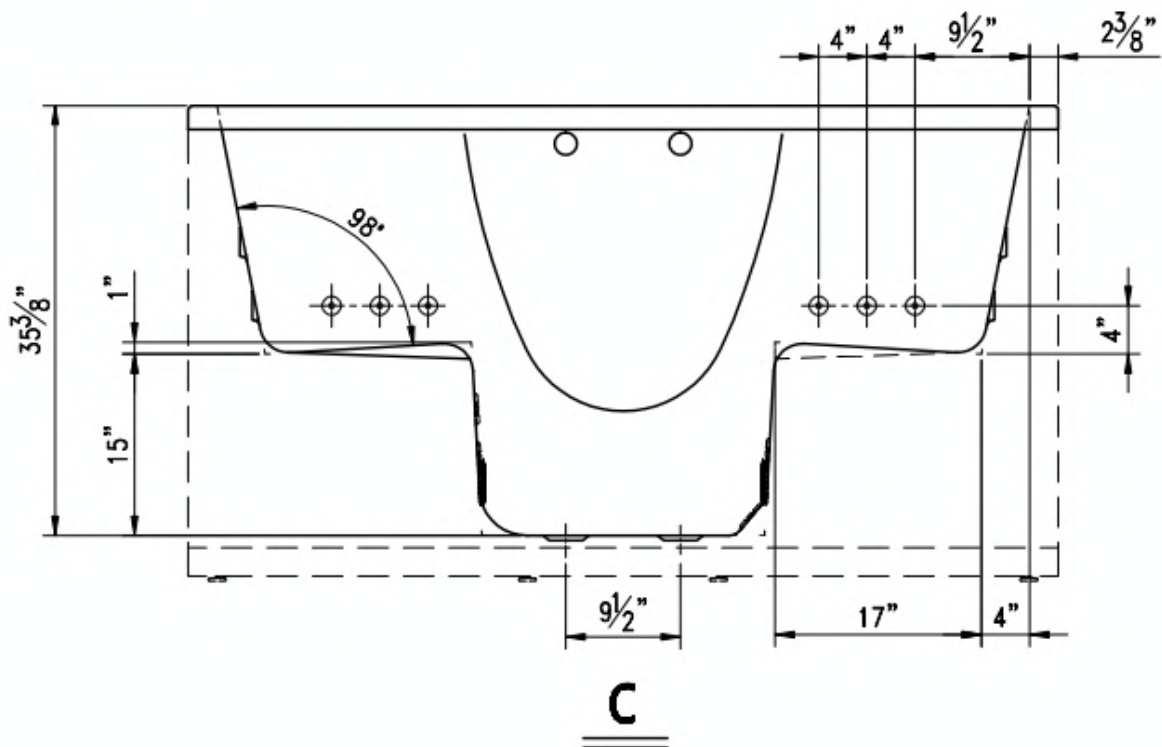
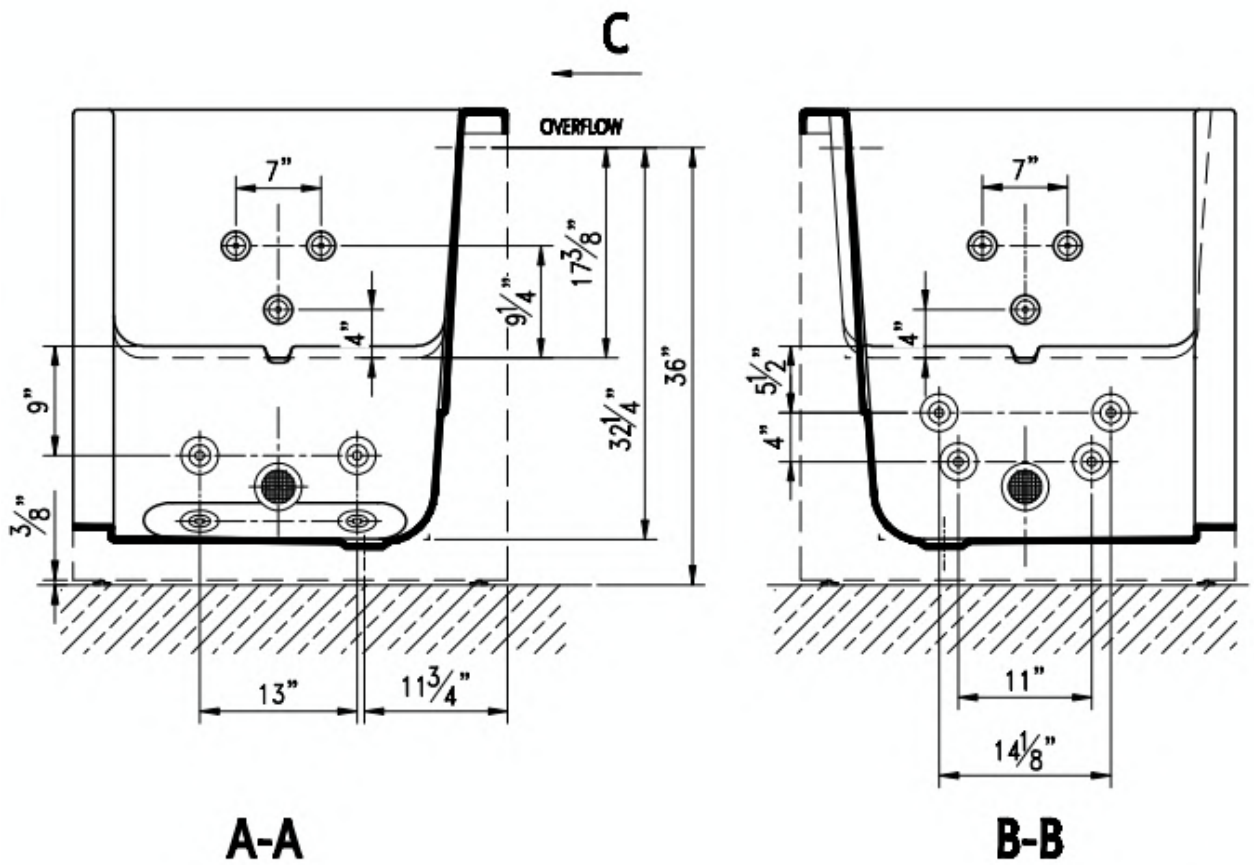
Dedicated GFCI protected electrical line(s) required

Warranty

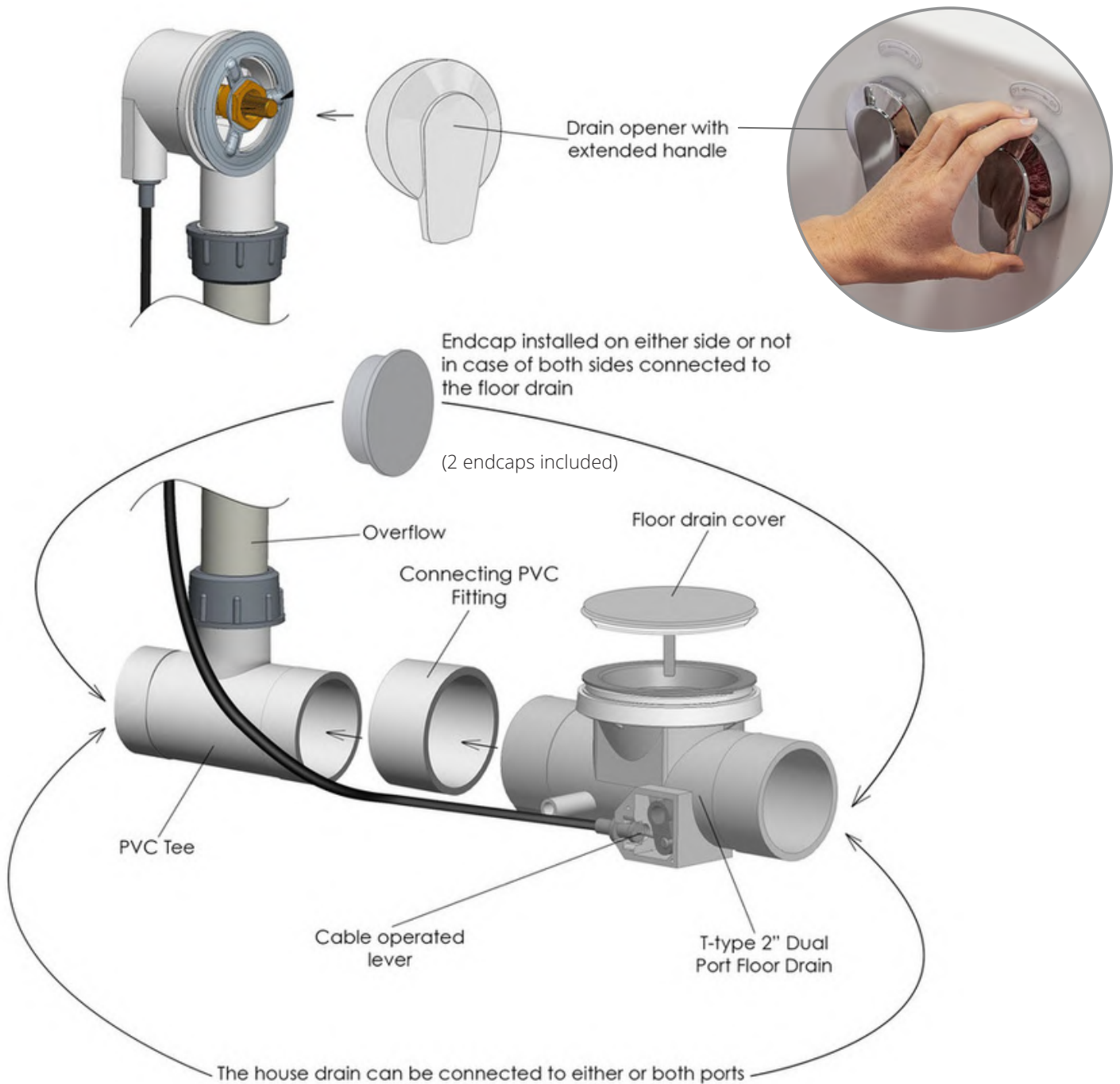
- Lifetime limited* warranty on shell, frame, door, and parts to original purchaser/Address • Labor or installation is not covered - please refer to the Ella warranty certificate
- Non Ella brand faucets covered under manufacturers original warranty

Disclaimer*: AMP value for each pump may change based on availability. Please verify before purchase. (800.480.6850)





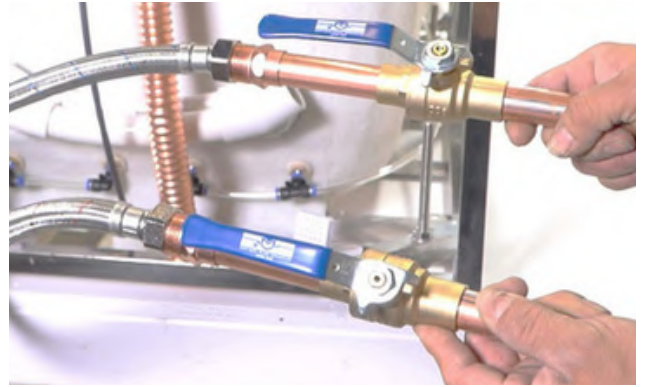
Dual Drain Technology - Two 2 Inch Independent Floor Drains



Two 3/4" connector water supply lines included with Ella Fast Fill Faucets



Connect to Shut Off Valves (not included)



All electrical fixtures connect to a dedicated GFCI protected outlet.



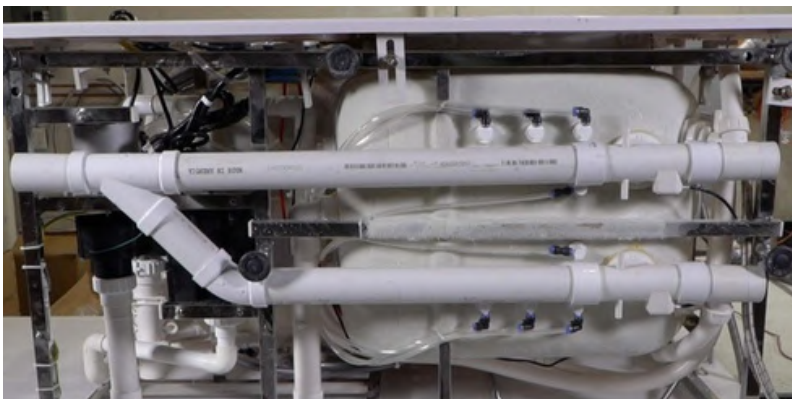
Drain Cap

Use a drain cap to close unused drain port.



T-Type four (4) 2" drain ports allow for the drain pipe to be installed in either direction.

Images below show examples of PVC pipe connections (not included). Reducers can be used to connect smaller drain pipes.





Ella 2 Piece Single Lever Fast-Fill Faucet

Description

Solid brass spout chrome finish single lever high flow bathtub faucet with diverter button Two (2) 3/4" 5' braided stainless-steel supply lines Pull out hand shower mixer with 5 settings and 5' braided hose in a Chrome or Brushed Nickel finish.

Flow

- Hand shower is limited to 1.9 GPM (7.5L/min)
- Faucet fill rate designed for 16 GPM (68.1L/min)

Cartridge

- 40mm high flow cartridge design
- Nonmetallic/nonferrous and stainless-steel material

Standards

- Third party certified to meet: CSA B125.1, ASMEA112.18.1, ICC117.1 and all applicable requirements referenced therein
- Certified to ANSI/NSF 61/9
- ADA for lever/handle
- IAPMO R&T UPC certified

NOTE: This faucet is designed to be installed through: 2-1/2" diameter hole for faucet, 1/3" diameter hole for mounting rods, and a 7/8" diagonal hole for the hand shower.

