

**Actual Size:** 32" x 40 x 42 • (81 cm x 102cm x 107 cm)

**Seat Width:** 24" • (61 cm)

**Shipping Size:** 34" x 43" x 50" • (86 cm x 109 cm x 127 cm)

**Net Weight:** 200 lbs. • (91 kg)

**Shipping Weight:** 280 lbs. • (127 kg)

**Unoccupied Water Capacity:** 70 gal. • (265 L)

**Occupied Water Capacity:** 25-55 gal. • (95 - 208 L)

**Drainage Time:** +/- 140 seconds at ideal plumbing conditions (unoccupied)

### Included Features:

1. Acrylic Tub Shell
  - Gloss white finish
  - Fiberglass gelcoat reinforced
2. Stainless steel frame with adjustable leveling Legs.
3. Outward swinging custom crafted industrial plastic composite door with tempered glass.
4. Two (2) access panels.
5. One (1) 2 inch PVC drains T-type, two (2) outlet drains with end caps, one (1) overflow and a stainless steel cable operated opener with extended handle in chrome finish.

### Jetting & Therapy Options:

1. Air + Hydro (Multicolor LED Light Included)
2. Hydro Massage (Multicolor LED Light Not Included)
3. Hydro Massage + Microbubble (Multicolor LED Light Included)
4. Soaking Option Only (Multicolor LED Light Not Included)



### Jetting Options

#### Hydro Massage

- Hydro Massage Pump 5AMP 600W \*
- Hydro Massage Intensity Dial Control
- Ozone Sterilization 1AMP
- 13 jets
- On/Off Push Control
- In-line Water Heater 5.5AMP 650W \*

#### Air Massage

- Air Massage Pump 4.5AMP 486W \*
- 3 Speed Pump
- Auto-purge (Activates 20 minutes after pump shutdown)
- 16 jets
- On/Off push control

#### Microbubble Therapy

- Air Pressure Pump 10AMP 1200W \*
- Pressure Tank
- On/Off push control

#### Electrical Requirements

Dedicated GFCI protected electrical line(s) required

#### Optional Features

1. Heated Seat and Backrest 4AMP 470W
2. Digital Controller

### Faucet Options

#### Two-Piece Fast Fill Faucet

- Up to 10 16 GPM @ 60 PSI an ideal in-home plumbing conditions
- Two 5' water supply lines with 3/4" connectors
- Pull out, hand held, chrome plated hand shower with a 5' ft. retractable stainless steel braided hose

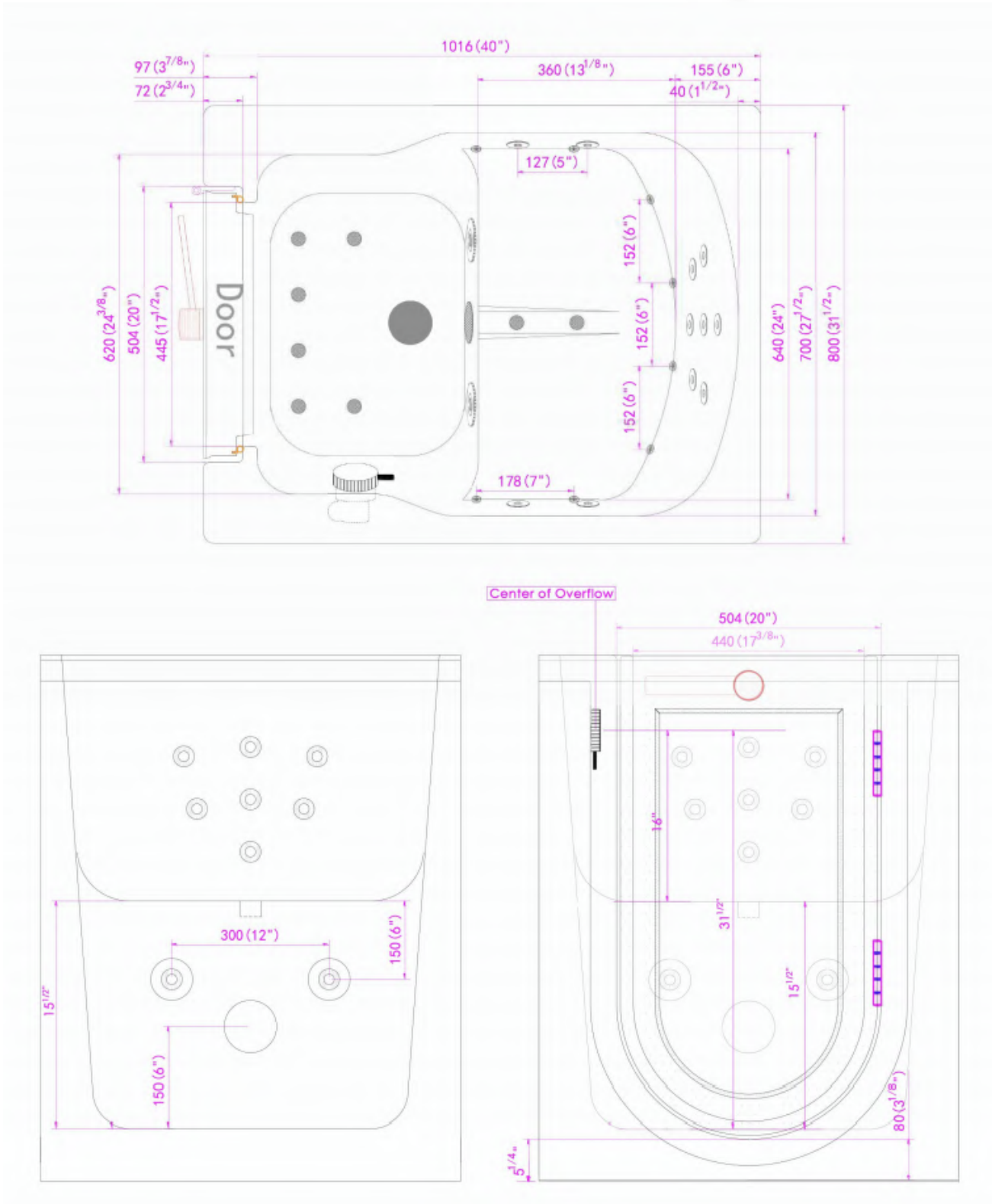


#### Warranty

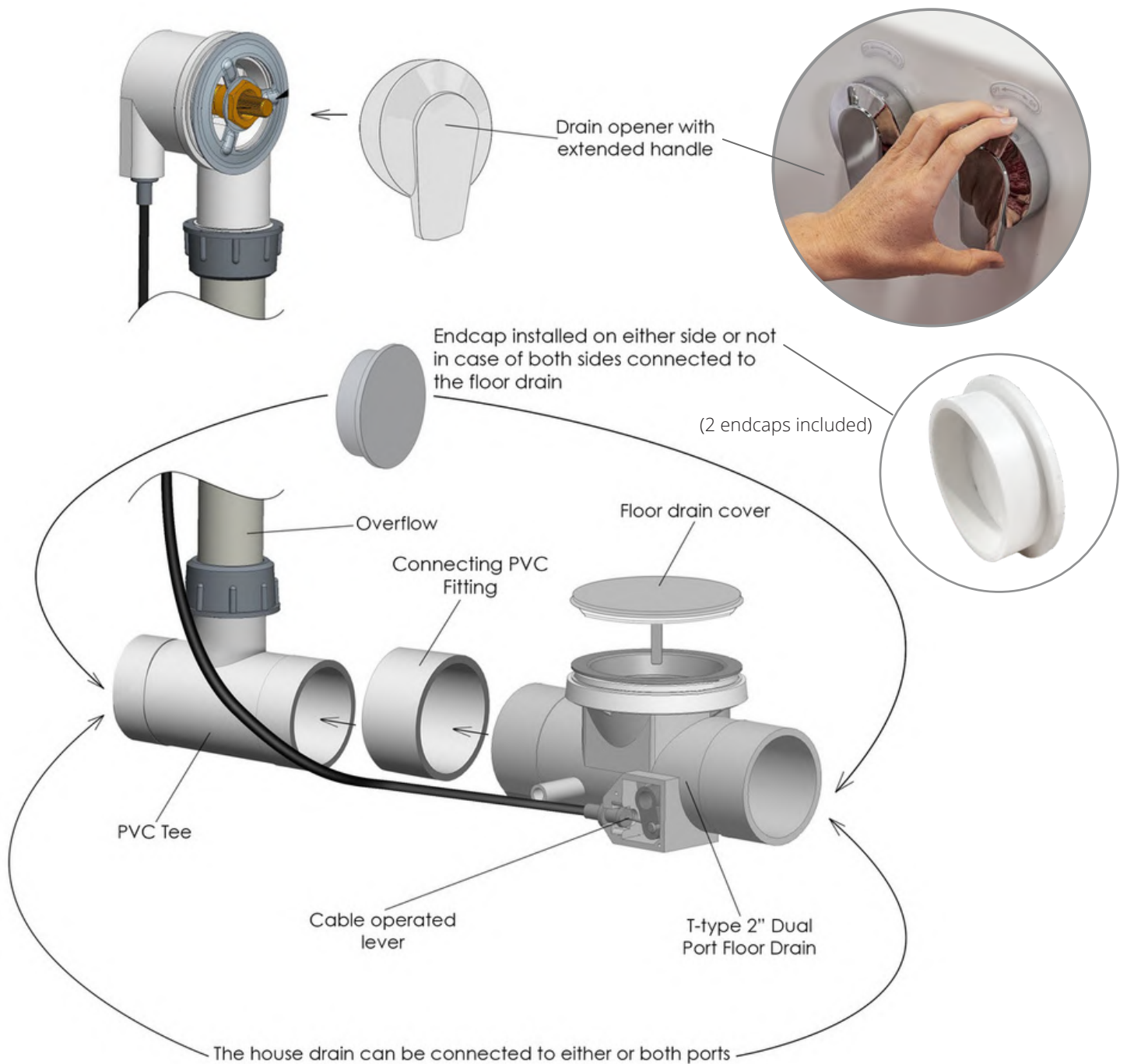
- Lifetime limited\* warranty on shell, frame, door, and parts to original purchaser/Address
- Labor or installation is not covered - please refer to the Ella warranty certificate
- Non Ella brand faucets covered under manufacturers original warranty

**Note:** Multicolor LED light .04AMP with On/Off push control is included with the following dual packages: Hydro + Air, Hydro + Micro, Hydro + Hydro

**Disclaimer\*:** AMP value for each pump may change based on availability. Please verify before purchase. (800.480.6850)



## Dual Drain Technology - Two 2 Inch Independent Floor Drains



Two 3/4" connector water supply lines included with Ella Fast Fill Faucets



Connect to Shut  
Off Valves  
(not included)



All electrical fixtures  
connect to a dedicated  
GFCI protected outlet.



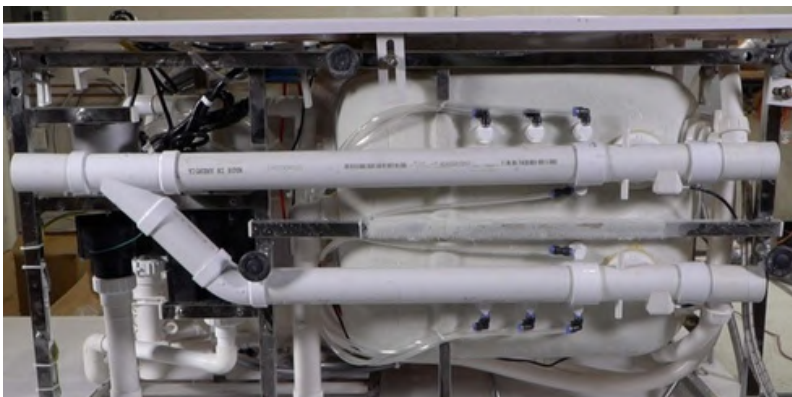
Drain Cap

Use a drain cap to close  
unused drain port.



T-Type four (4) 2" drain ports  
allow for the drain pipe to be  
installed in either direction.

Images below show examples of PVC pipe  
connections (not included). Reducers can  
be used to connect smaller drain pipes.







# Ella 2 Piece Single Lever Fast-Fill Faucet

## Description

Solid brass spout chrome finish single lever high flow bathtub faucet with diverter button Two (2) 3/4" 5' braided stainless-steel supply lines Pull out hand shower mixer with 5 settings and 5' braided hose in a Chrome or Brushed Nickel finish.

## Flow

- Hand shower is limited to 1.9 GPM (7.5L/min)
- Faucet fill rate designed for 18 GPM (68.1L/min)

## Cartridge

- 40mm high flow cartridge design
- Nonmetallic/nonferrous and stainless-steel material

## Standards

- Third party certified to meet: CSA B125.1, ASMEA112.18.1, ICC117.1 and all applicable requirements referenced therein
- Certified to ANSI/NSF 61/9
- ADA for lever/handle
- IAPMO R&T UPC certified

**NOTE:** This faucet is designed to be installed through:

2-1/2" diameter hole for faucet, 1/3" diameter hole for mounting rods, and a 7/8" diagonal hole for the hand shower.

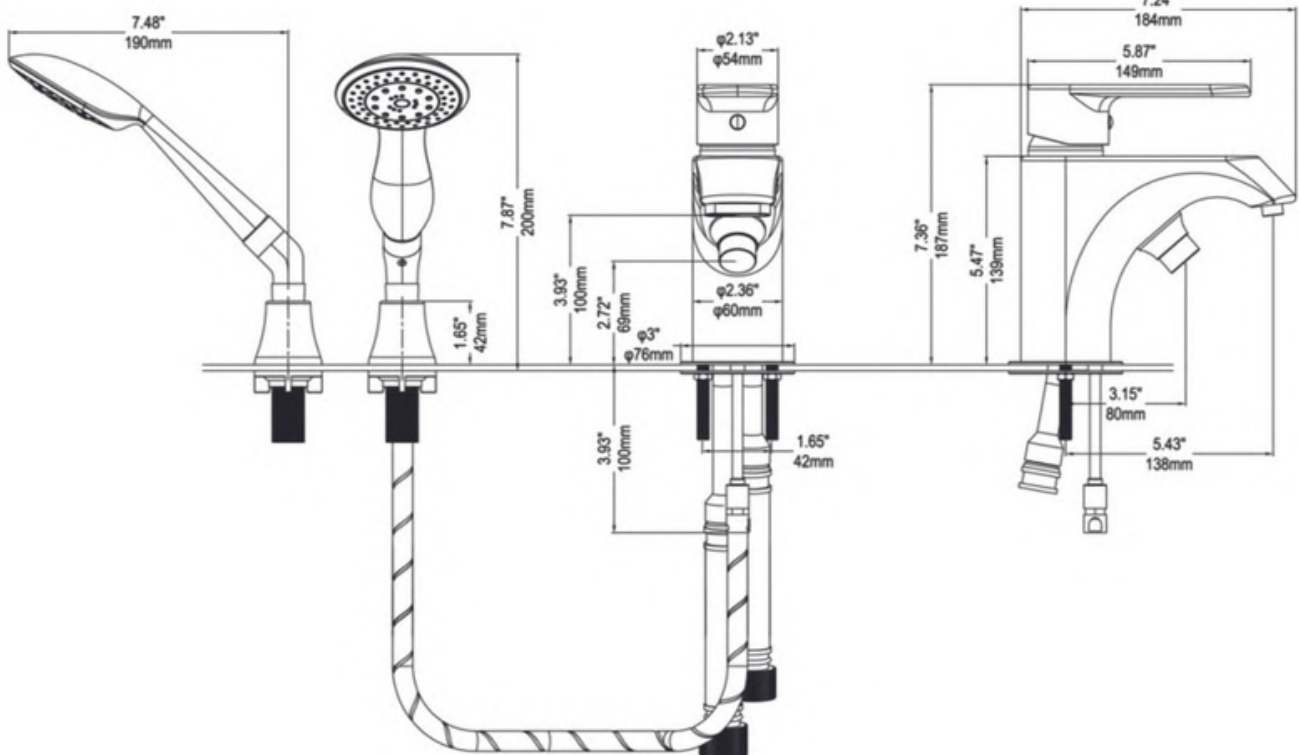
Hold and Cold ON/OFF Lever

Brushed Nickel Finish

Spout

Chrome Finish

ON/OFF Push Diverter For the Hand Shower



# Replacing A Valve Cartridge

Step-by-step Instructions to replace a valve cartridge for Ella 2-piece faucets.

Step.1 Remove the Hot/Cold screw hole cover.



Step.2 Use an Allen wrench to remove the handle Screw.



Step.3 Take out the handle and remove the brass escutcheon



Step.4 Use a wrench to unscrew the pressure cap.



Step.5 Remove the cartridge and replace it with new piece.

