

**Actual Size:** 36" x 80" x 42" • (91 cm x 203 cm x 107 cm)

**Seat Width:** 21" & 26" • (53 cm & 66 cm)

**Shipping Size:** 82" x 38" x 50" • (208 cm x 97 cm x 127 cm)

**Net Weight:** 481 lbs. • (218 kg)

**Shipping Weight:** 250 lbs. • (113 kg)

**Unoccupied Water Capacity:** 145 gal. • (549 L)

**Occupied Water Capacity:** 85-135 gal. • (322 - 511 L)

**Drainage Time:** +/- 180 seconds at ideal plumbing conditions (unoccupied)

## Included Features:

1. Acrylic Tub Shell
  - Gloss white finish
  - Fiberglass gelcoat reinforced
2. Stainless steel frame with adjustable leveling Legs.
3. Plastic composite tempered glass U-shape outward swing door with a 3 latch gear and shaft door mechanism.
4. Two (2) 2 inch PVC drains with 2 end caps included. Each drain has two (2) 2 inch outlets, one overflow and a stainless steel operated opener with an extended handle in a chrome finish.
5. Two (2) front and one (1) end reversible removable access panel .
6. Two (2) 2pc Fast-Fill Faucets with retractable pull-out hand showers.

## Jetting & Therapy Options:

1. Air + Hydro + Hydro/Foot Massage + Microbubble (Multicolor LED Light Included)

2. Air + Hydro + Hydro/Foot Massage (Multicolor LED Light Included)



## Jetting Options

### Hydro Massage

- Hydro Massage Pump 5AMP 600W \*
- Hydro Massage Intensity Dial Control
- Ozone Sterilization 1AMP
- 24 jets
- On/Off Push Control
- In-line Water Heater 5.5AMP 650W \*

### Hydro + Hydro Foot Massage

- 2 Hydro Massage Pumps 2x 5AMP 600W\*
- 2 Hydro Massage Intensity Dial Controls
- Ozone Sterilization 1AMP
- 24 jets
- On/Off push control
- In-Line Water Heater 5.5AMP 650W \*

### Air Massage

- Air Massage Pump 4.5AMP 486W \*
- 3 Speed Pump
- Auto-purge (Activates 20 minutes after pump shutdown)
- 16 jets
- On/Off push control

### Microbubble Therapy

- Air Pressure Pump 10AMP 1200W \*
- Pressure Tank
- On/Off push control

## Faucet Options

### Two-Piece Fast Fill Faucet (2)

- Up to 16 GPM @ 60 PSI an ideal in-home plumbing conditions
- Two 5' water supply lines with 3/4" connectors
- Pull out, hand held, chrome plated hand shower with a 5' ft. retractable stainless steel braided hose



## Optional Features

1. Heated Seat and Backrest 4AMP 470W
2. Digital Controller

**Disclaimer\*:** AMP value for each pump may change based on availability. Please verify before purchase. (800.480.6850)

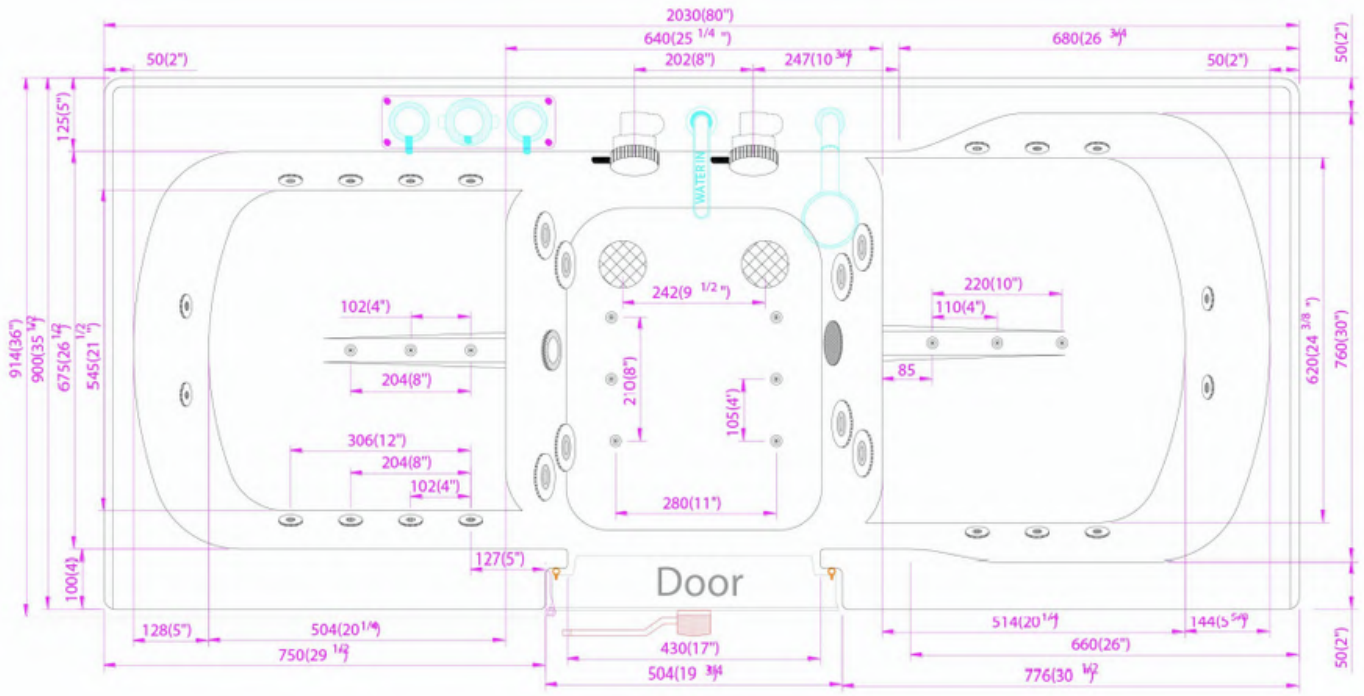
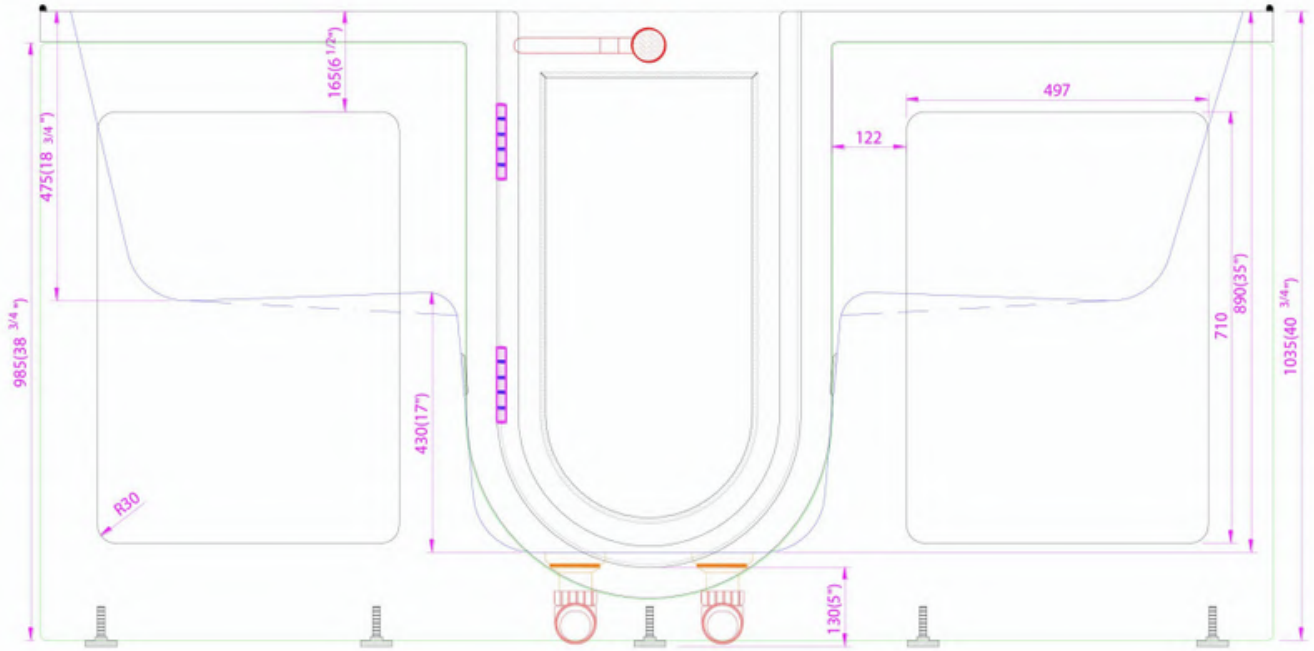
## Electrical Requirements

Dedicated GFCI protected electrical line(s) required

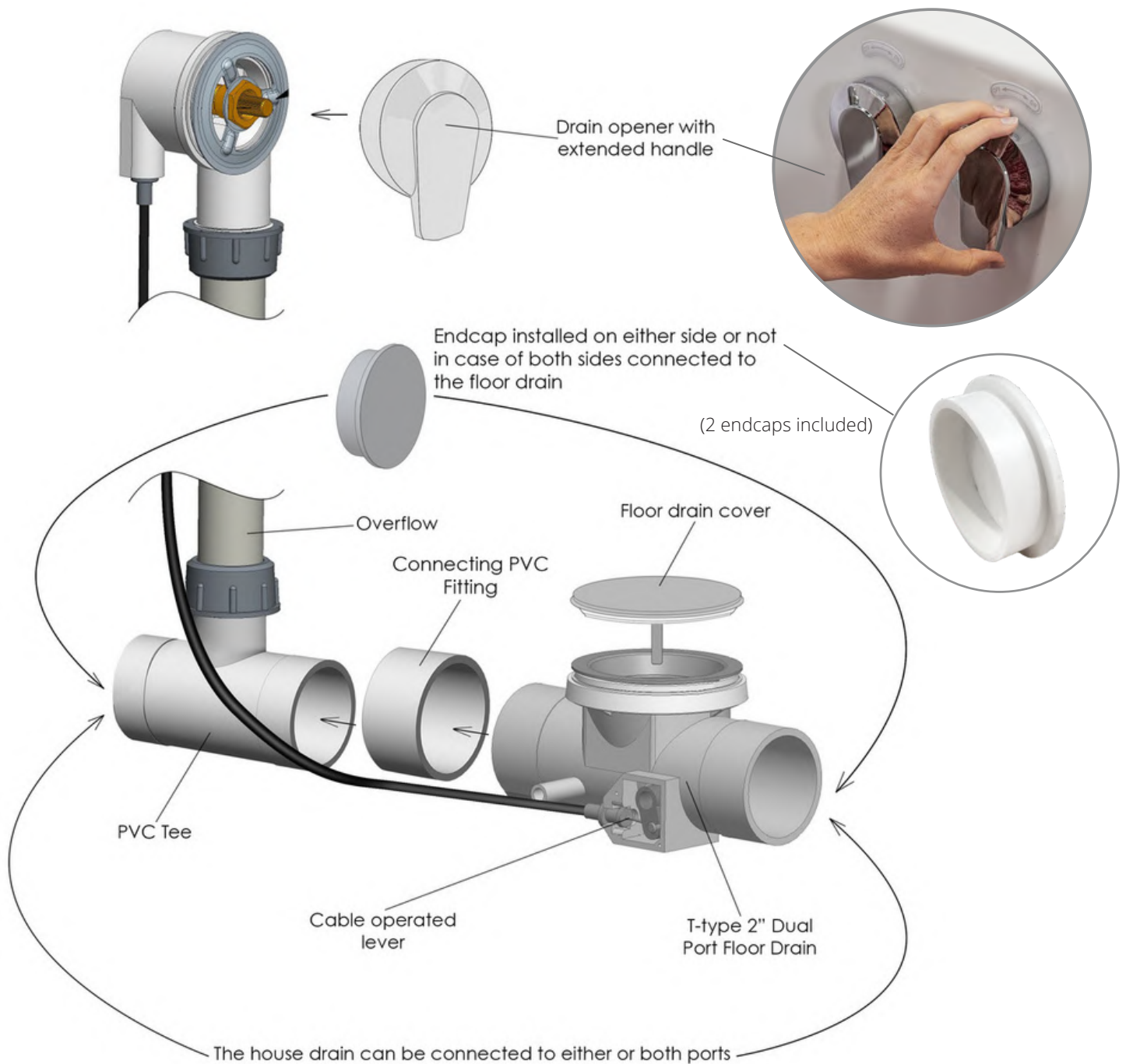
## Warranty

- Lifetime limited\* warranty on shell, frame, door, and parts to original purchaser/Address
- Labor or installation is not covered - please refer to the Ella warranty certificate
- Non Ella brand faucets covered under manufacturers original warranty

# Big4Two Acrylic Outward Swing Door Walk-In Bathtub Specifications



## Dual Drain Technology - Two 2 Inch Independent Floor Drains



Two 3/4" connector water supply lines included with Ella Fast Fill Faucets



Connect to Shut  
Off Valves  
(not included)



All electrical fixtures  
connect to a dedicated  
GFCI protected outlet.



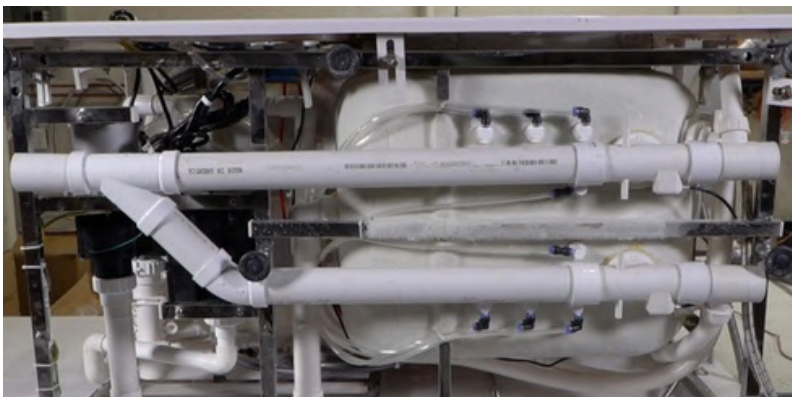
Drain Cap

Use a drain cap to close  
unused drain port.



T-Type four (4) 2" drain ports  
allow for the drain pipe to be  
installed in either direction.

Images below show examples of PVC pipe  
connections (not included). Reducers can  
be used to connect smaller drain pipes.



# Ella 2 Piece Single Lever Fast-Fill Faucet

**Description**

Solid brass spout chrome finish single lever high flow bathtub faucet with diverter button Two (2) 3/4" 5' braided stainless-steel supply lines Pull out hand shower mixer with 5 settings and 5' braided hose in a Chrome or Brushed Nickel finish.

**Flow**

- Hand shower is limited to 1.9 GPM (7.5L/min)
- Faucet fill rate designed for 18 GPM (68.1L/min)

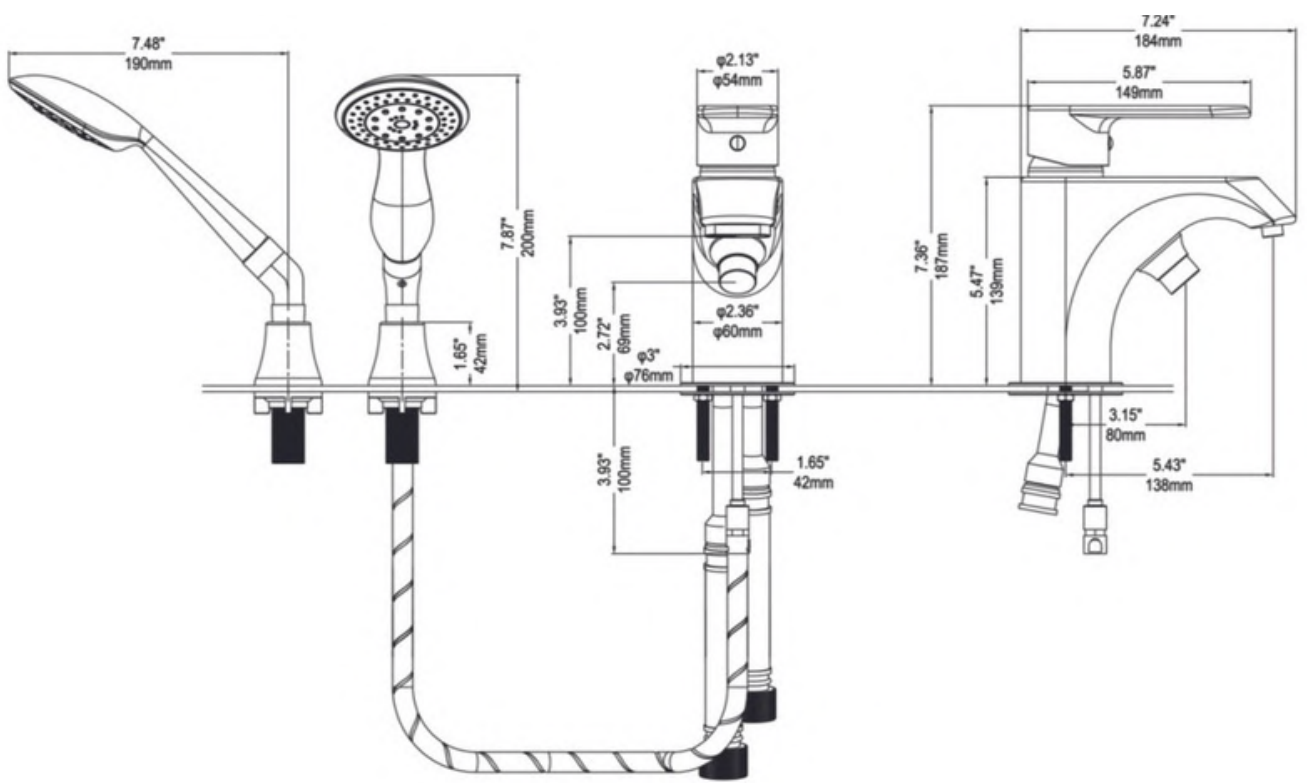
**Cartridge**

- 40mm high flow cartridge design
- Nonmetallic/nonferrous and stainless-steel material

**Standards**

- Third party certified to meet: CSA B125.1, ASMEA112.18.1, ICC117.1 and all applicable requirements referenced therein
- Certified to ANSI/NSF 61/9
- ADA for lever/handle
- IAPMO R&T UPC certified

**NOTE:** This faucet is designed to be installed through: 2-1/2" diameter hole for faucet, 1/3" diameter hole for mounting rods, and a 7/8" diagonal hole for the hand shower.



# Replacing A Valve Cartridge

Step-by-step Instructions to replace a valve cartridge for Ella 2-piece faucets.

Step.1 Remove the Hot/Cold screw hole cover.



Step.2 Use an Allen wrench to remove the handle Screw.



Step.3 Take out the handle and remove the brass escutcheon



Step.4 Use a wrench to unscrew the pressure cap.



Step.5 Remove the cartridge and replace it with new piece.

