

**Description**

Solid brass spout in a chrome finish with a 5-setting pull out hand shower mixer including a 5' braided hose. Two 3/4" 5' braided stainless-steel supply lines are included along with Cold/Hot levers with a diverter for the hand mixer.

**Flow**

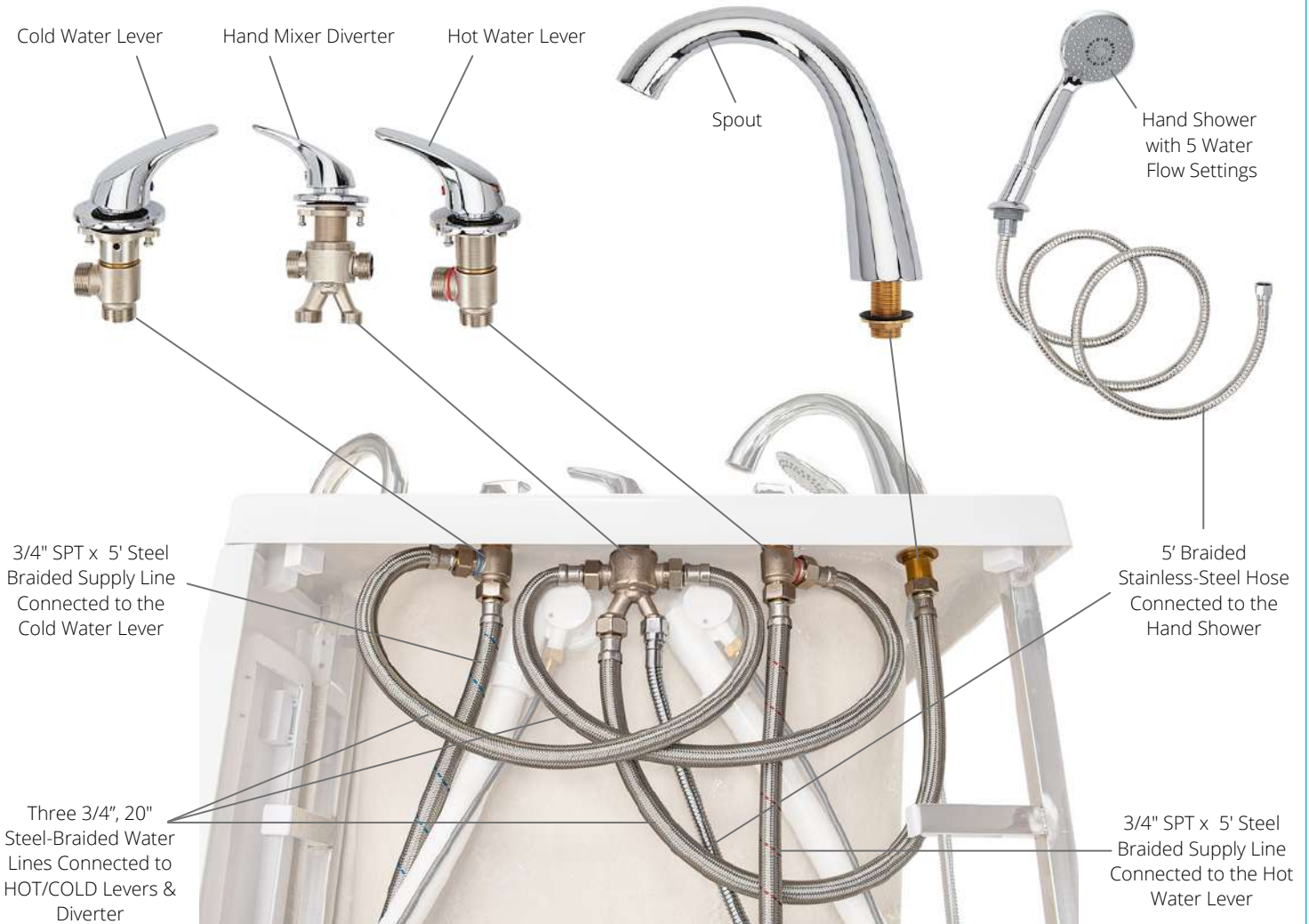
- Hand shower is limited to 1.9 GPM (7.5L/min)
- Faucet fill rate designed for 18 GPM (68.1L/min)

**Cartridge**

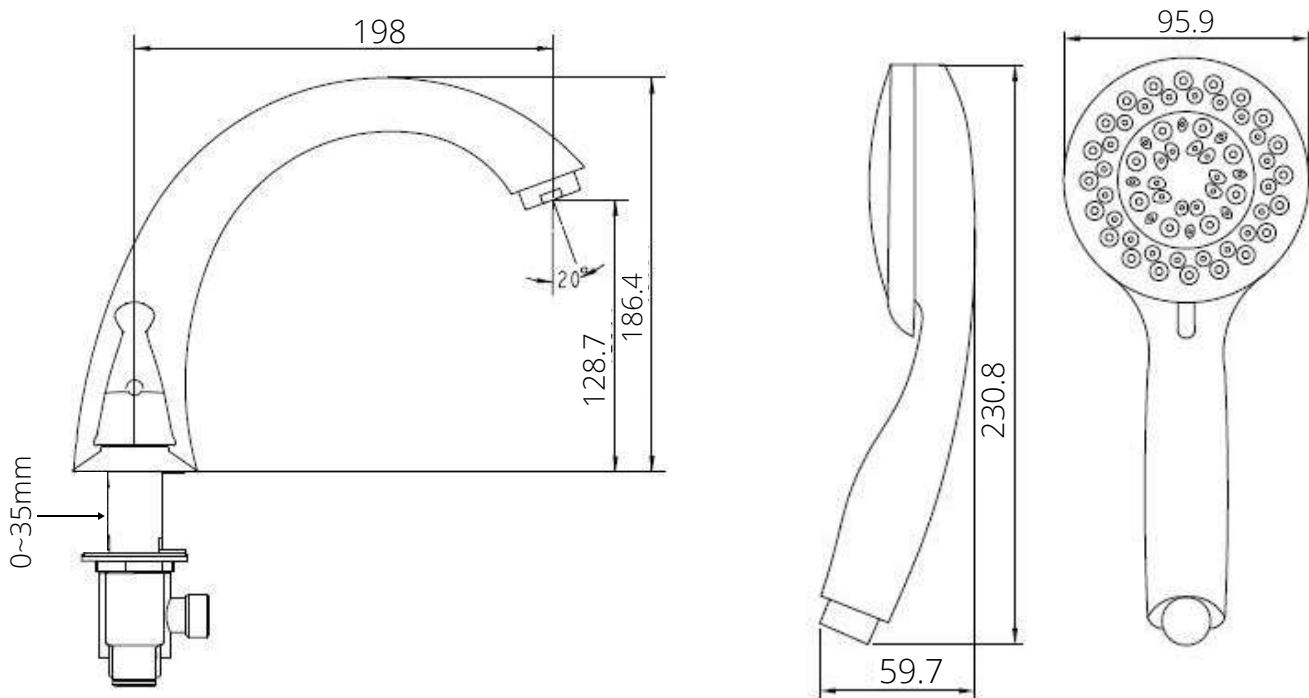
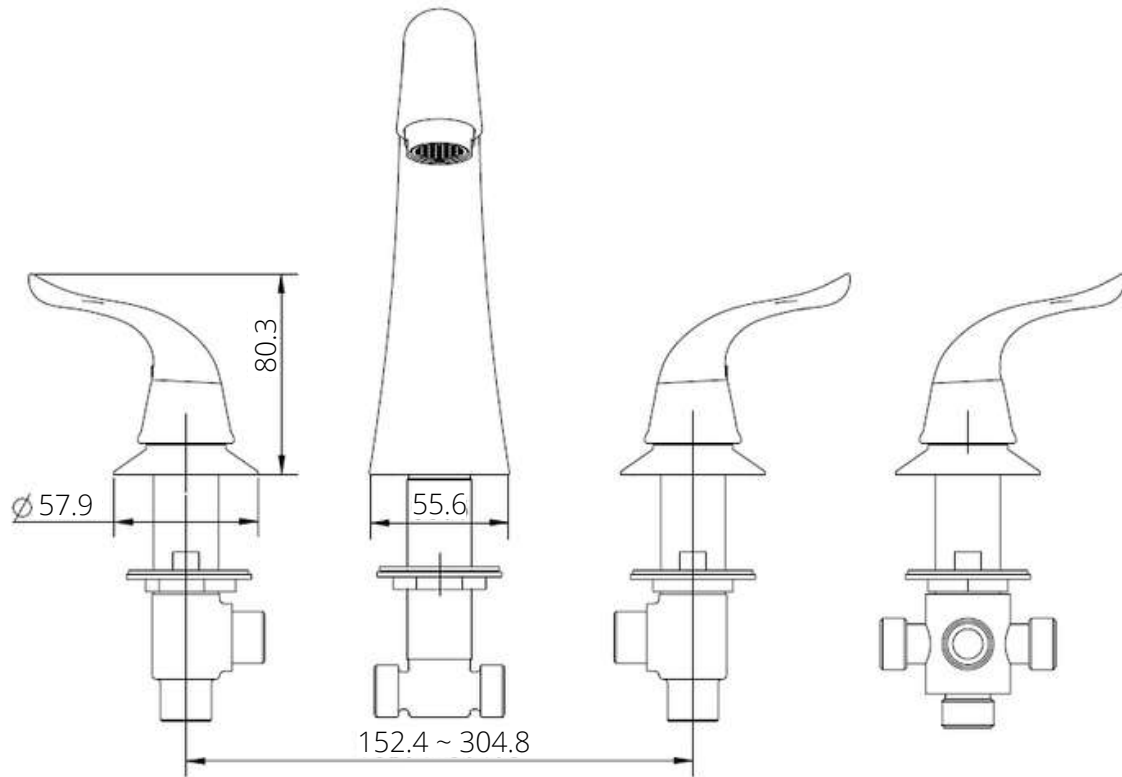
- 40mm high flow cartridge design
- Nonmetallic/nonferrous and stainless-steel material



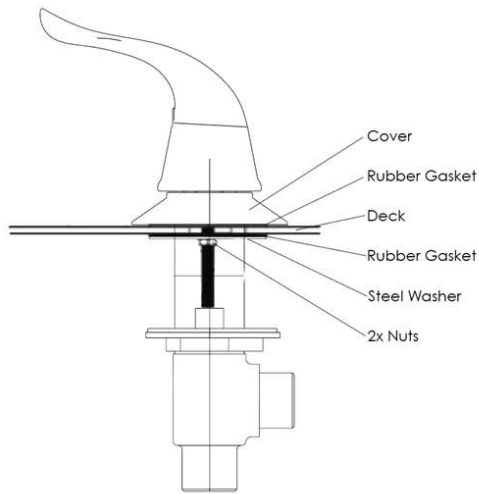
## Ella 5 Piece Fast-Fill Faucet Contents



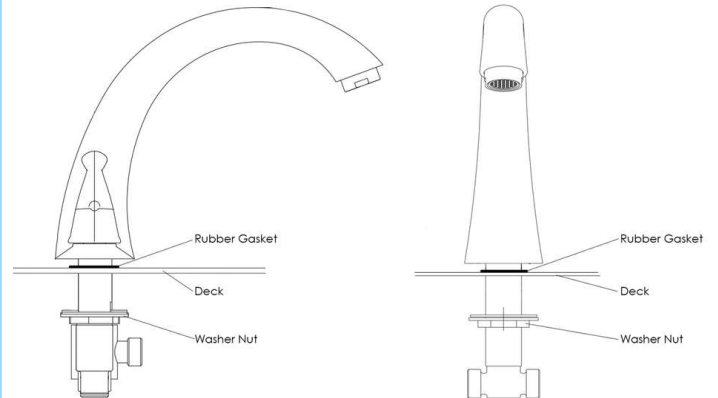
# Ella 5 Piece Single Lever Fast-Fill Faucet



Step-by-step Instructions to install an Ella 5-piece faucet.



**1.** Unscrew the 2 nuts securing the steel washer and rubber gasket. In this order, remove the steel washer and rubber gasket, place your lever on the deck, replace the rubber gasket and the steel washer. Firmly secure the 2 nuts to hold the fixture in place.



**2.** Unscrew the washer nut and place the rubber gasket and spout above the deck. After, secure the washer nut from underneath the deck.

**3.** Remove the plastic nut and insert your hand mixer and hose into your deck opening. Re-secure the plastic nut underneath the deck to hold the hand mixer and housing firmly in place.

**4.** Connect the supply lines provided with your Ella 2-Piece Fast Fill Faucet to their respective hot and cold connections.

