

# Ella Shower Column Kit for Walk-In Tub Deck Mount Faucets

**A:** Stainless steel, chrome finish shower column attached to the deck of the walk-in tub. Connected to a diverter of 2 piece or 5 piece fast-fill faucet. Stainless steel, braided 1/2" water supply line is included, connecting the faucet and shower column.

**B:** Pull-out top portion of the shower column is secured with a rotating lock on the handle. (I)

**C:** 10" pivoting rain shower head, plated with PVC chrome.

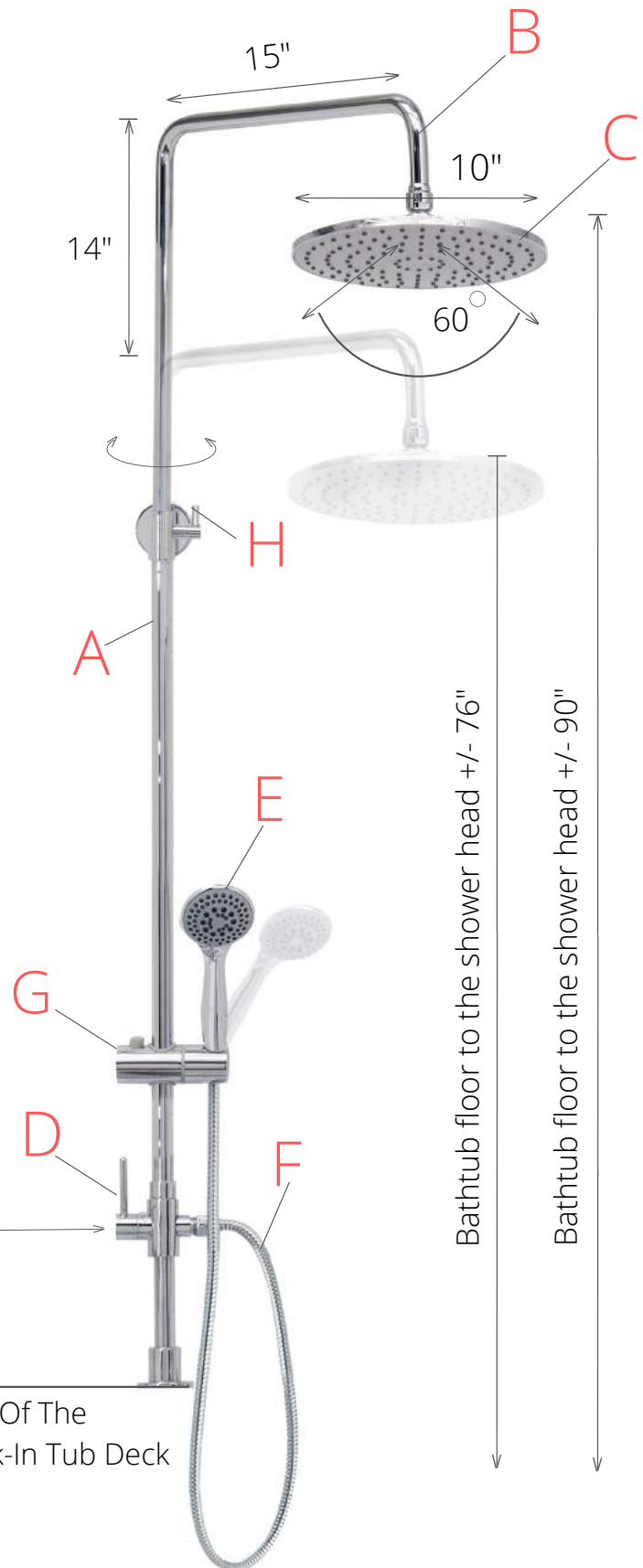
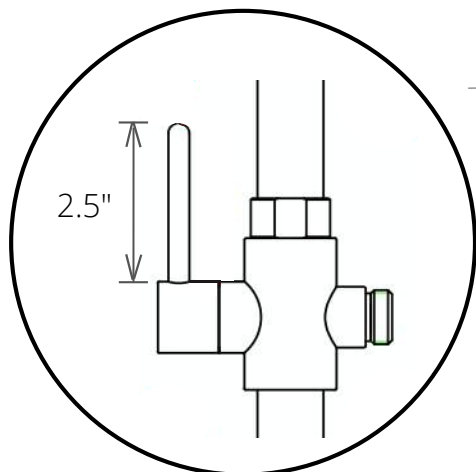
**D:** ON/OFF diverter for rain shower head or pull-out hand shower.

**E:** 5 mode multi-functional hand shower.

**F:** 5' long stainless steel braided pull-out hose. (The kit does not include the pull-out hose or hand shower. You must use the hand shower with hose of your new or existing 2 or 5 piece faucet).

**G:** Adjustable height and angle bracket for hand shower.

**H:** Diverter to adjust the column height



# Ella Shower Column Kit for Walk-In Tub Deck Mount Faucets



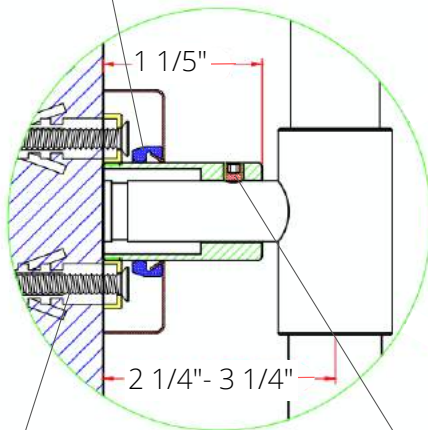
The The shower column is attached to the wall with either a short or long pipe connector. The long pipe can range between 9 3/4" to 10 3/4". The short pipe can range between 2 1/4" to 3 1/4". These two images show a short pipe connector.

## Choosing The Right Pipe Connector

The long pipe connector is used when the walk-in tub extension panel/filler is used in an alcove (3 wall) installation. The short pipe connector is used to attach the shower column to the wall when the gap between the center of the shower column and the wall.



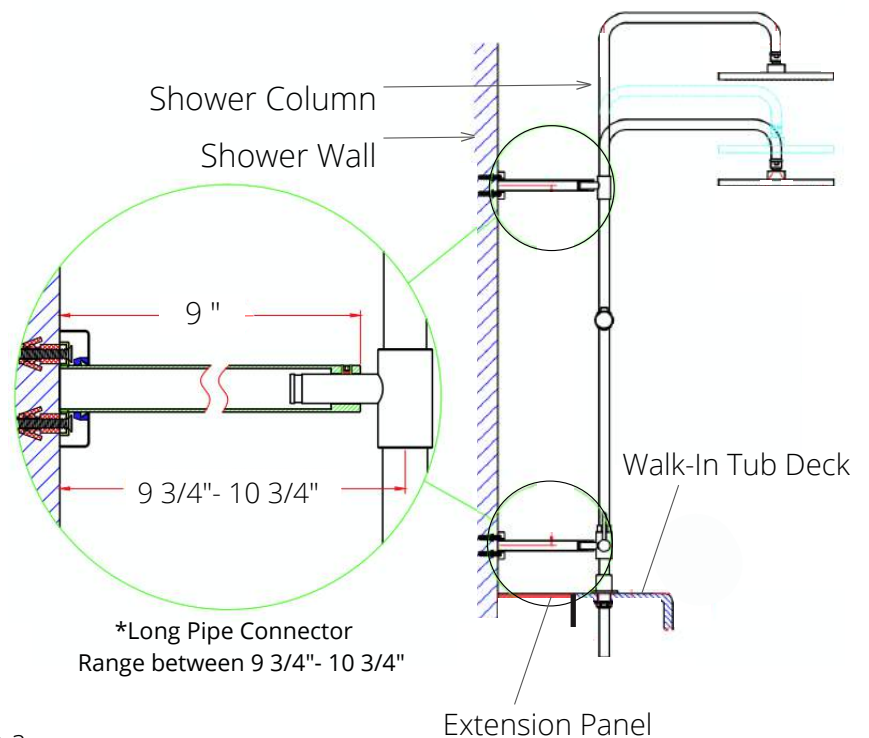
The pipe is screwed in a threaded connection



\*Short Pipe Connector  
Range between 2 1/4" - 3 1/4"

Anchor and screw

Secured with a hexagon lug nut



\*Long Pipe Connector  
Range between 9 3/4" - 10 3/4"

Extension Panel

# Ella Shower Column Kit for Walk-In Tub Deck Mount Faucets

This modern and beautiful complete shower kit features a chrome column that holds a large overhead rain shower, as well as an adjustable slider that allows you to select the best height to place the handheld showerhead unit. We found a simple solution for you to upgrade your existing shower system, without having to go through a full bathroom renovation.

This shower kit replaces the need for a wall-mounted showerhead, allowing you to have a dual shower system that includes a luxurious overhead rain shower and a powerful handheld showerhead. Please note, the 2 showerheads cannot spray simultaneously and for added safety, the shower rail is anchored to the wall with screws. Immerse yourself in a truly relaxing shower experience and enjoy the modern style of this beautifully designed shower column.



2pc faucet with hand shower and  
shower column



5pc faucet with hand shower and  
shower column

**\*DISCLAIMER:** The shower column kit can only be installed on walk-in tubs with either a 2 or 5 piece faucet. The hand shower and hose are not included with the kit.