

Royal

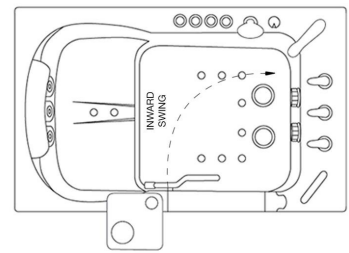
Actual Size: 31 x 52 x 38
Seat Width: 23.75 inches
Shipping Size: 34 x 54 x 50
Shipping Weight: 285 lbs.
Net Weight: 210 lbs.
Unoccupied Water Capacity: 85 gal.
Occupied Water Capacity: 45-65 gal.
Drainage Time: +/- 80 sec at ideal home plumbing conditions

Included Features

- Acrylic Tub Shell
 - Gloss white finish
 - Fiberglass gelcoat reinforced
- Stainless steel frame with adjustable leveling Legs
- Inward swinging removable brushed stainless steel door with a frosted tempered glass
- Two front and one end reversible, removable access panel
- Stainless steel chrome finish U-shape deck & wall mount grab bars
- Reversible extension panel, filler for 60" alcove installations
- Removable swivel tray in a white matte finish
- Two (2) 2" PVC T-type two outlet drains with two (2) endcaps included.
Two (2) overflows and stainless steel cable operated openers with extended handles for an easier grip in a chrome finish.

Jetting & Therapy Options

- Dual Jetting (Air + Hydro) + LED Light
- Dual Jetting (Air + Hydro) + Microbubble + LED Chromatherapy
- Hydro + Hydro Independent Foot Massage
- Hydro Massage (No LED)
- Hydro Massage + Microbubble + LED Light
- Microbubble Therapy (No LED Light Included)
- Soaking Option Only



Jetting Options

Hydro Massage

- Hydro Massage Pump 5AMP 600W
- Hydro Massage Intensity Dial Control
- In-line Water Heater 5.5AMP 650W
- Ozone Sterilization
- 14 jets
- On/Off Push Control

Hydro + Hydro Foot Massage

- Hydro + Hydro Massage Pumps (2) 5AMP 600W
- 2 Hydro Massage Intensity Dial Controls
- Ozone Sterilization
- 16 jets
- On/Off push control
- In-Line Water Heater 5.5AMP 650W

Air Massage

- Air Massage Pump 4.5AMP 486W
- 3 Speed Pump
- Auto-purge (Activates 20 minutes after pump shutdown)
- 16 jets
- On/Off push control

Microbubble Therapy

- Air Pressure Pump 10AMP 1200W
- Pressure Tank
- On/Off push control

Optional Features

- Heated Seat and Backrest 4AMP 470W
- Digital Controller

Warranty

- Lifetime limited* warranty on shell, frame, door, and parts to original purchaser/Address
- Labor or installation is not covered - please refer to the Ella warranty certificate
- Thermostatic control valve faucet is covered for 1 year due to water quality
- Non Ella brand faucets covered under manufacturers original warranty

Note: LED light .04AMP with On/Off push control comes included with the following packages: Dual (hydro + air), Hydro + Micro.

Faucet Options

1. Five-Piece Fast Fill Faucet

- Up to 18 GPM @ 60 PSI an ideal in-home plumbing conditions
- Two 5' water supply lines with 3/4" connectors
- Pull out, hand held, chrome plated hand shower with a 5' ft. retractable stainless steel braided hose

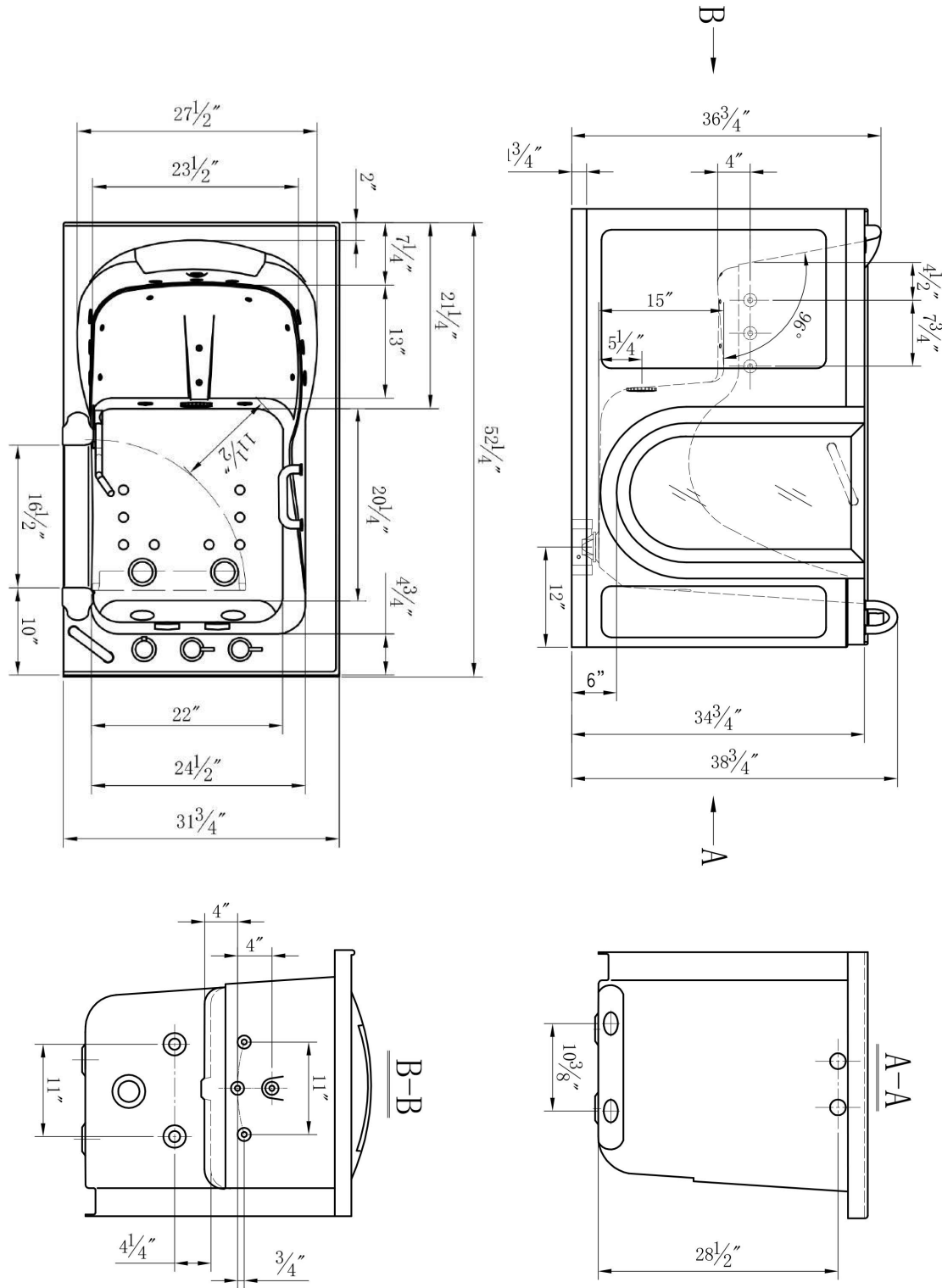
2. Two-Piece Fast Fill Faucet

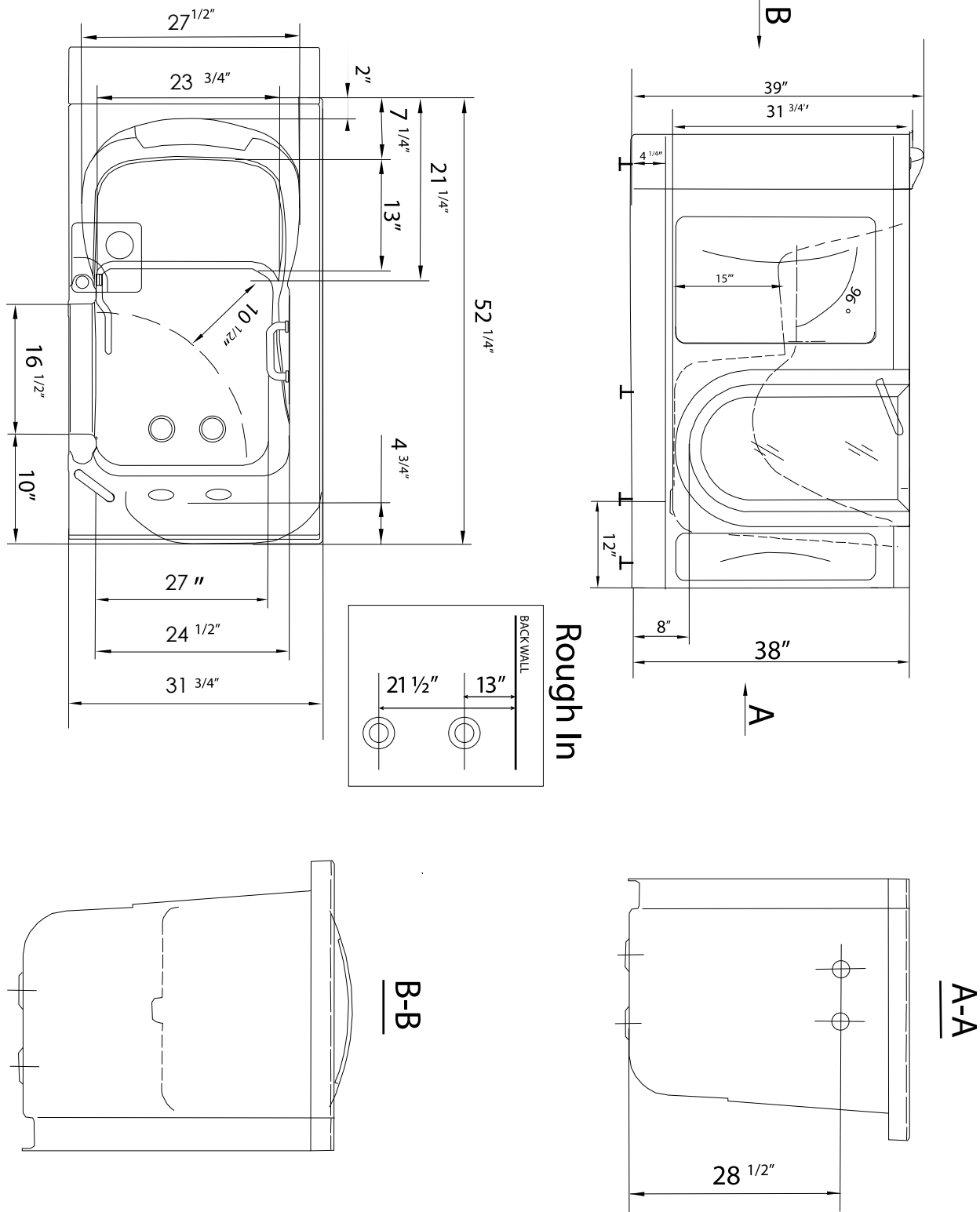
- Up to 16 GPM @ 60 PSI an ideal in-home plumbing conditions
- Two 5' water supply lines with 3/4" connectors
- Pull out, hand held, chrome plated hand shower with a 5' ft. retractable stainless steel braided hose

Electrical Requirements

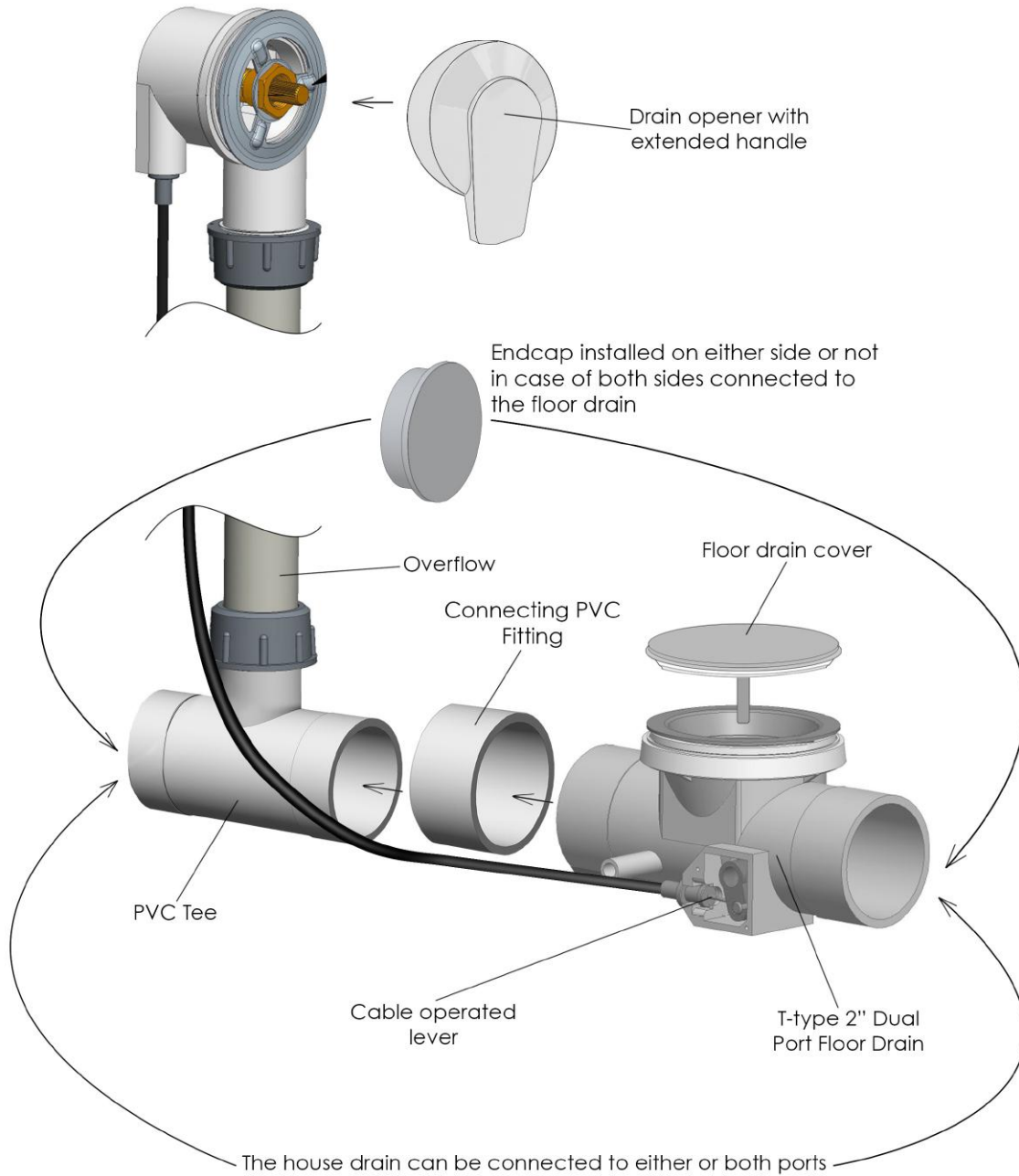
Dedicated GFCI protected electrical line(s) required

Royal - Inward Swing Door Walk In Bathtub Drawing
with 2" T Type Dual Port Drain





Dual Drain - two (2) independent floor drains



Ella 5 Piece 3/4" Fast Fill Faucet with Pull Out Hand Mixer

DESCRIPTION

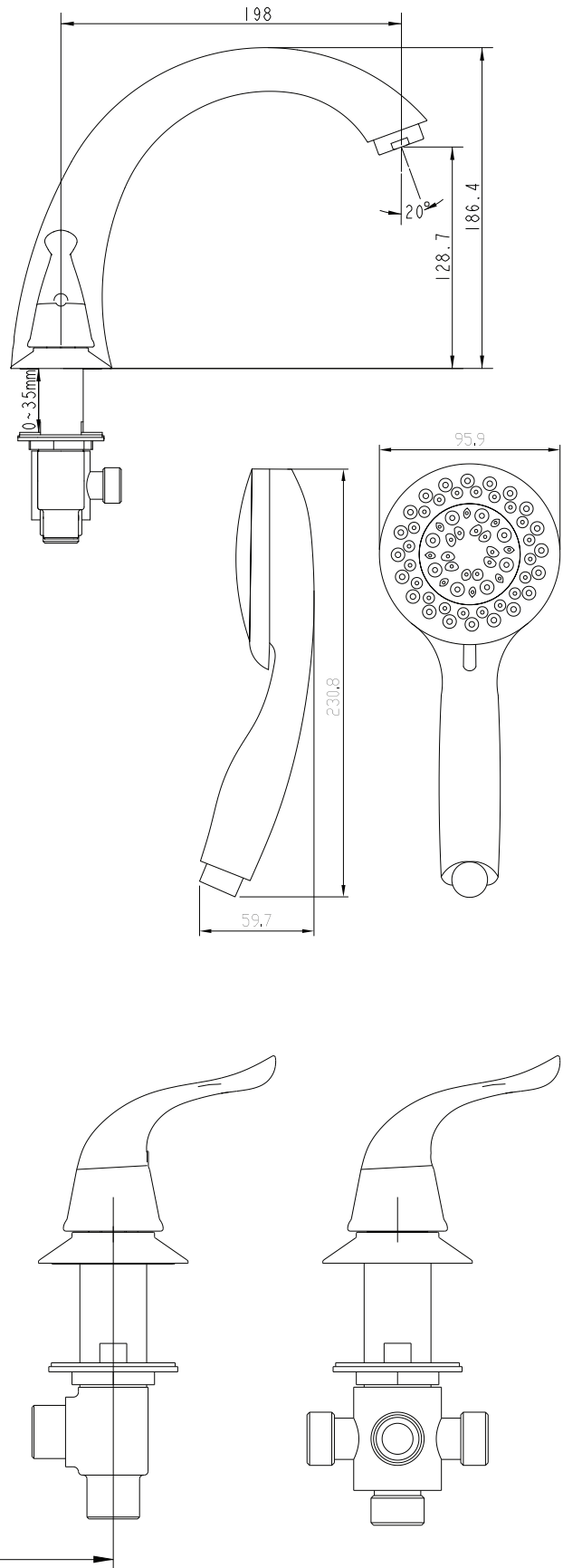
- Solid brass spout in chrome finish bathtub faucet and pull out hand shower mixer with 3 settings and 5' braided hose in chrome finish
- Two (2) 3/4" 5' braided stainless-steel supply lines
- Cold/Hot levers with diverter for hand mixer

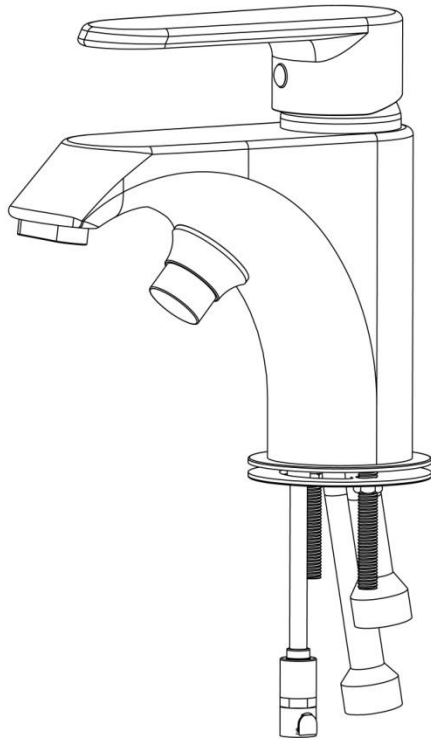
Flow

- Hand shower is limited to 1.9 gpm (7.5L/min)
- Faucet fill rate designed for 18gpm (68.1L/min)

Cartridge

- 40mm high flow cartridge design
- Nonmetallic/nonferrous and stainless-steel material





Material: Brass in Chrome Finish

G.W: 7.75 kg / 17 lbs.

NOTE: THIS FAUCET IS DESIGNED TO BE INSTALLED THRU:

- 2-1/2" DIA. HOLE FOR FAUCET
- 1/3" DIA. HOLE FOR MOUNTING RODS
- 7/8" DIA. HOLE FOR HAND SHOWER

OPERATION

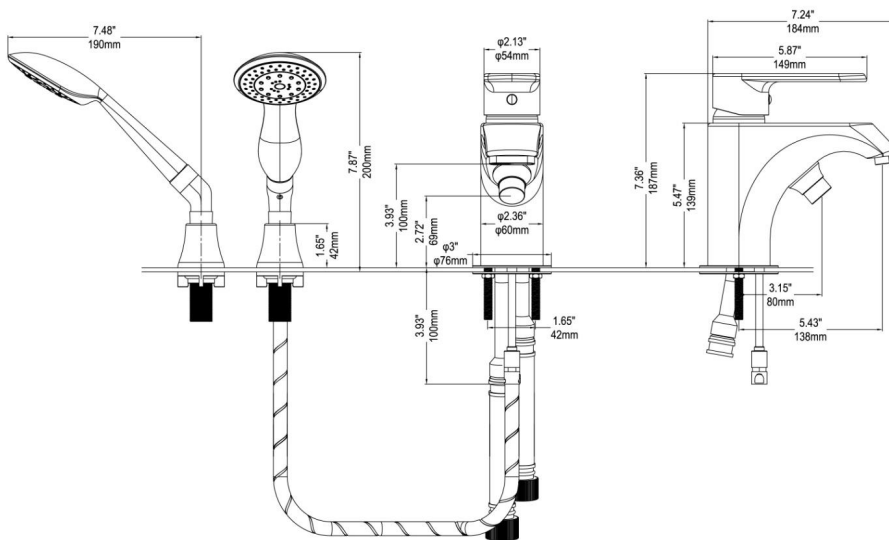
- Pivot action lever style handle
- Temperature controlled through 180° degree arc of handle travel

DESCRIPTION

- Metal construction single lever high flow bath valve
- 3/4" IPS connections
- Includes hand shower with diverter button

FLOW

- Hand shower is limited to 1.9 gpm(7.5L/min)
- Faucet fill rate designed for 18gpm (68.1L/min) flow.



CARTRIDGE

- 40mm high flow cartridge design
- Nonmetallic/nonferrous and stainless steel material

STANDARDS

- Third party certified to meet: CSA B-125.1, ASME A112.18.1, ICC 117.1 and all applicable requirements referenced therein
- Certified to ANSI/NSF 61/9
- ADA for lever handle
- IAPMO R&T UPC certified

Two 3/4" connector water supply lines included with Ella Fast Fill Faucets.



Connect to Shut
Off Valves
(not included)



All electrical
fixtures connect
to a dedicated
GFCI protected
outlet.



T-Type four (4) 2" drain ports
allow for the drain pipe to be
installed in either direction.

Use drain cap to
close unused
drain port.

