

Actual Size: 27.5" x 52.25" x 38" • (69.85 cm x 132.715 cm x 96.52 cm)

Seat Width: 19.75" • (50.165 cm)

Shipping Size: 31" x 57" x 47" • (78.74 cm x 144.78 cm x 119.38 cm)

Shipping Weight: 305 lbs. • (138.35 kg)

Net Weight: 200 lbs. • (90.72 kg)

Occupied Water Capacity: 30-50 gal. • (113-189 L)

Drainage Time: +/- 80 seconds at ideal plumbing conditions (unoccupied)

Included Features:

1. Acrylic Tub Shell
 - Gloss white finish
 - Fiberglass gelcoat reinforced
2. Stainless steel frame with adjustable leveling Legs.
3. Inward swinging removable brushed stainless steel door with a frosted tempered glass.
4. Removable front apron with two access panels.
5. One removable and reversible end panel.
6. Stainless steel chrome finish U-shape deck mounted grab bars.
7. Removable swivel tray in a white matte finish.
8. Two (2) 2 inch PVC drains with 2 end caps included. Each drain has two (2) 2 inch outlets, one overflow and a stainless steel operated opener with extended handle in chrome finish.

Jetting & Therapy Options:

1. Air + Hydro (Multicolor LED Light Included)
2. Hydro + Hydro Independent Foot Massage (Multicolor LED Light Included)
3. Hydro Massage (Multicolor LED Light Not Included)
4. Hydro Massage + Microbubble (Multicolor LED Light Included)
5. Soaking Option Only (Multicolor LED Light Not Included)



Jetting Options

Hydro Massage

- Hydro Massage Pump 5AMP 600W *
- Hydro Massage Intensity Dial Control In-line Water Heater 5.5AMP 650W *
- Ozone Sterilization
- 14 jets
- On/Off Push Control

Hydro + Hydro Foot Massage

- Hydro + Hydro Massage Pumps (2) 5A5MAPM 6P0 600W0W *
- 2 Hydro Massage Intensity Dial Controls
- Ozone Sterilization
- 16 jets
- On/Off push control
- In-Line Water Heater 5.5AMP 650W *

Air Massage

- Air Massage Pump 4.5AMP 486W *
- 3 Speed Pump
- Auto-purge (Activates 20 minutes after pump shutdown)
- 10 jets
- On/Off push control

Microbubble Therapy

- Air Pressure Pump 10AMP 1200W *
- Pressure Tank
- On/Off push control

Faucet Options

1. Five-Piece Fast Fill Faucet

- Up 10 18 GPM @ 60 PSI an ideal in-home plumbing conditions
- Two 5' water supply lines with 3/4" connectors
- Pull out, hand held, chrome plated hand shower with a 5' ft. retractable stainless steel braided hose

2. Two-Piece Fast Fill Faucet

- Up 10 16 GPM @ 60 PSI an ideal in-home plumbing conditions
- Two 5' water supply lines with 3/4" connectors
- Pull out, hand held, chrome plated hand shower with a 5' ft. retractable stainless steel braided hose

Optional Features

1. Heated Seat and Backrest 4AMP 470W
2. Digital Controller

Note: Multicolor LED light .04AMP* with On/Off push control is included with the following dual packages: Hydro + Air, Hydro + Micro, Hydro + Hydro

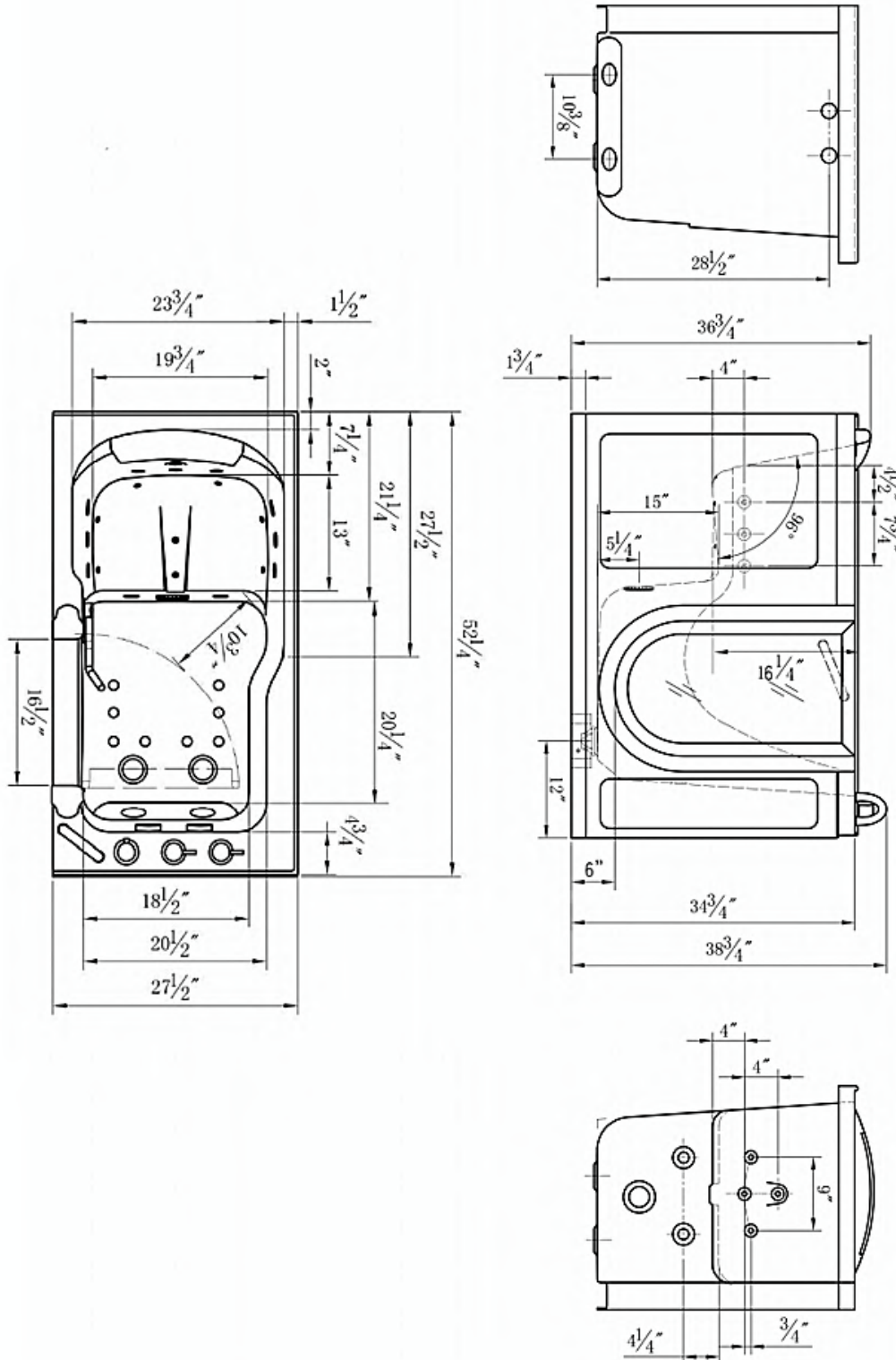
Disclaimer*: AMP value for each pump may change based on availability. Please verify before purchase. (800.480.6850)

Electrical Requirements

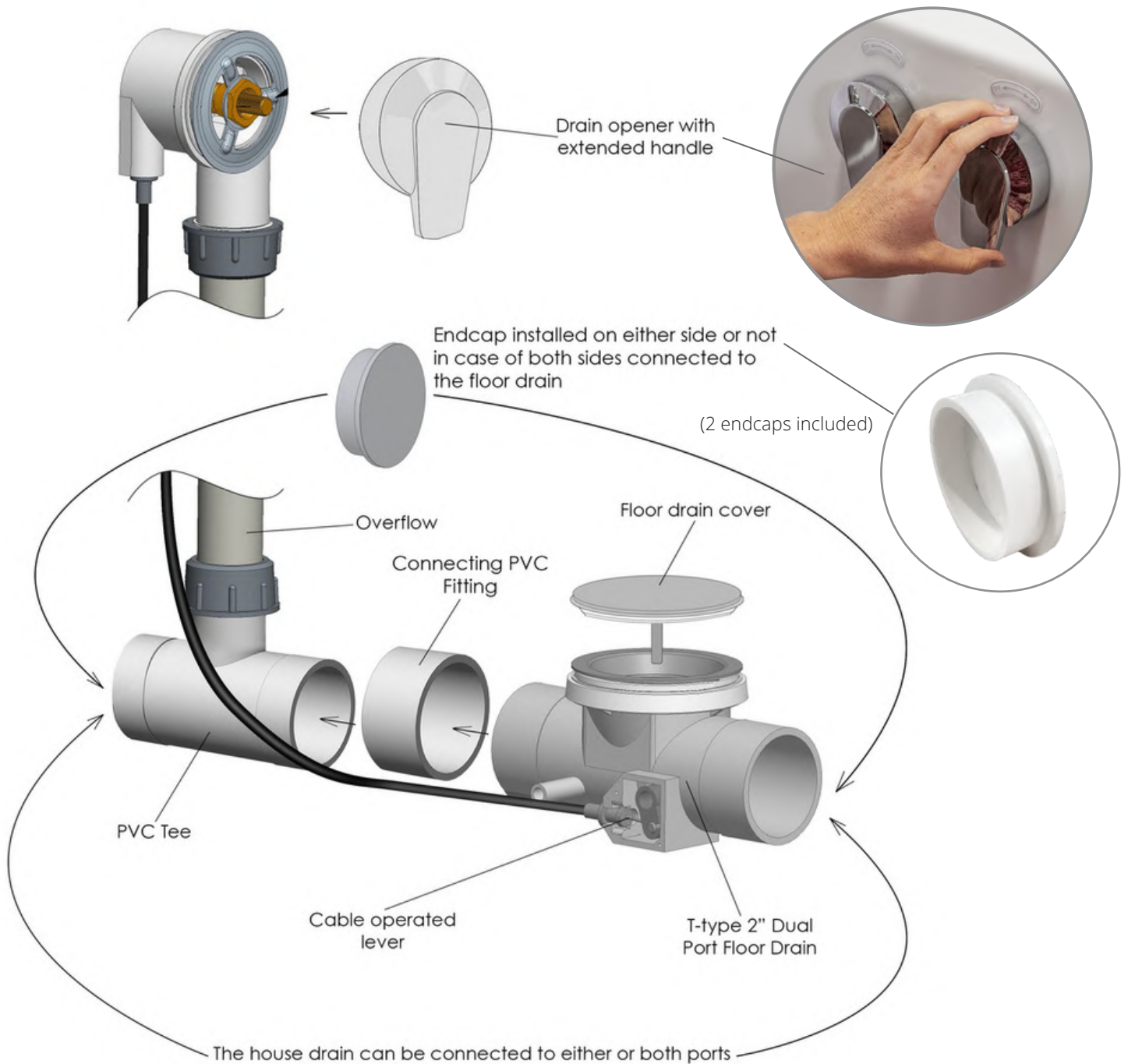
Dedicated GFCI protected electrical line(s) required

Warranty

- Lifetime limited* warranty on shell, frame, door, and parts to original purchaser/Address
- Labor or installation is not covered - please refer to the Ella warranty certificate
- Thermostatic control valve faucet is covered for 1 year due to water quality
- Non Ella brand faucets covered under manufacturers original warranty



Dual Drain Technology - Two 2 Inch Independent Floor Drains



Two 3/4" connector water supply lines included with Ella Fast Fill Faucets



Connect to Shut Off Valves (not included)



All electrical fixtures connect to a dedicated GFCI protected outlet.



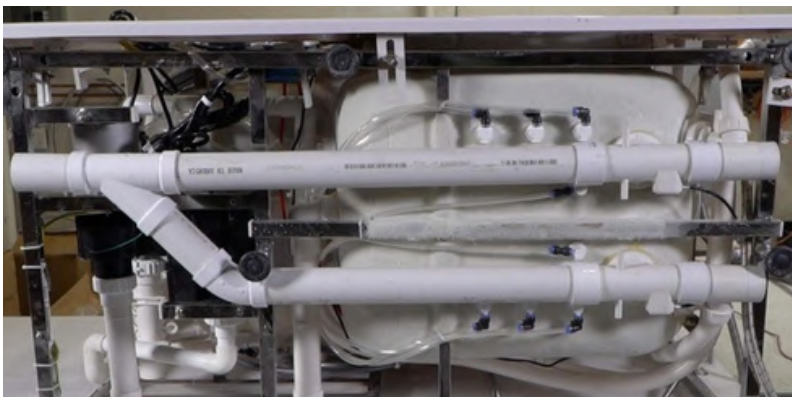
Drain Cap

Use a drain cap to close unused drain port.



T-Type four (4) 2" drain ports allow for the drain pipe to be installed in either direction.

Images below show examples of PVC pipe connections (not included). Reducers can be used to connect smaller drain pipes.



Description

Solid brass spout in a chrome finish with a 5-setting pull out hand shower mixer including a 5' braided hose.

Two 3/4" 5' braided stainless-steel supply lines are included along with Cold/Hot levers with a diverter for the hand mixer.

Flow

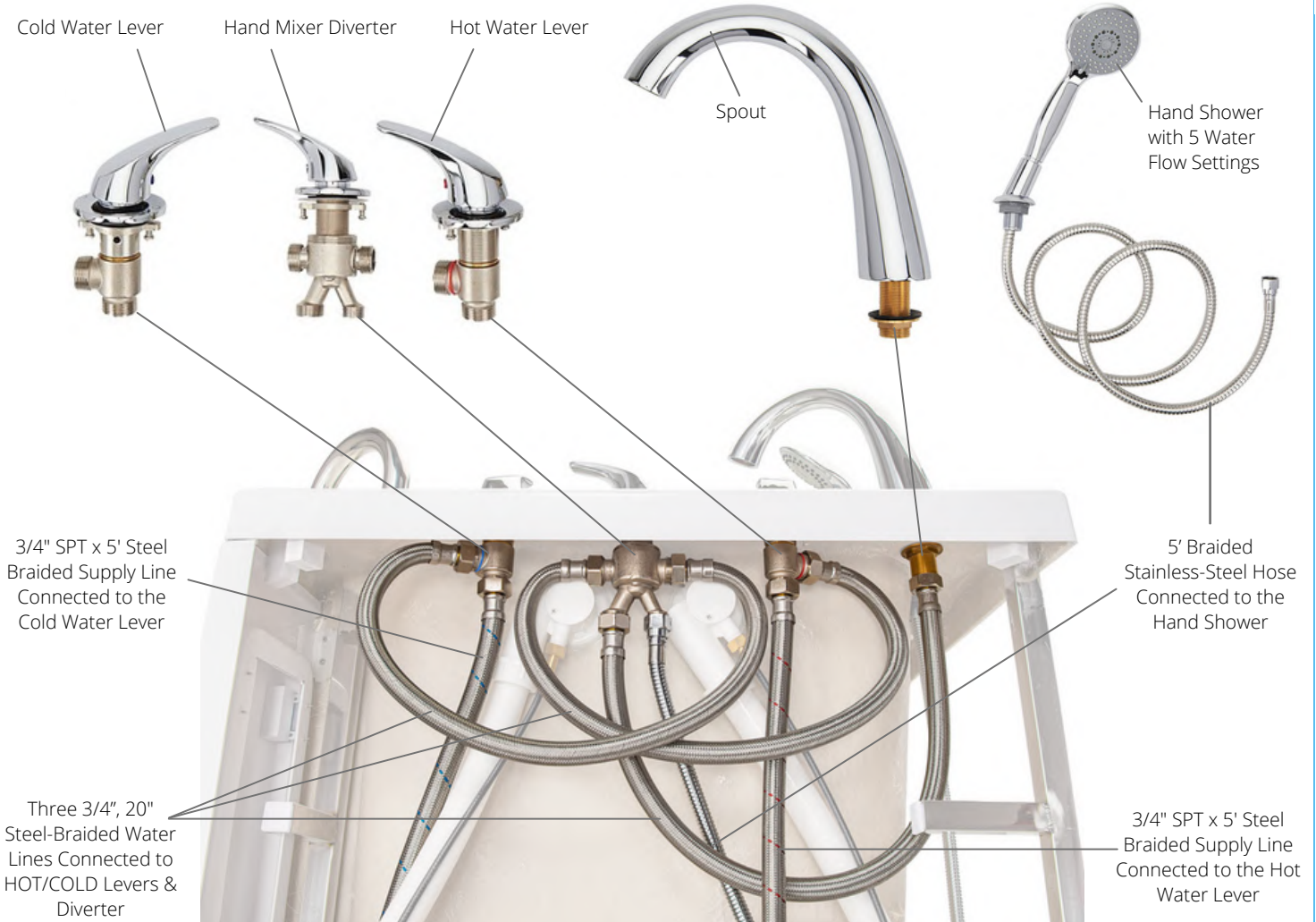
- Hand shower is limited to 1.9 GPM (7.5L/min)
- Faucet fill rate designed for 18 GPM (68.1L/min)

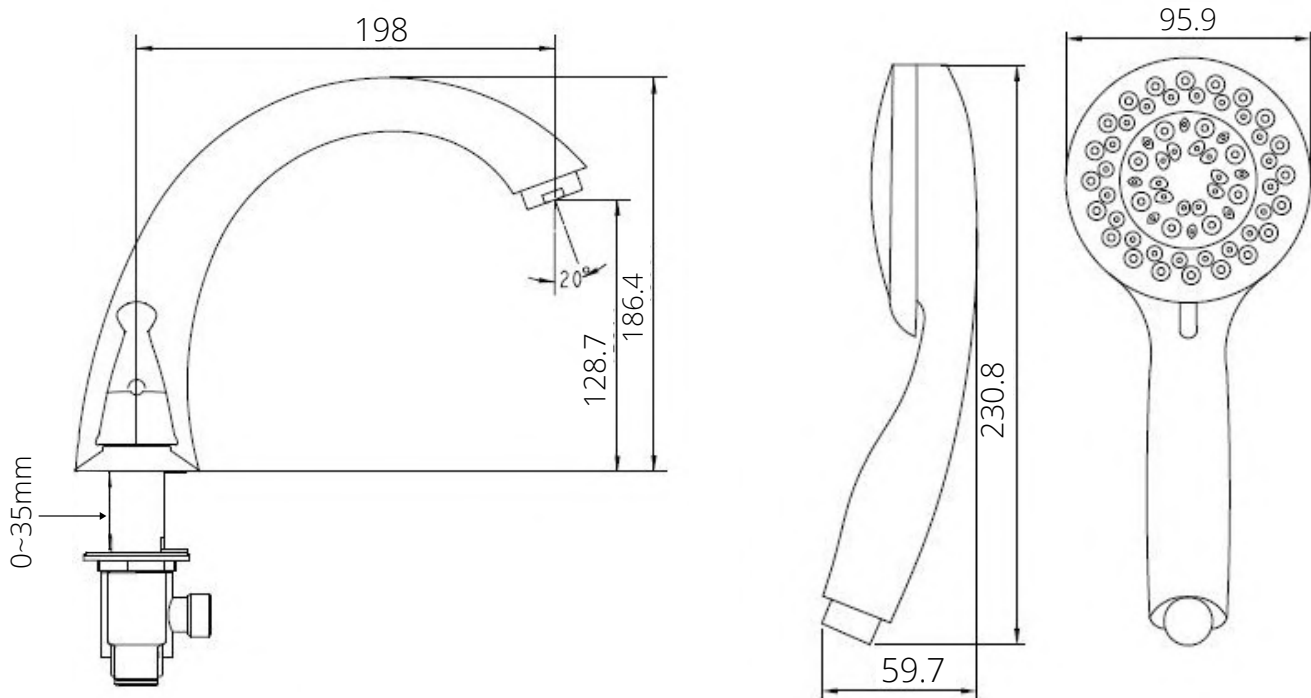
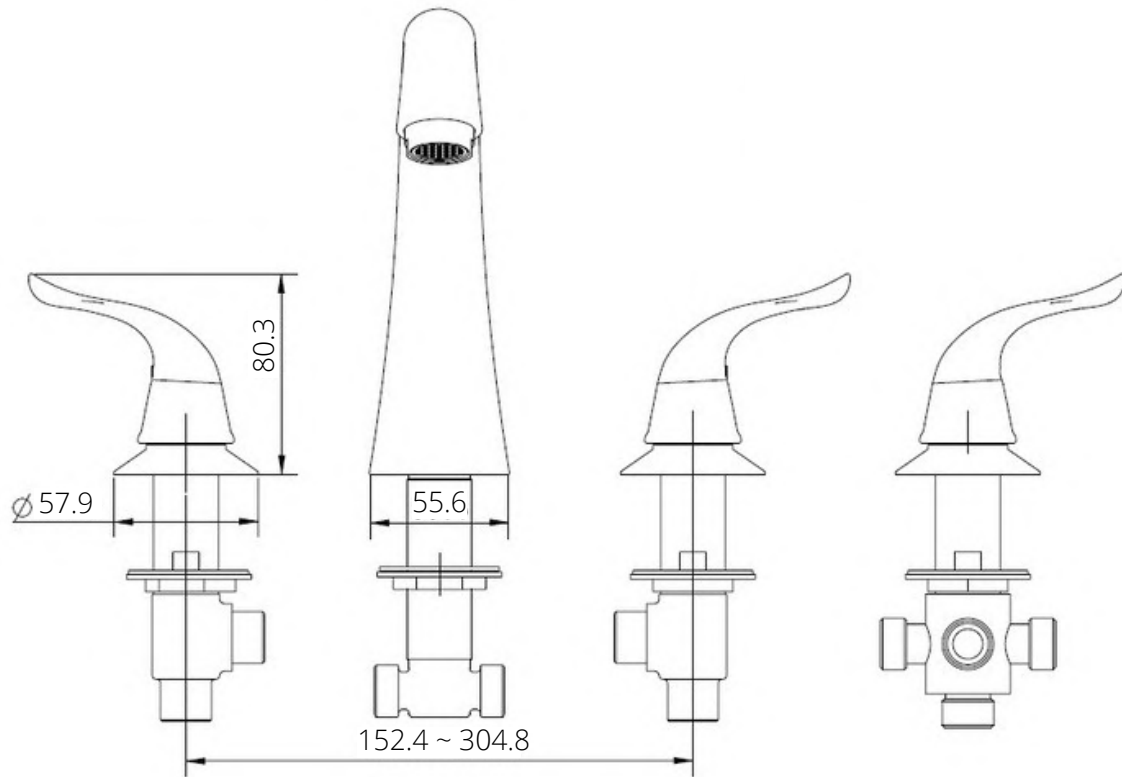
Cartridge

- 40mm high flow cartridge design
- Nonmetallic/nonferrous and stainless-steel material

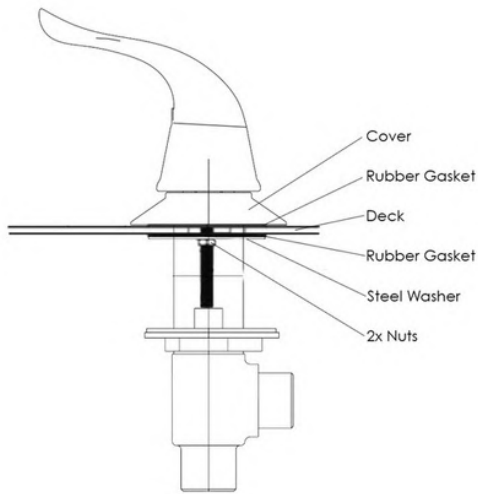


Ella 5 Piece Fast-Fill Faucet Contents

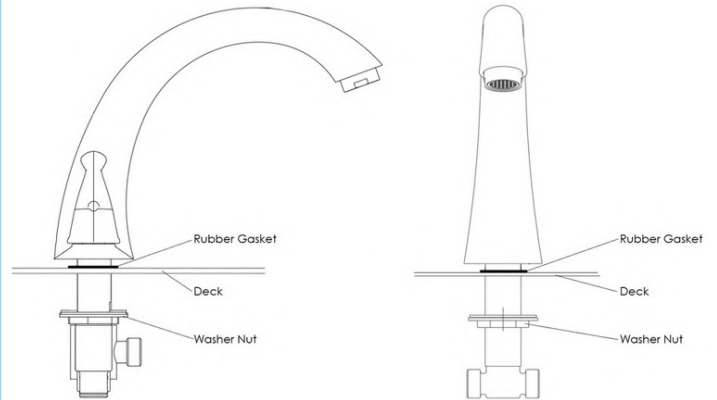




Step-by-step Instructions to install an Ella 5-piece faucet.



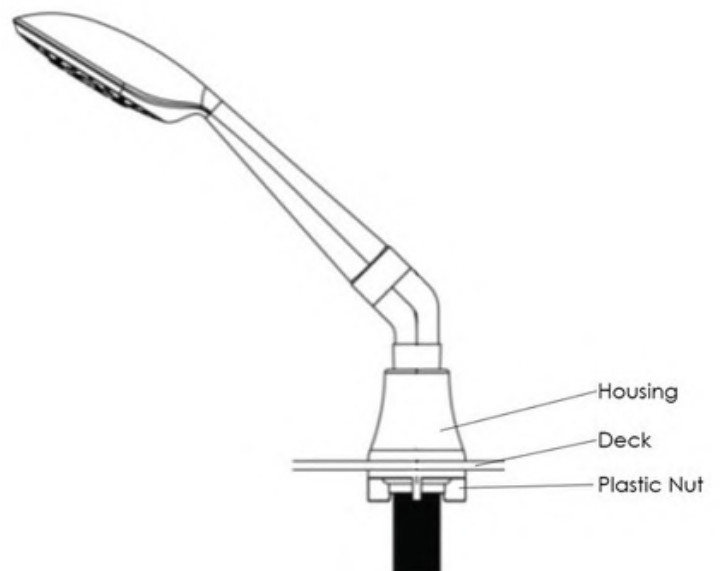
1. Unscrew the 2 nuts securing the steel washer and rubber gasket. In this order, remove the steel washer and rubber gasket, place your lever on the deck, replace the rubber gasket and the steel washer. Firmly secure the 2 nuts to hold the fixture in place.



2. Unscrew the washer nut and place the rubber gasket and spout above the deck. After, secure the washer nut from underneath the deck.

3. Remove the plastic nut and insert your hand mixer and hose into your deck opening. Re-secure the plastic nut underneath the deck to hold the hand mixer and housing firmly in place.

4. Connect the supply lines provided with your Ella 2-Piece Fast Fill Faucet to their respective hot and cold connections.



Ella 2 Piece Single Lever Fast-Fill Faucet

Description

Solid brass spout chrome finish single lever high flow bathtub faucet with diverter button Two (2) 3/4" 5' braided stainless-steel supply lines Pull out hand shower mixer with 5 settings and 5' braided hose in a Chrome or Brushed Nickel finish.

Flow

- Hand shower is limited to 1.9 GPM (7.5L/min)
- Faucet fill rate designed for 18 GPM (68.1L/min)

Cartridge

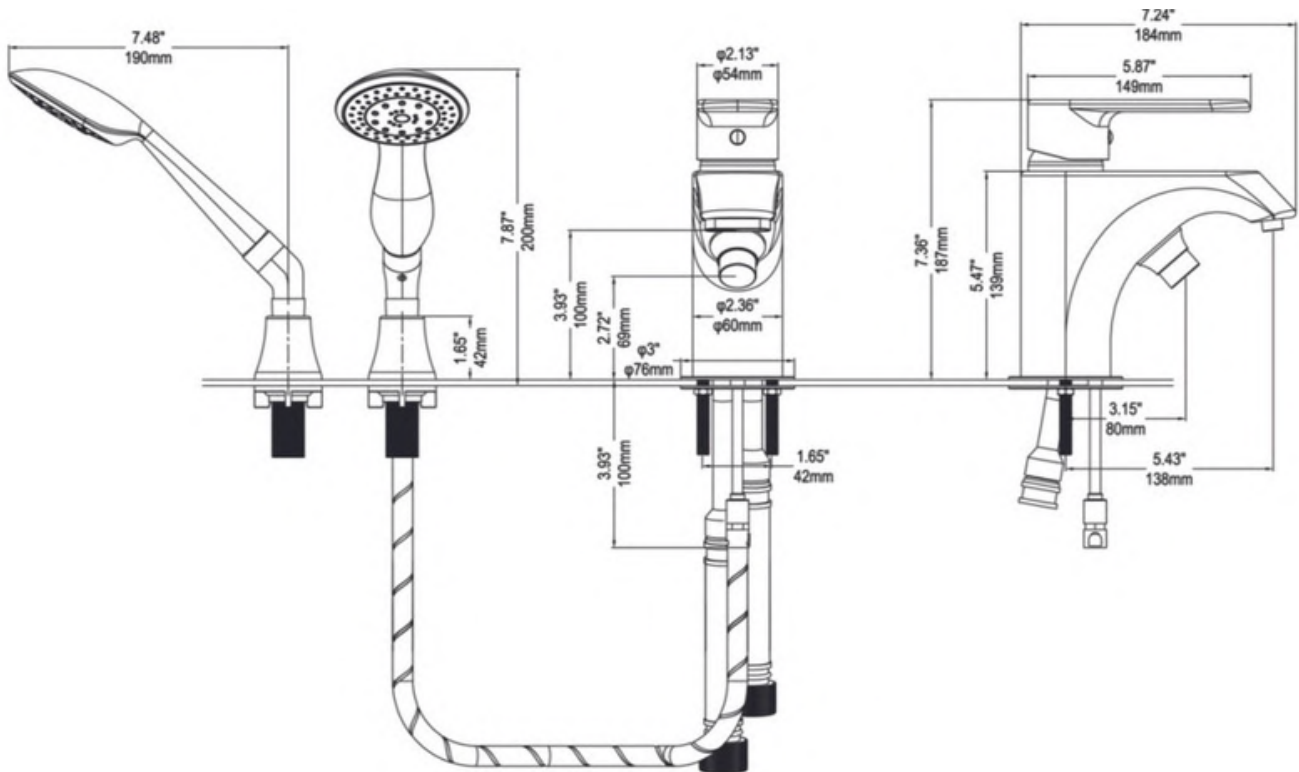
- 40mm high flow cartridge design
- Nonmetallic/nonferrous and stainless-steel material

Standards

- Certified to meet:
- CSA B-125.1, ASME A112.18.1, ICC 117.1
- ON/OFF Push Diverter
- Certified to ANSI/NSF 61/9 for the Hand Shower
 - ADA for lever handle
 - IAPMO R&T UPC certified



NOTE: This faucet is designed to be installed through: G.W: 7.75 kg/ 17 lbs., 2-1/2" diameter hole for faucet, 1/3" diameter hole for mounting rods, 7/8" diagonal hole for hand shower



Replacing A Valve Cartridge

Step-by-step Instructions to replace a valve cartridge for Ella 2-piece faucets.

Step.1 Remove the Hot/Cold screw hole cover.



Step.2 Use an Allen wrench to remove the handle Screw.



Step.3 Take out the handle and remove the brass escutcheon



Step.4 Use a wrench to unscrew the pressure cap.



Step.5 Remove the cartridge and replace it with new piece.

