

LIDO Sliding Shower Door Installation Instructions

Size:60"x76"



ella
by ella's bubbles

- Please read these instructions in full before installation




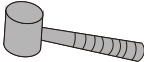



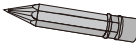



IMPORTANT

- Check that the shower base has been installed to the manufacturer's instructions. Please note - All product is supplied without a tray.
- Opening wall adjustments=(58.03"-60")x76"

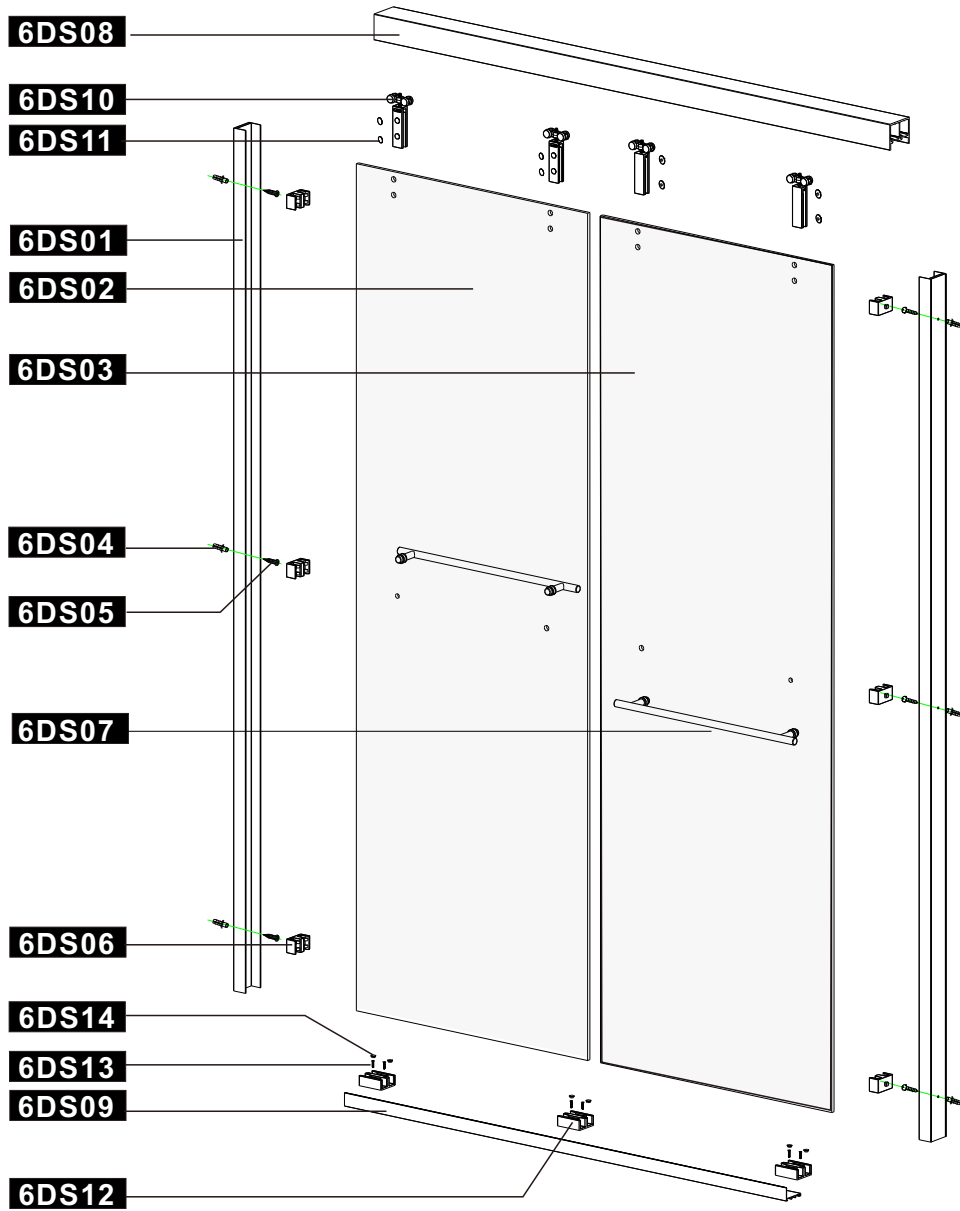
GENERAL SAFETY INSTRUCTIONS

- Do not fix the wall profile to newly plastered, painted or papered walls as chemical reaction may cause discoloration to the surface finish.
- Important: The wall plugs included in this pack are for solid walls only. If the product is to be mounted on a partition or stud wall, specialized fixings should be purchased separately.
- Fixing tips; A piece of insulating tape or a couple of layers of masking tape applied to the wall before marking out the fixing holes will help stop the drill from wandering, particularly on tiled surfaces.
- When working near a basin or bath, insert a plug into the drain. This will help you avoid losing small parts. Also take care not to drop accessories or tools onto the bath or basin. Use a towel or bathmat to protect delicate surfaces.
- CAUTION!
Before drilling into any walls check that there are no hidden cables or pipes. Exercise great care when using power tools near water. The use of a residual current device (RCD) or cordless drill is recommended. Always double check the positioning and measurements before drilling holes.
- This product is heavy and requires two people during lifting and operations.
- Glass is delicate, support on cardboard to minimize risk of damage.

Tools required (not supplied)

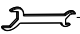
Electric drill		Tape measure	
Drill(Ø3.2mm)		Rubber hammer	
Drill(Ø6mm)		Knife	
Cross head screw driver		Pencil	
Spirit level		Silicone sealant	
Saw			

IDENTIFICATION OF PARTS

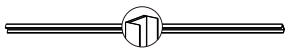

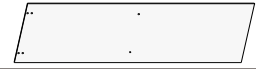







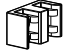




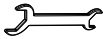



2mm  **6DS15**

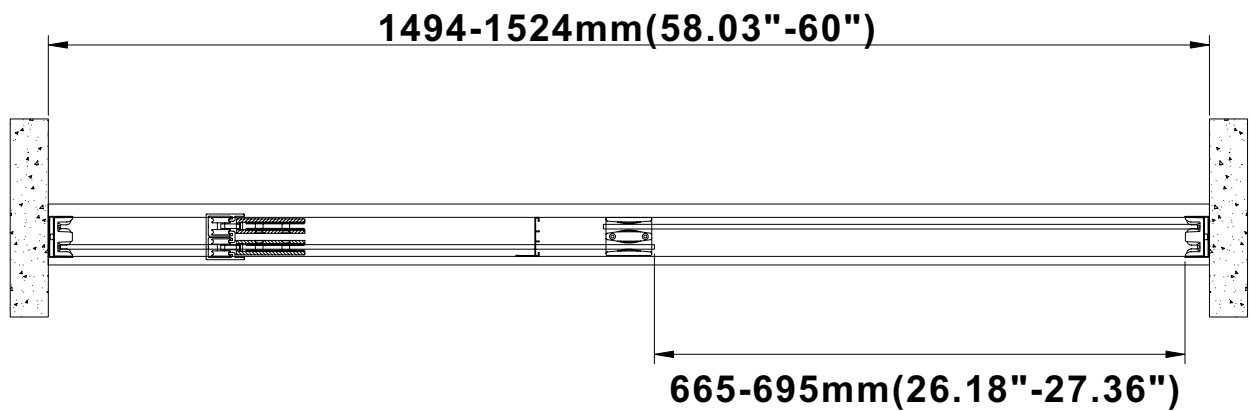
4mm  **6DS16**

 **6DS17**

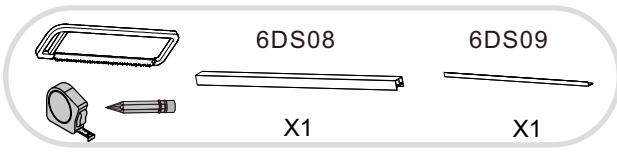
Fixings & fittings supplied

Item No.:	Part	Quantity	Item No.:	Part	Quantity
6DS01		X2	6DS10		X4
6DS02		X1	6DS11		X8
6DS03		X1	6DS12		X3
6DS04		X6	6DS13		X6
6DS05		X6	6DS14		X6
6DS06		X6	6DS15		X1
6DS07		X2	6DS16		X1
6DS08		X1	6DS17		X1
6DS09		X1			

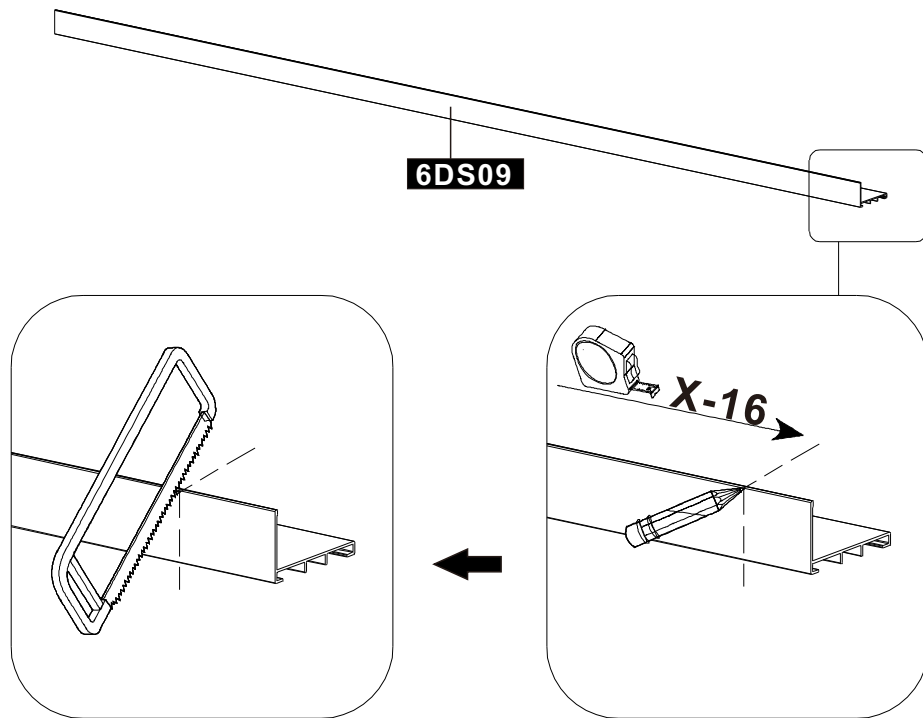
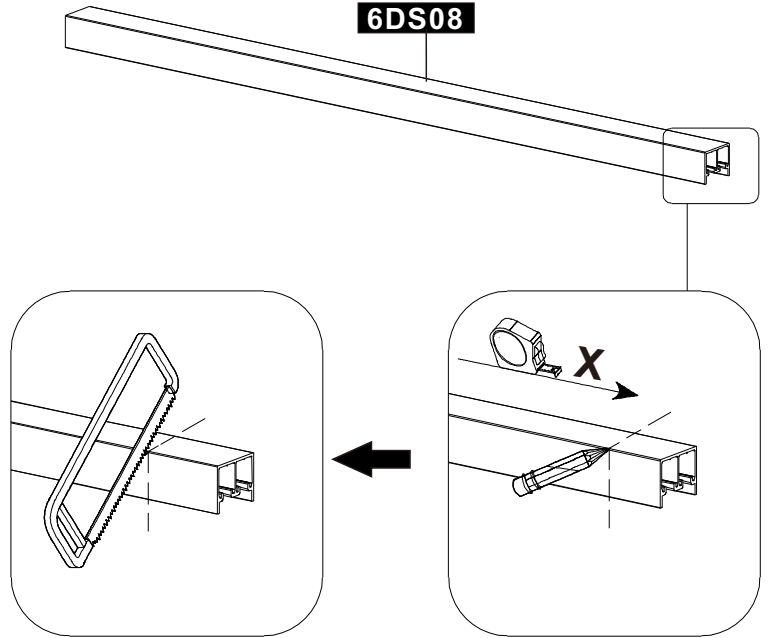
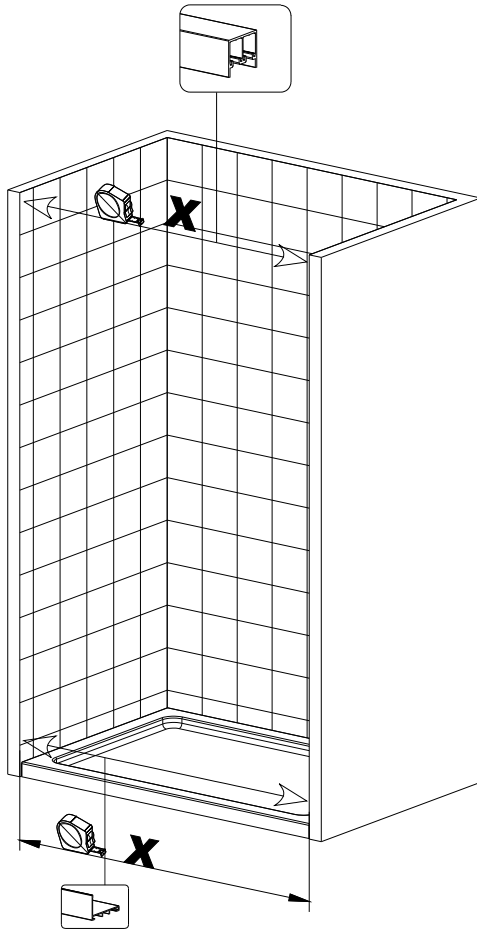
Technical drawing

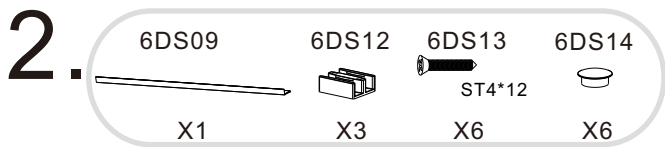


1.



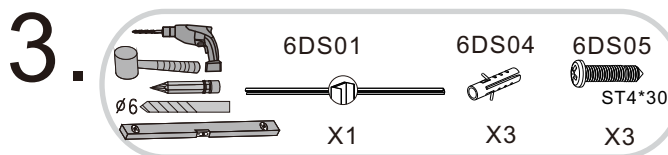
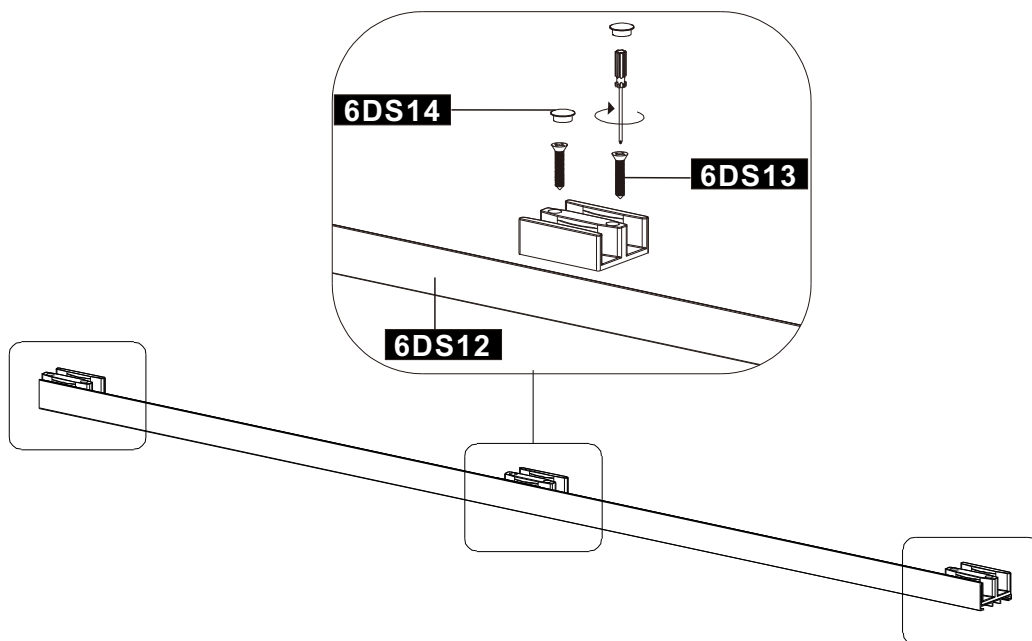
- Measure the distance X between the two walls.
- Cut the top rail 6DS08(1x) to make its length to be Xmm.
- Cut the bottom rail 6DS09(1x) to make its length X-16mm.





-Fix the sliding guides 6DS12(3x) on the bottom rail with screws 6DS13(6x).

-Cover the screws with caps 6DS14 (6x).



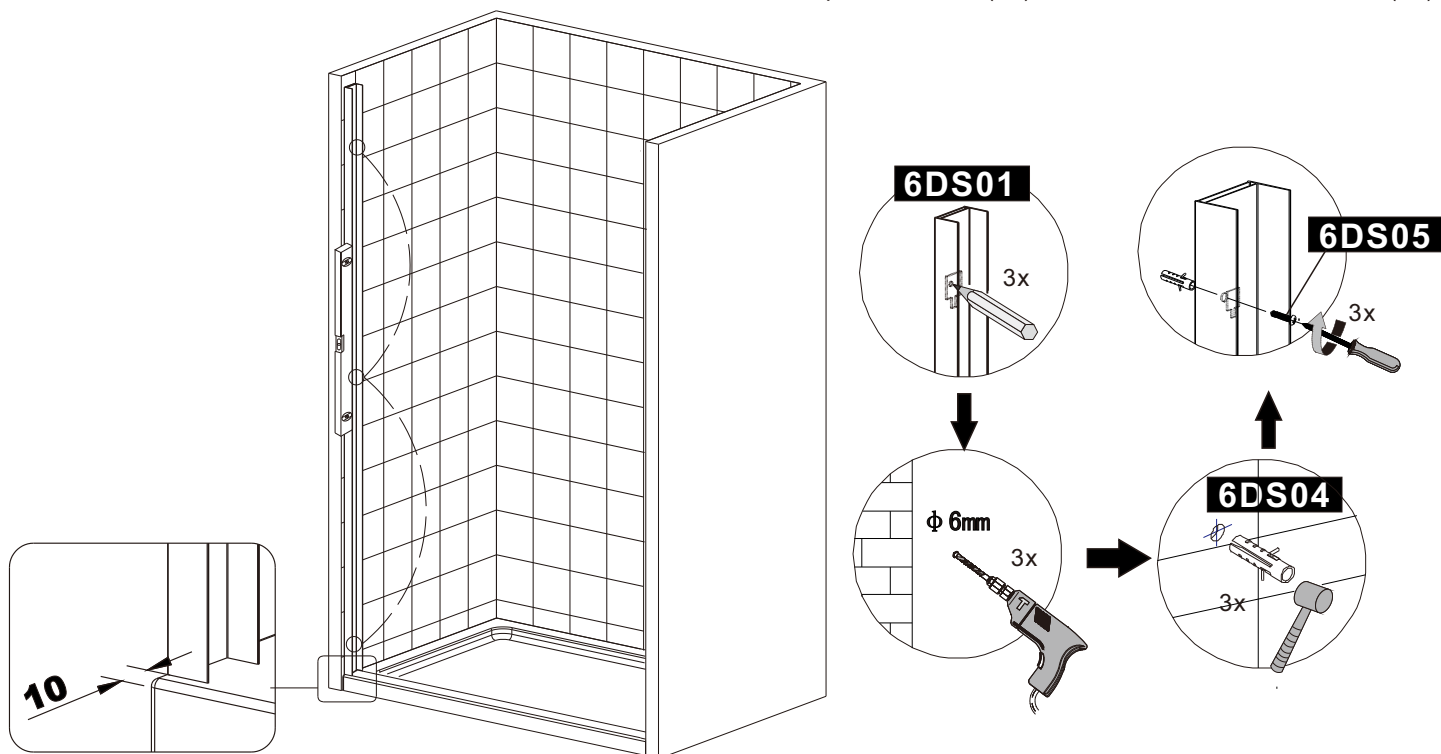
-Put the wall profile 6DS01(1x) against the wall and make sure it is 10mm away from the outside edge.

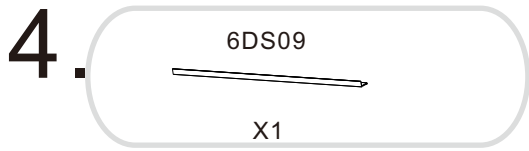
-Adjust the wall profile and make sure it is level using a spirit level.

-Mark the holes on the wall, and drill the holes($\phi 6$) according the marks.

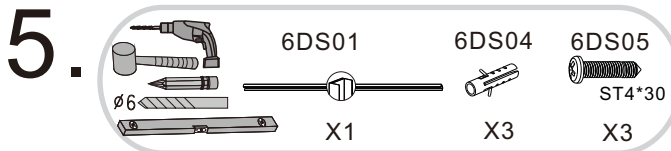
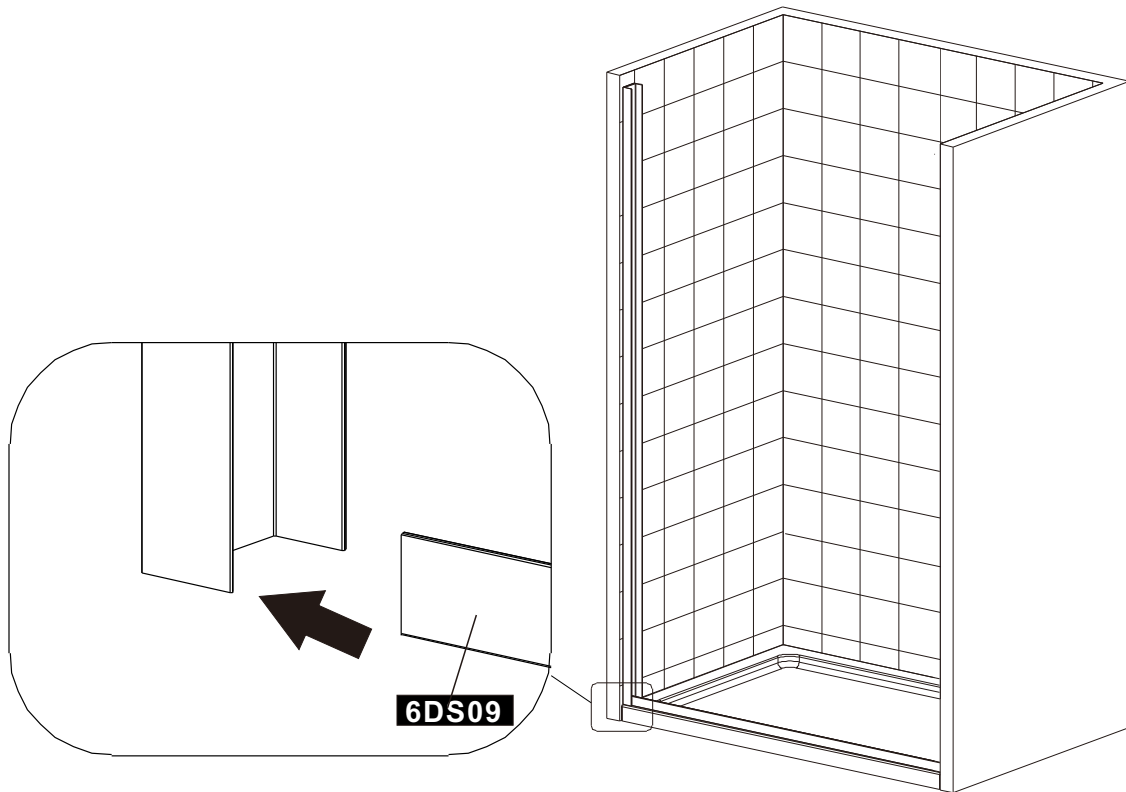
-Insert the wall plugs 6DS04(3x) into the holes.

-Fix the wall profile 6DS01(1x) on the wall with screws 6DS05(3x).

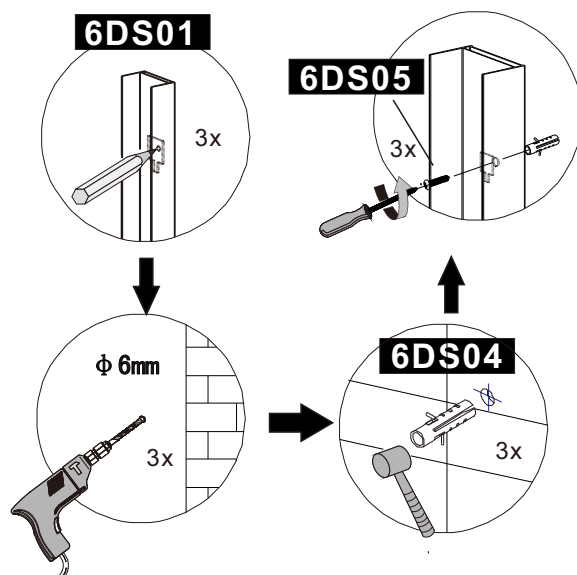
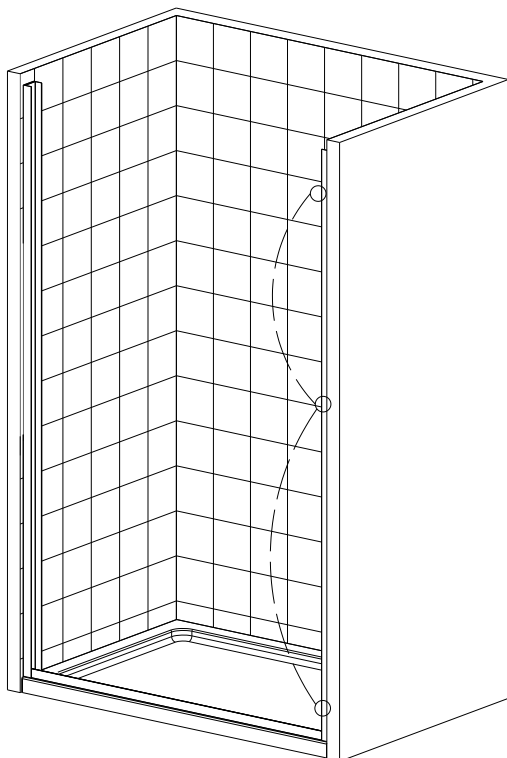




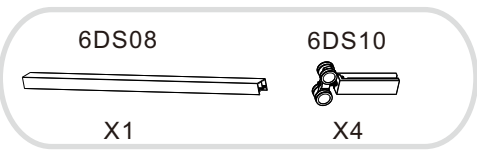
-At the bottom, insert the bottom rail 6DS09 into the wall profile.



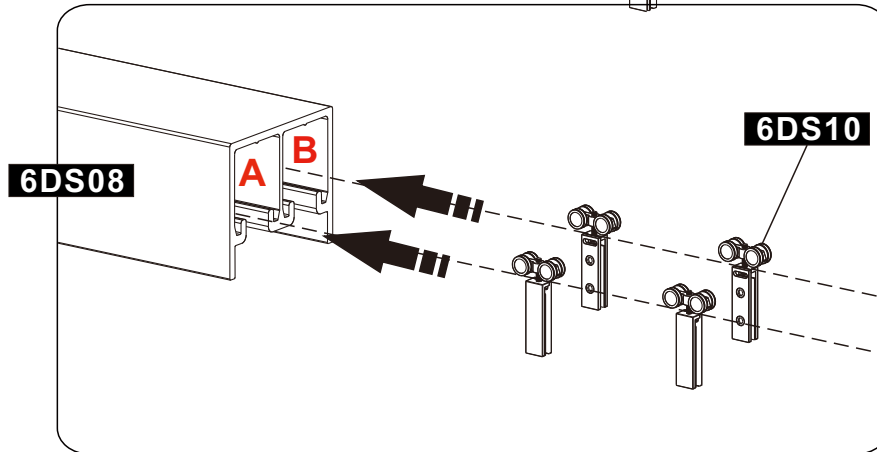
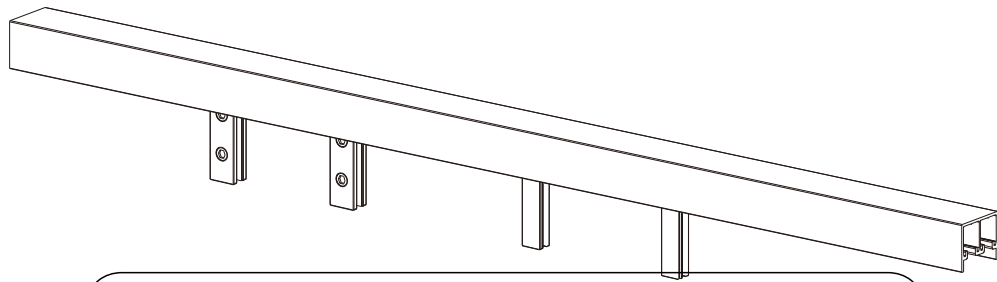
-Put another wall profile 6DS01(1x) against the wall and make sure it is level using a spirit level.
 -Mark the holes on the wall, and drill the holes($\phi 6$ mm) according the marks.
 -Insert the wall plugs 6DS04(3x) into the holes.
 -Fix the wall profile 6DS01(1x) on the wall with screws 6DS05(3x).



6.

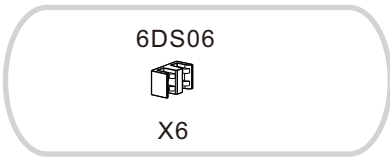


-Insert the rollers 6DS10(4x) onto the track of the top rail 6DS08.

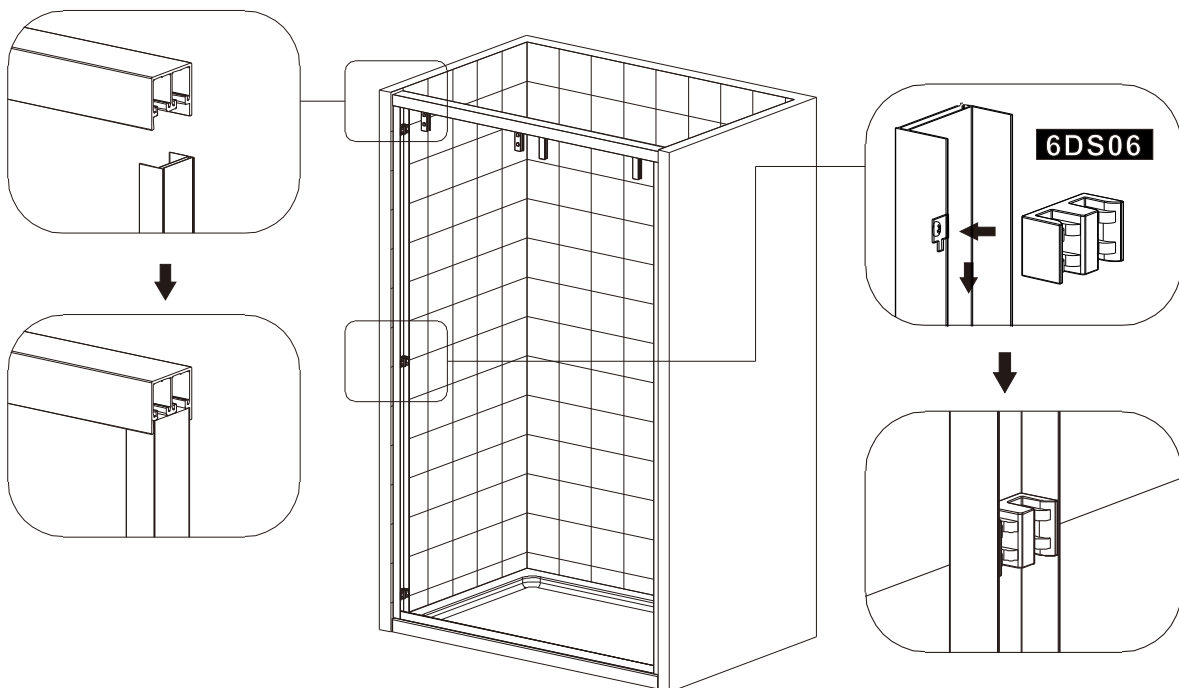


⚠ Caution: Please make sure the screw of rollers in track A are face to screw of rollers in track B.

7.



-Put the top rail on the top of the wall profiles.
-Insert the gaskets 6DS06(6x) into the holes of the wall profiles, and then make sure that they are locked on the wall profiles.

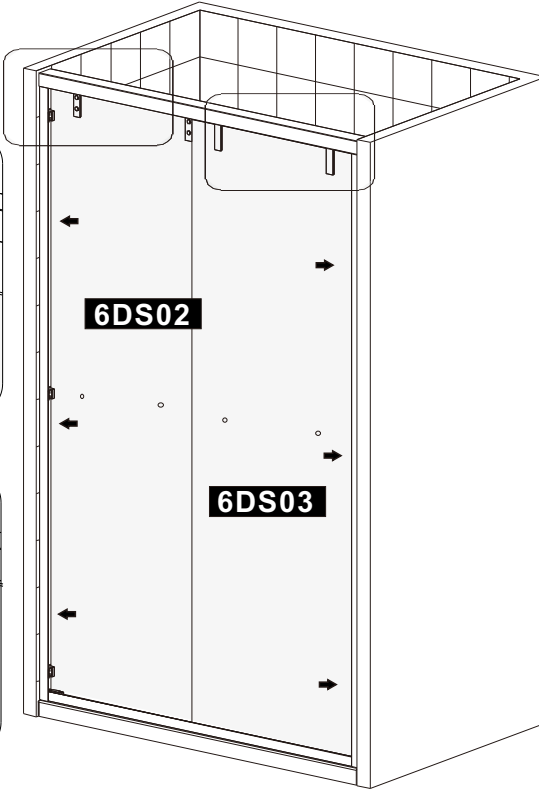
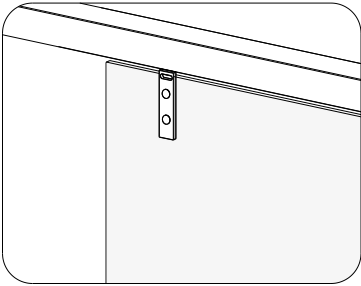
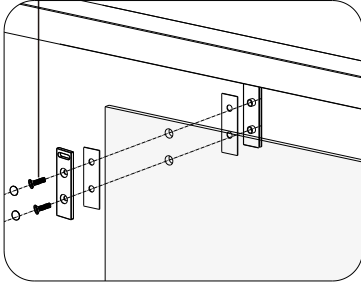


8.

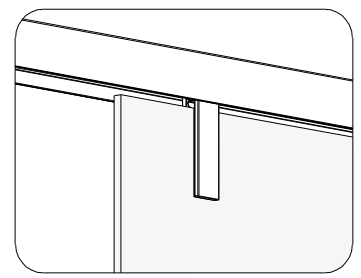
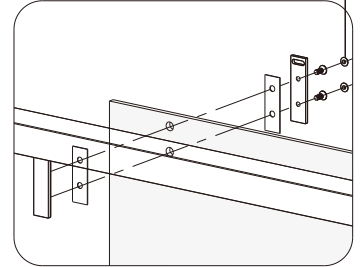


- Remove the inner screws from the rollers with hex key 6DS16.
- Insert the door panels 6DS02 and 6DS03 into the bottom sliding guides.
- Fasten the door panels and rollers together by inner screws.
- Cover the caps 6DS11(8x) in the back of rollers.

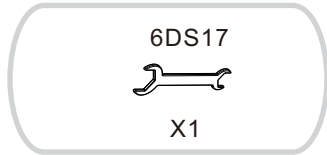
6DS11



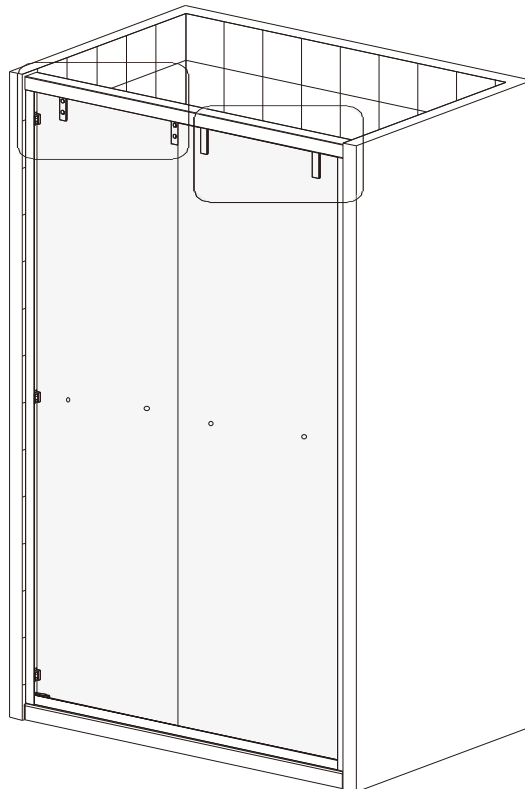
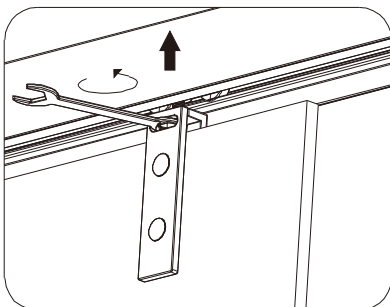
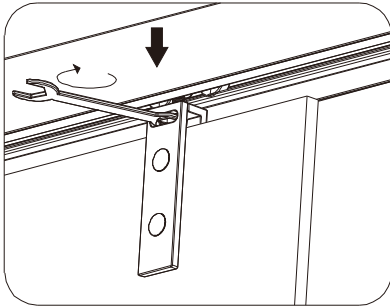
6DS11



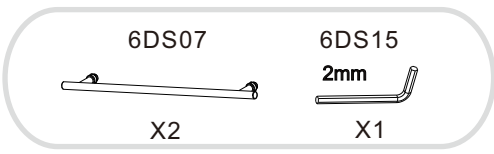
9.



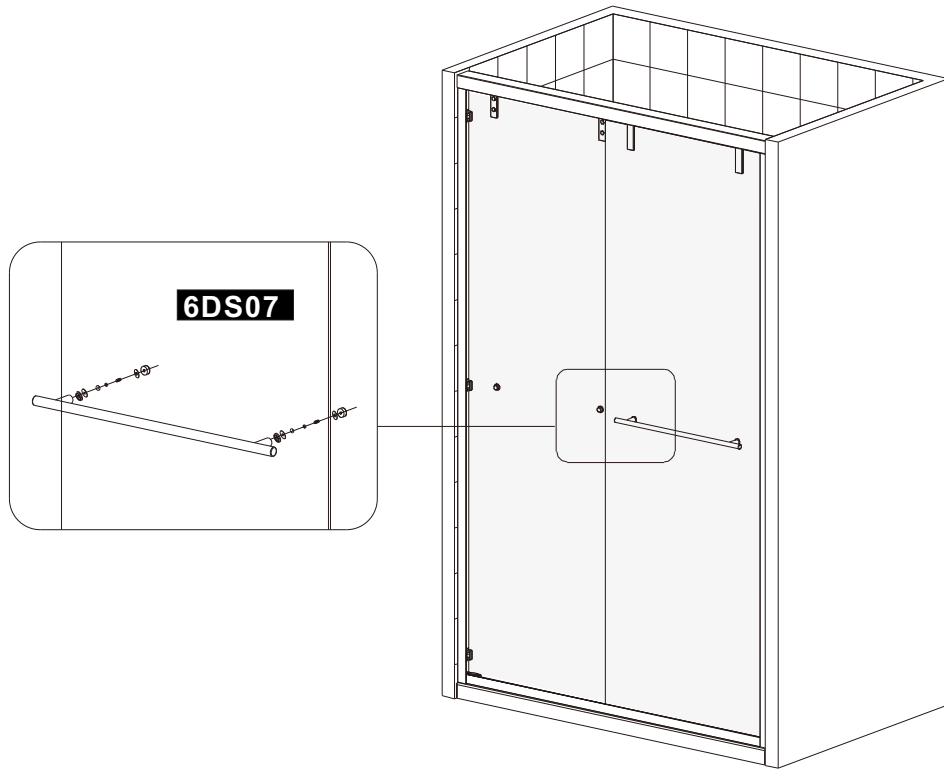
- Adjust the rollers by tool 6DS17 to make sure the door panels are vertical.



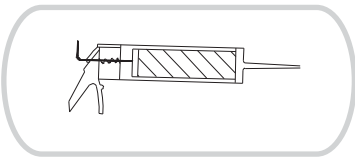
10.



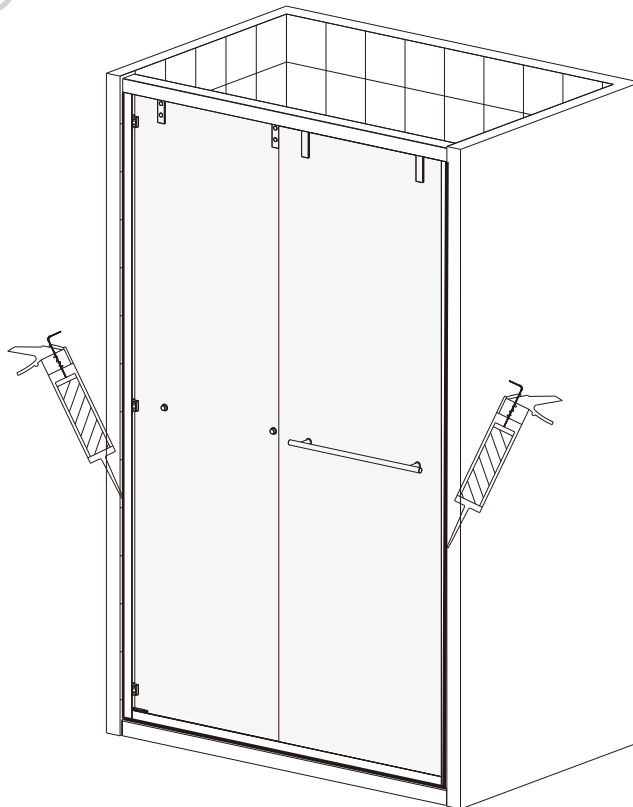
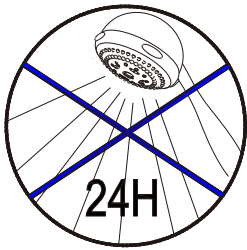
-Mount the handles 6DS07(2x) on the door panel using hex key 6DS15.



11.



- Apply silicone sealant to the outside of the enclosure.
Please note: Do not apply silicone sealant to the inside of the enclosure.



Cleaning and Maintenance:

Please do not use abrasive or strong cleaning solution on the shower enclosure, such as alcohol, petroleum liquids or any other chemical cleaner with acidic contents.

Should there be any dirty stains on the shower enclosure, please clean it with a soft lint free cloth and warm soapy water. Please rinse it with clean water afterwards.

After the installation is complete, if there is any noise during glass door movement, please add a small quantity of lubricant onto the roller wheel, bottom guide and track where applicable.

After installation is complete and you are still encountering problems with your enclosure, our sales technicians will be happy to assist.

Technical and Customer Support: 800.480.6850