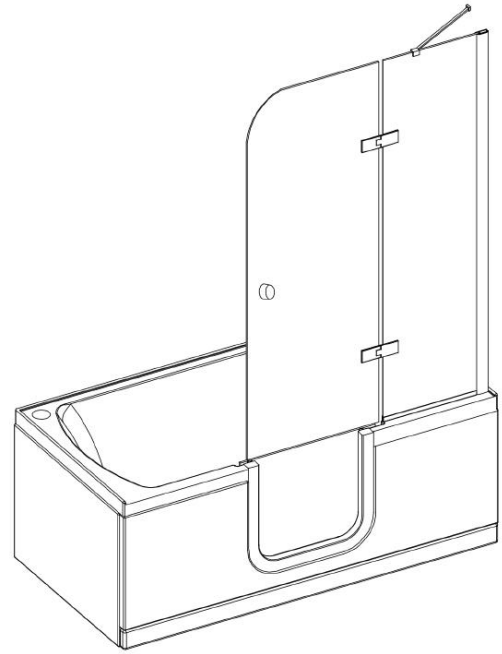


LA3060AS-L



LA3060AS-R

Included Features

1. Acrylic Tub Shell:
 - High quality acrylic
 - Excellent color uniformity
 - High Gloss White Finish
2. Stainless Steel Frame with Adjustable Leveling Legs
3. Inward Swing Glass Door
4. Shower Screen Glass Door

Included Jetting

- Air Massage System 4.5AMP 486W
- 20 Therapeutic Air Massage Jets
 - Variable 3-Speed Control
 - Push Control
 - Autopurge

Warranty

5 year parts warranty
(please visit www.ellasbubbles.com
for more detailed information)

