

Front Entry

Actual Size: 32x40x42

Seat Width: 24 inches

Shipping Size: 34x43x50

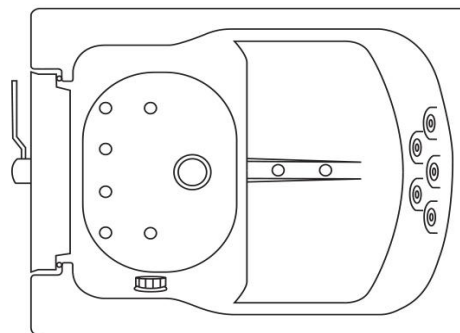
Shipping Weight: 280 lbs.

Net Weight: 200 lbs.

Water Capacity: 70 gal.

Occupied: 25-55 gal.

Drainage Time: +/- 140 sec at ideal home plumbing conditions (occupied)



Included Features

1. Acrylic Tub Shell:
 - High Gloss White Finish
 - Fiberglass Gelcoat Reinforced
2. Stainless Steel Frame with Adjustable Leveling Legs
3. Plastic composite tempered glass outward swing door with a 3 latch gear and shaft door mechanism
4. Two (2) side panels

Floor Drains

1. One (1) 2" PVC T-type two (2) outlet drain with endcap; one (1) overflow and cable operated opener with extended handle for easier grip in chrome finish

Jetting Options

1. Hydro Massage System
 - Hydro Massage Pump 5AMP 600W
 - Hydro massage intensity dial air control
 - In-line water heater 5.5AMP 650W
 - Ozone Sterilization
 - 13 jets
 - On/Off push control
2. Air Massage System
 - Air Massage Pump 4.5AMP 486W
 - 3 Speed Pump
 - Auto-purge (Activates 20 minutes after pump shutdown)
 - 16 jets
 - On/Off push control
3. MicroBubble Therapy System
 - 1HP Pump 10AMP 1200W
 - Pressure Vessel
 - On/Off Push Control

Available Packages

1. Dual Jetting (Air + Hydro)
2. Hydro Massage
3. Hydro Massage + Microbubble
4. Soaking (No LED)

Optional Features

1. Heated Seat and Backrest 4AMP 470W
2. Aromatherapy
3. Digital Controller

Faucet

Two-Piece Fast Fill Faucet Set

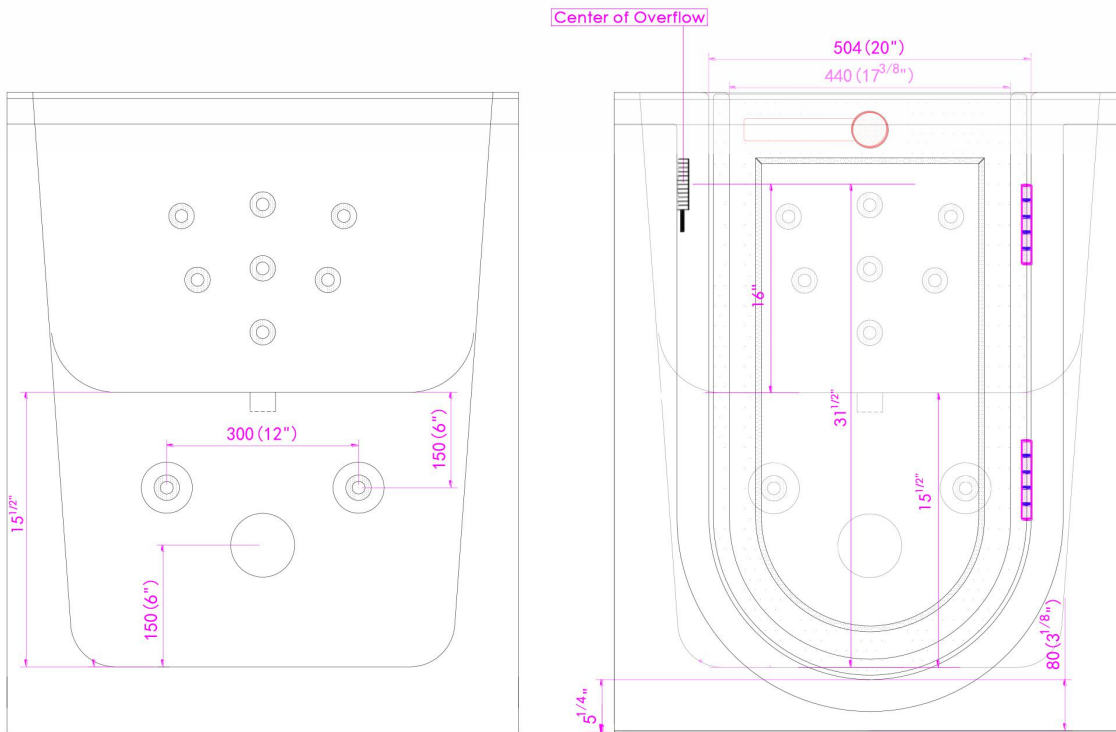
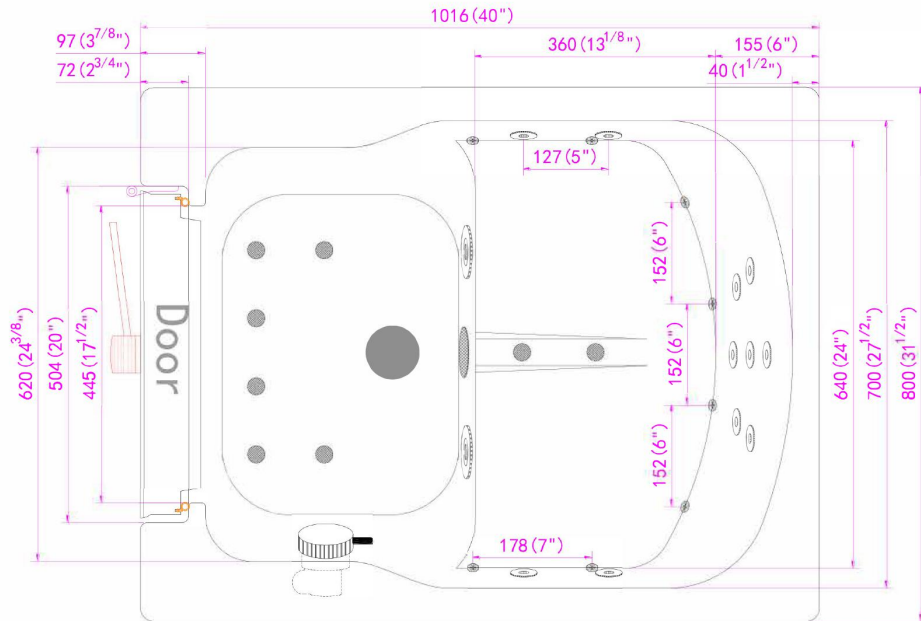
- Up to 16 GPM @ 60 PSI at ideal in home plumbing conditions
- Two (2) 5' Supply lines with 3/4" connectors
- Pull out, hand held, chrome plated hand shower with 5 ft. retractable stainless steel braided hose

Electrical Requirements:

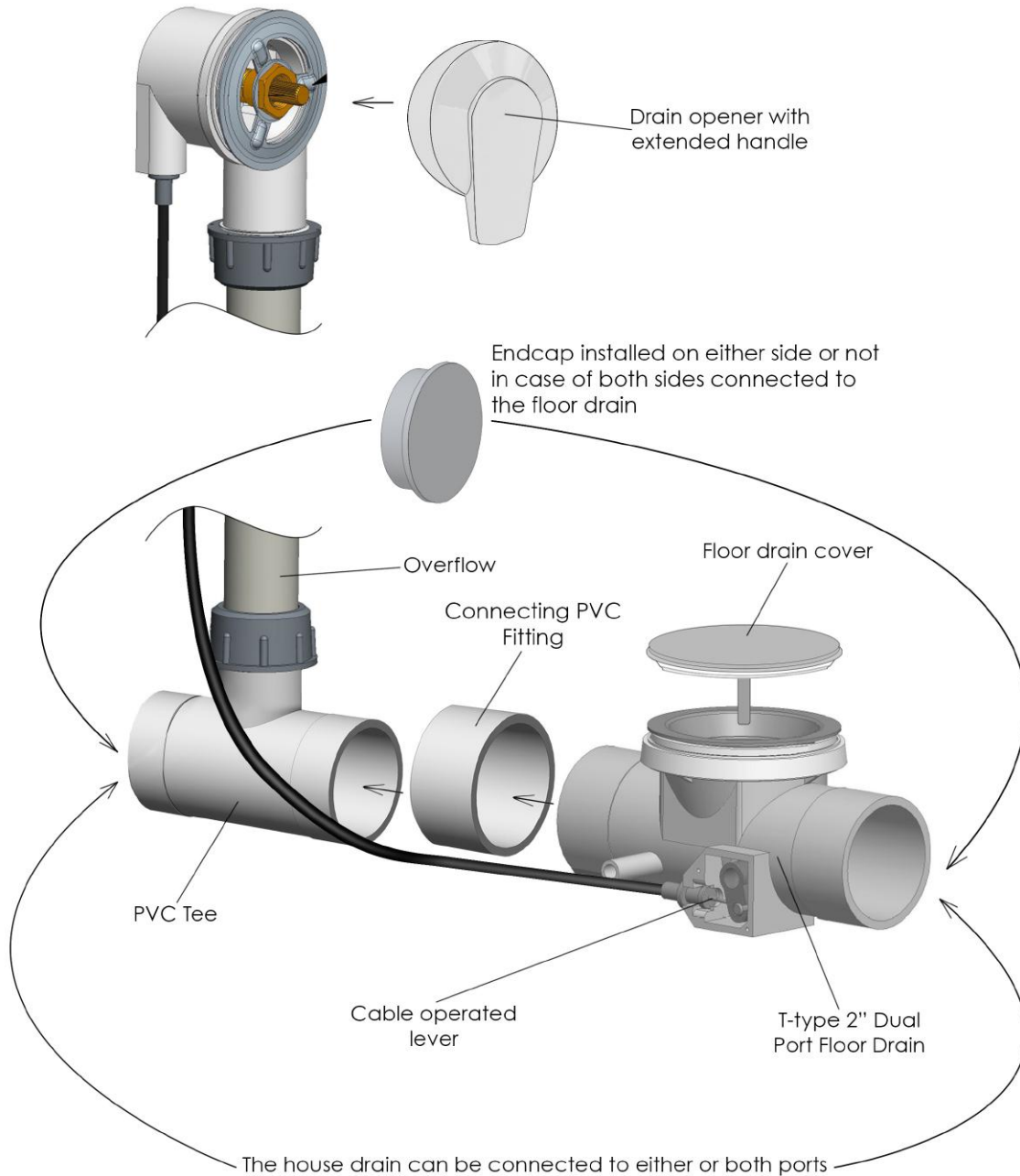
Dedicated GFCI protected electrical line/s required.

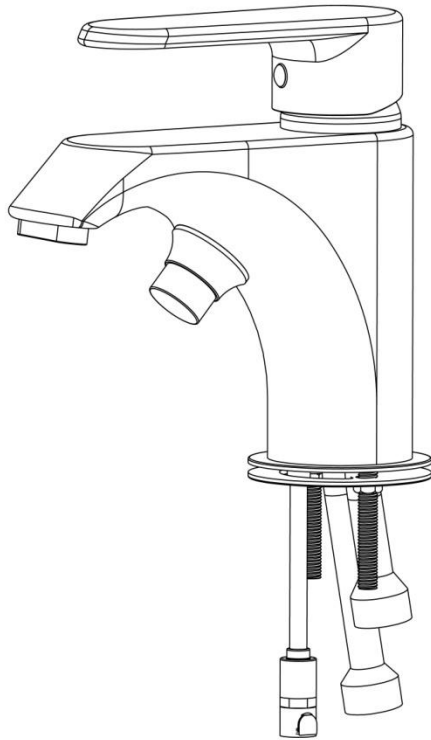
Warranty

- Lifetime limited* warranty on shell, frame, door and parts to original purchaser
- Labor or installation is not covered – please refer to Ella warranty certificate
- Thermostatic control valve faucet is covered for 1 year due to water quality
- Non-Ella brand faucets covered under manufacturers original warranty



Dual Drain - two (2) independent floor drains





Material: Brass in Chrome Finish

G.W: 7.75 kg / 17 lbs.

NOTE: THIS FAUCET IS DESIGNED TO BE INSTALLED THRU:

- 2-1/2" DIA. HOLE FOR FAUCET
- 1/3" DIA. HOLE FOR MOUNTING RODS
- 7/8" DIA. HOLE FOR HAND SHOWER

OPERATION

- Pivot action lever style handle
- Temperature controlled through 180° degree arc of handle travel

DESCRIPTION

- Metal construction single lever high flow bath valve
- 3/4" IPS connections
- Includes hand shower with diverter button

FLOW

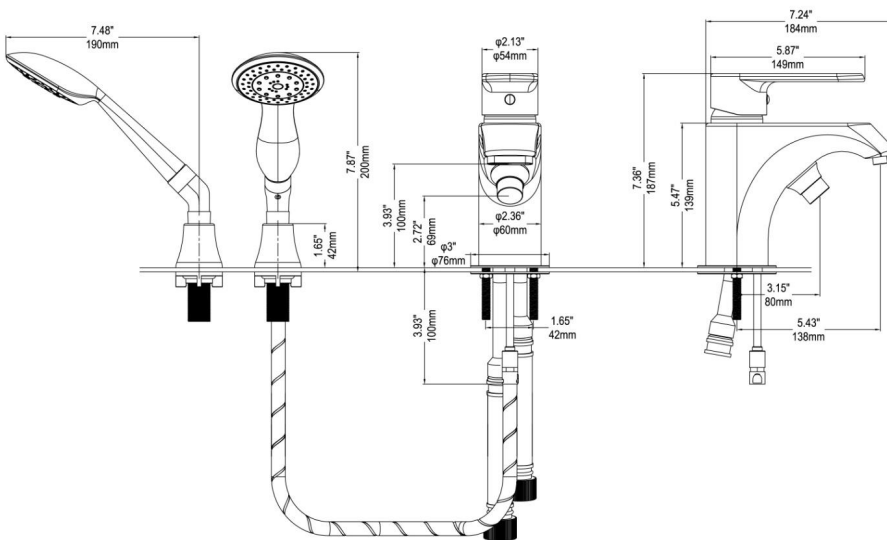
- Hand shower is limited to 1.9 gpm(7.5L/min)
- Faucet fill rate designed for 18gpm (68.1L/min) flow.

CARTRIDGE

- 40mm high flow cartridge design
- Nonmetallic/nonferrous and stainless steel material

STANDARDS

- Third party certified to meet: CSA B-125.1, ASME A112.18.1, ICC 117.1 and all applicable requirements referenced therein
- Certified to ANSI/NSF 61/9
- ADA for lever handle
- IAPMO R&T UPC certified



Two 3/4" connector water supply lines included with Ella Fast Fill Faucets.



Connect to Shut
Off Valves
(not included)



All electrical
fixtures connect
to a dedicated
GFCI protected
outlet.



T-Type four (4) 2" drain ports
allow for the drain pipe to be
installed in either direction.

Use drain cap to
close unused
drain port.

