



Ella 2 Piece Single Lever Fast-Fill Faucet

Description

Solid brass spout chrome finish single lever high flow bathtub faucet with diverter button Two (2) 3/4" 5' braided stainless-steel supply lines Pull out hand shower mixer with 5 settings and 5' braided hose in chrome finish

Flow

- Hand shower is limited to 1.9 GPM (7.5L/min)
- Faucet fill rate designed for 18 GPM (68.1L/min)

Cartridge

- 40mm high flow cartridge design
- Nonmetallic/nonferrous and stainless-steel material

Standards

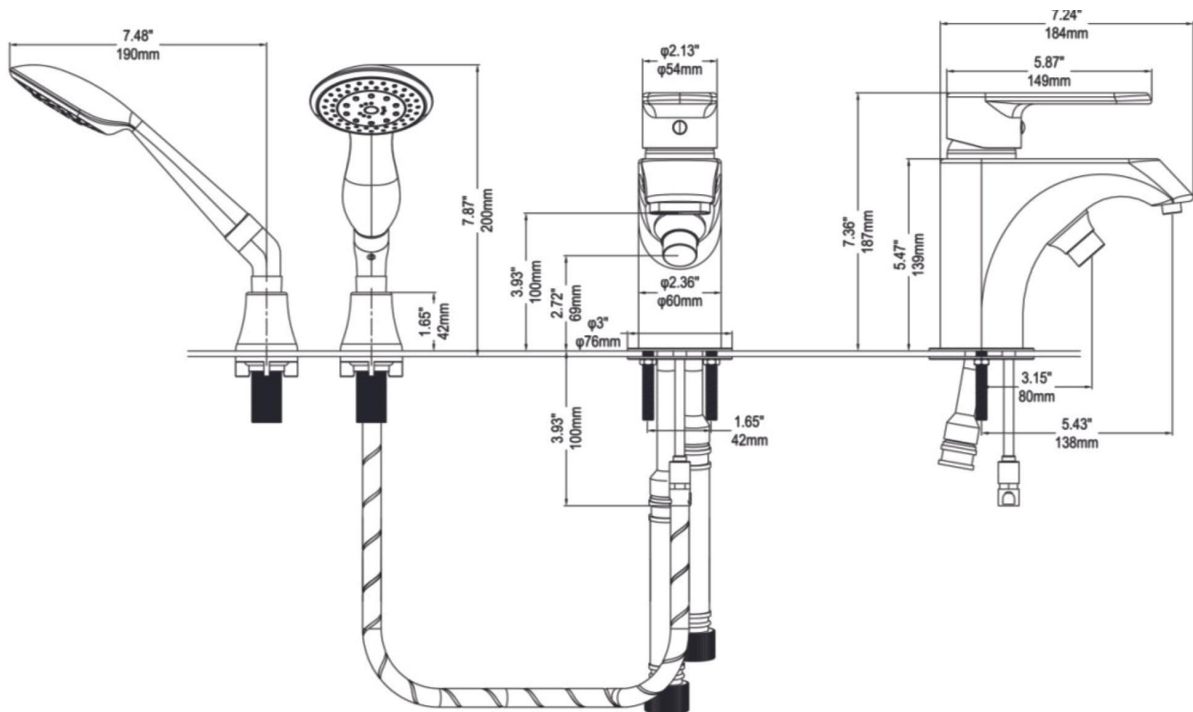
Certified to meet:

- CSA B-125.1, ASME A112.18.1, ICC 117.1
- Certified to ANSI/NSF 61/9
- ADA for lever handle
- IAPMO R&T UPC certified



NOTE: This faucet is designed to be installed through:

- G.W: 7.75 kg/ 17 lbs.
- 2-1/2" dia. hole for faucet
- 1/3" dia. hole for mounting rods
- 7/8" dia. hole for hand shower



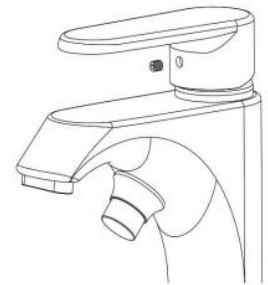
Replacing A Valve Cartridge

Step-by-step Instructions to replace a valve cartridge for Ella 2-piece faucets.

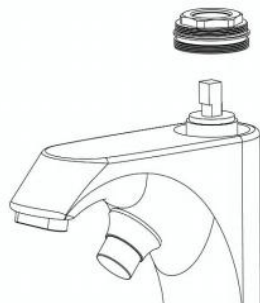
Step.1 Remove the Hot/Cold screw hole cover.



Step.2 Use an Allen wrench to remove the handle Screw.



Step.3 Take out the handle and remove the brass escutcheon



Step.4 Use a wrench to unscrew the pressure cap.



Step.5 Remove the cartridge and replace it with new piece.

