

Actual Size: 28" W x 48" L x 36.5" H

71.12cm W x 121.92cm L x 92.71cm H

Seat Width: 20 inches 50.8cm

Seat Length: 13 inches 33.02cm

Shipping Size: 32x54x49

Shipping Weight: 310 lbs.

Net Weight: 210 lbs.

Water Capacity: 65 gal.

Occupied: 30-50 gal.



Product Features

Jetting System

1. Hydro Massage System

- Hydro Massage Pump 8.1AMP 900W
- Hydro massage intensity dial air control
- In-line water heater 6AMP 650W
- 16 jets
- Push control

Faucet

2-Piece Fast Fill Faucet Set

- Up to 18 GPM @ 60 PSI at ideal in home plumbing conditions
- Two (2) 5' Supply lines with 3/4" connectors
- Pull out, hand held, chrome plated hand shower with 5 ft. retractable stainless steel braided hose

Included Features

1. Acrylic Tub Shell:
 - Gloss White Finish
 - Fiberglass Gel Coat Reinforced
2. Stainless Steel Frame with Adjustable Leveling Legs
3. Inward swing acrylic S-shape door
4. (1) Removable Front Apron
5. Removable End Panel (Covering Faucet)
6. (1) Extension panel, filler for 60" alcove installations

Optional Features

Heated Seat and Backrest 4 AMP

Electrical Requirements:

One (1) dedicated 110/120V 60HZ electrical line with a 15AMP GFCI standard three prong outlet is required

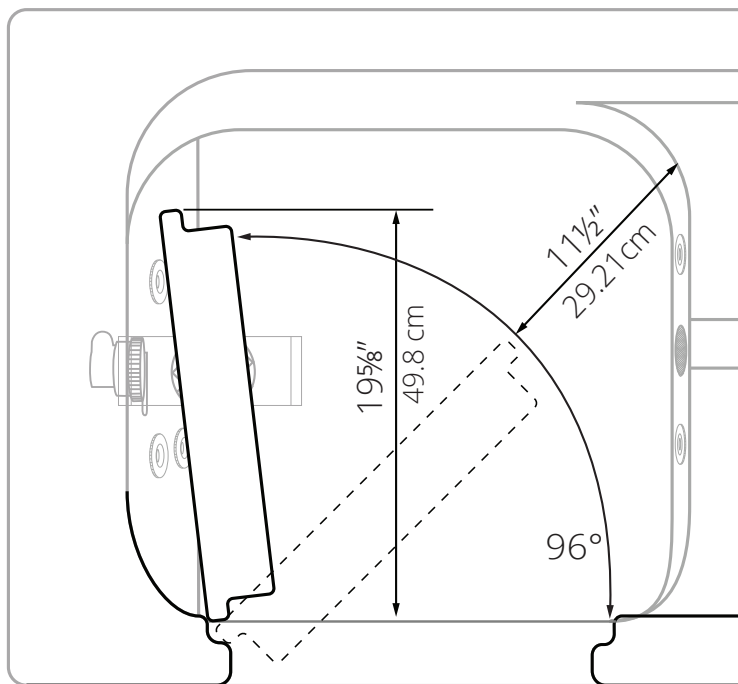
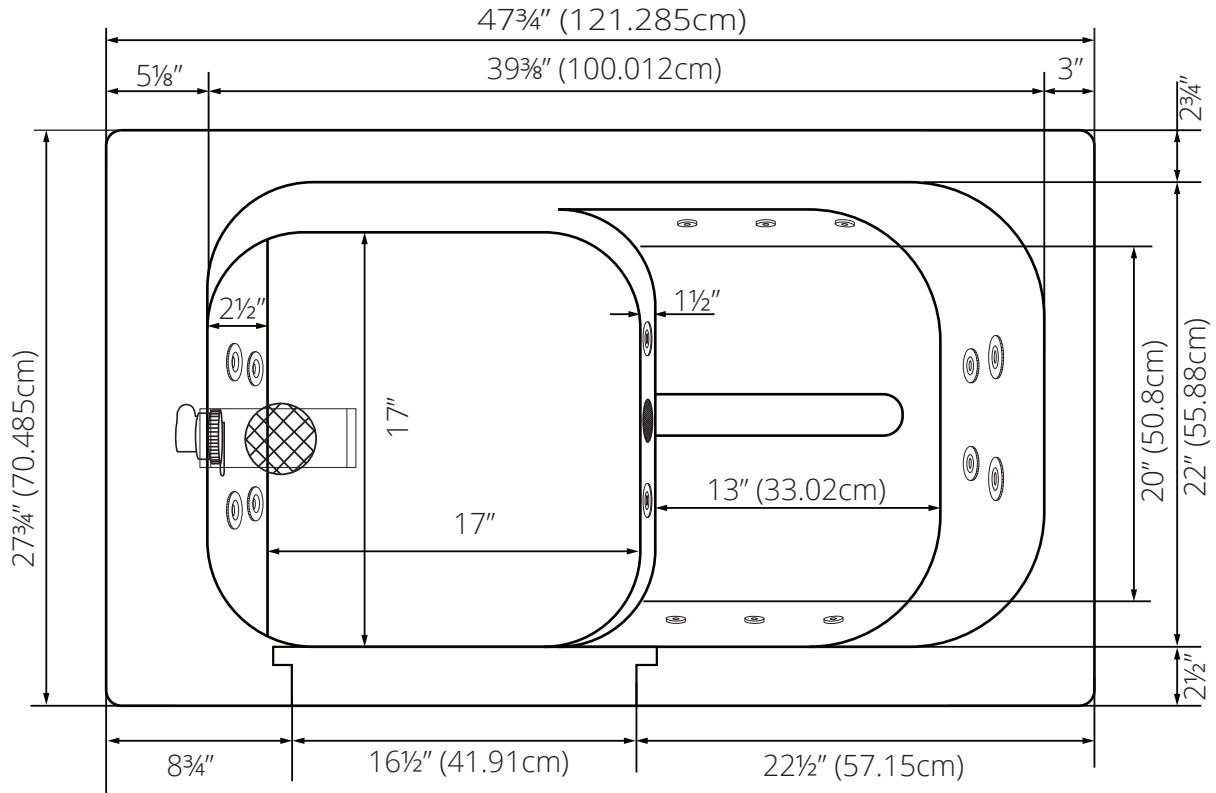
Floor Drains

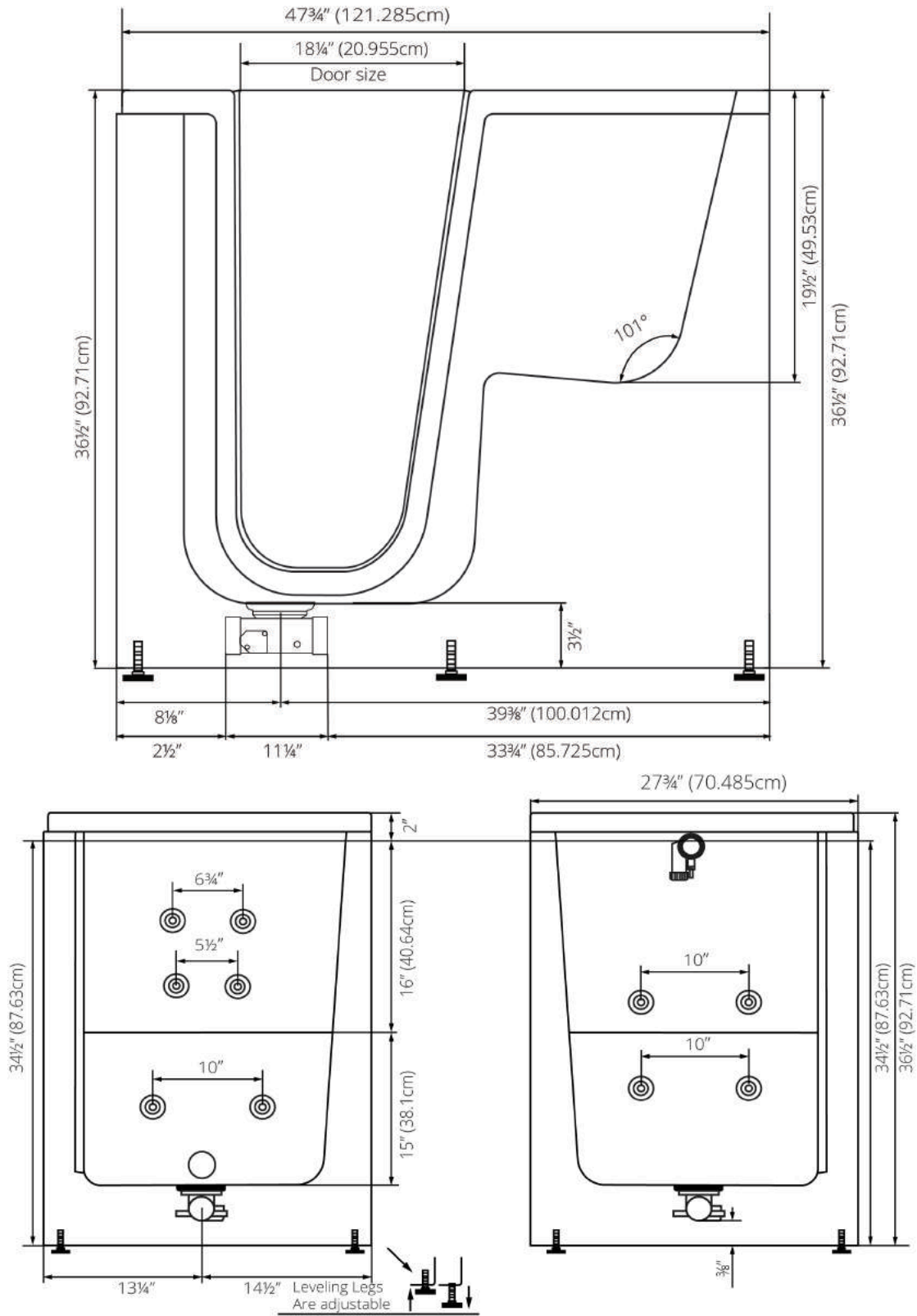
One (1) 2" PVC Drain and one

(1) overflow and emergency pull-up chain

Warranty

- Lifetime limited* warranty on parts to original purchaser (Shipping not Included)
- Labor or installation is not covered – please refer to Ella warranty certificate
- Non-Ella brand faucets covered under manufacturers original warranty





Two 3/4" connector water supply lines included with Ella Fast Fill Faucets
Connect to Shut Off Valves (not included)



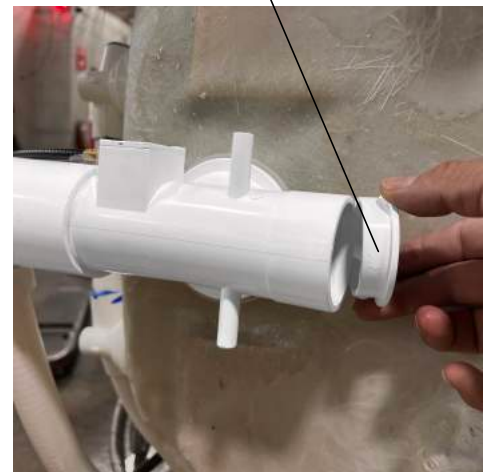
All electrical fixtures connect to a dedicated GFCI protected outlet or GFCI protected Circuit Breaker.



Images below show examples of PVC pipe connections (not included). Reducers can be used to connect smaller drain pipes.

T-Type four (4) 2" drain ports allow for the drain pipe to be installed in either direction.

Drain Caps Installed On Either Side Of The Drain unused Port.



Description

Solid brass spout chrome finish single lever high flow bathtub faucet with diverter button Two (2) 3/4" 5' braided stainless- steel supply lines. Pull out hand shower mixer with back-flow prevention valve 5 settings and 5' braided hose in a Chrome or Brushed Nickel finish.

Flow

- Hand shower is limited to 1.9 GPM (7.5L/min)
- Faucet fill rate designed for 16 GPM (68.1L/min)

Cartridge

- 40mm high flow cartridge design
- Nonmetallic/nonferrous and stainless-steel material

Standards

- Third party certified to meet: CSA B125.1, ASMEA112.18.1, ICC117.1 and all applicable requirements referenced therein
- Certified to ANSI/NSF 61/9
- ADA for lever/handle
- IAPMO R&T UPC certified



NOTE: This faucet is designed to be installed through 2-1/2" diameter hole for faucet, 1/3" diameter hole for mounting rods, and a 7/8" diagonal hole for the hand shower.

